



Chipsmall Limited consists of a professional team with an average of over 10 year of expertise in the distribution of electronic components. Based in Hongkong, we have already established firm and mutual-benefit business relationships with customers from,Europe,America and south Asia,supplying obsolete and hard-to-find components to meet their specific needs.

With the principle of “Quality Parts,Customers Priority,Honest Operation,and Considerate Service”,our business mainly focus on the distribution of electronic components. Line cards we deal with include Microchip,ALPS,ROHM,Xilinx,Pulse,ON,Everlight and Freescale. Main products comprise IC,Modules,Potentiometer,IC Socket,Relay,Connector.Our parts cover such applications as commercial,industrial, and automotives areas.

We are looking forward to setting up business relationship with you and hope to provide you with the best service and solution. Let us make a better world for our industry!



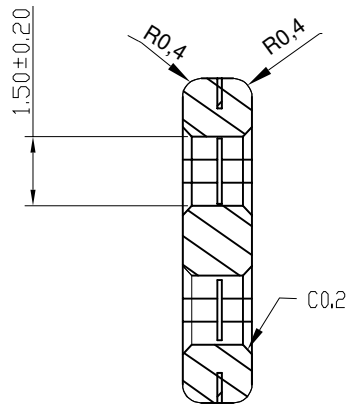
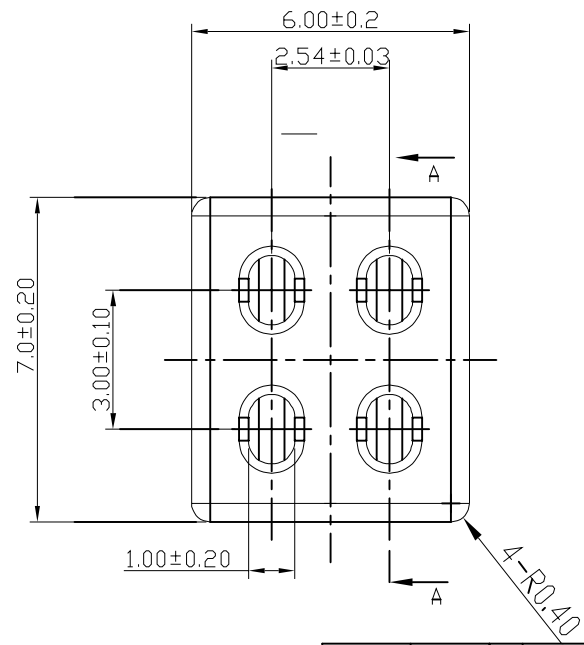
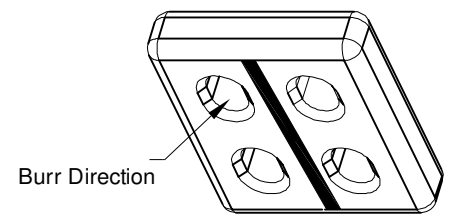
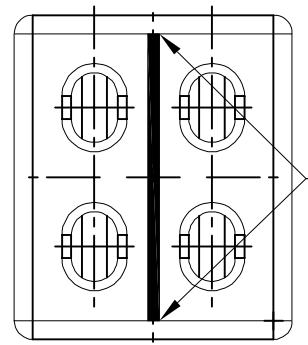
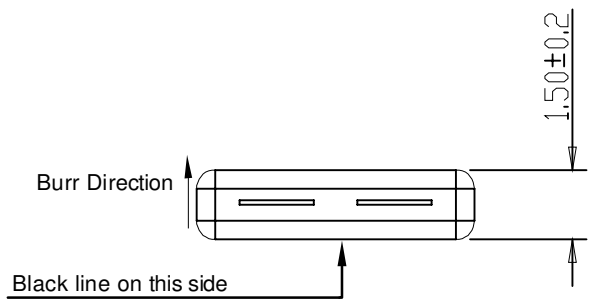
Contact us

Tel: +86-755-8981 8866 Fax: +86-755-8427 6832

Email & Skype: info@chipsmall.com Web: www.chipsmall.com

Address: A1208, Overseas Decoration Building, #122 Zhenhua RD., Futian, Shenzhen, China





Technical Data:
 Terminal : C5191 R-H, Gold Flash
 Insulator : TPE(Gray White, RAL 9002)

Mechanical:
 Operating temperatures: 100°C
 Hardness Shore: 70A±5

Technical Specification:
 Rated current: 5 A (RT)
 Nominal voltage: 50 VAC / 120 VDC
 AC Test voltage: 500 V
 ① Operating temperature: -50 to 100°C
 Mating cycles: min. 3
 Pitch: 2,54mm
 Contact resistance: < 10mOhm
 Contact material: Bronze, gold flash plated
 Push-on force: ~4-5 N/contact
 Withdrawal force: ~2-3 N/contact
 Degree of protection: IP 00
 Insulation body: TPE
 Flammability category: UL 94 V-0
 Shore Hardness: 70A +5

Packing : Bulk (1250 pcs/bag)

RoHS compliant
 Unit:mm

Scale	Free						Date	Name	Customer-No.
TOLERANCE						Drawn	28.05.2013	Winnie	
X.	±0.50					Approved	28.05.2013	Winnie	ASSMANN WSW-No. ABTB-300-040B
X.X	±0.30								Drawing-No.
X.XX	±0.20								
X.XXX	±0.15	①	updated of technical specification	14.08.2013	A. Plate				
DIM	TOL								
Angle	±5°	②	Drawn	28.05.2013	Winnie				
		Id.	Modification	Date	Name				

ASS 5718 CO rev01
 SHEET 1