



Chipsmall Limited consists of a professional team with an average of over 10 year of expertise in the distribution of electronic components. Based in Hongkong, we have already established firm and mutual-benefit business relationships with customers from,Europe,America and south Asia,supplying obsolete and hard-to-find components to meet their specific needs.

With the principle of “Quality Parts,Customers Priority,Honest Operation,and Considerate Service”,our business mainly focus on the distribution of electronic components. Line cards we deal with include Microchip,ALPS,ROHM,Xilinx,Pulse,ON,Everlight and Freescale. Main products comprise IC,Modules,Potentiometer,IC Socket,Relay,Connector.Our parts cover such applications as commercial,industrial, and automotives areas.

We are looking forward to setting up business relationship with you and hope to provide you with the best service and solution. Let us make a better world for our industry!



Contact us

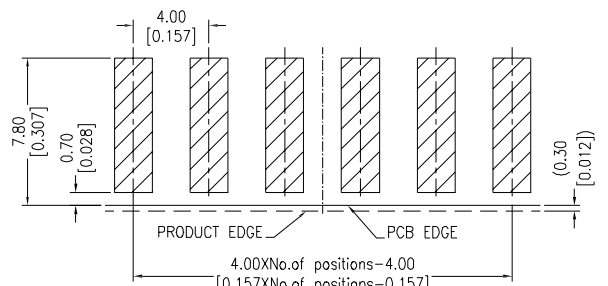
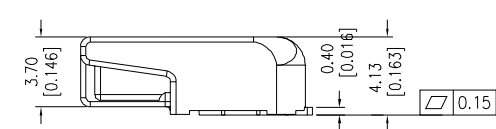
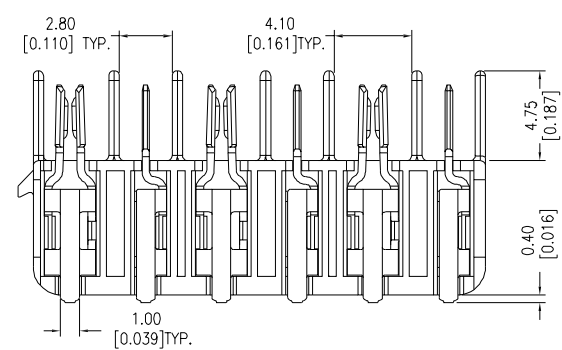
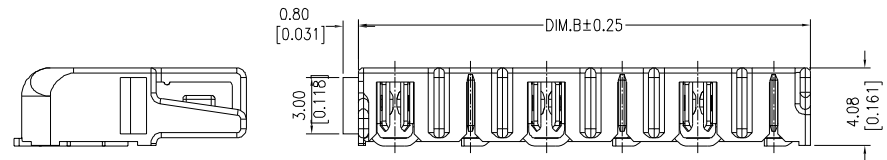
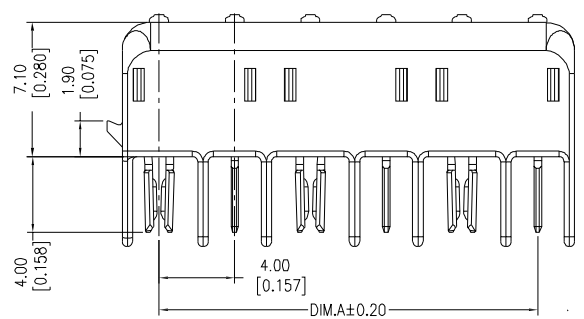
Tel: +86-755-8981 8866 Fax: +86-755-8427 6832

Email & Skype: info@chipsmall.com Web: www.chipsmall.com

Address: A1208, Overseas Decoration Building, #122 Zhenhua RD., Futian, Shenzhen, China



A
B
C
D
E
F
G
H



Recommended P.C.B Layout (Top Side)
(PCB BOARD TOLERANCE ± 0.05)

Notes:
 Rated current: 6AMP
 Contact resistance: 18MΩ max.
 Withstand voltage: 1500V AC/DC
 Insulation resistance: 1000MΩ min.
 Operation temperature: -40°C to +105°C
 ③ Solder Temperature: 260°C, 5s
 Contact material: Phosphor Bronze
 ③ Contact plating: 100~200u" Matte Tin plated over 50u" Nickel
 ① Insulator material: LCP+30%G.F UL94V-0

② ABTB-400-xx-SRx
 1 = white insulator
 2 = black insulator
 xx = pin count

No. Of PIN	DIM.A	DIM.B
02	4.00	7.90
04	12.00	15.90
06	20.00	23.90

RoHS compliant
Unit: mm



File No.: E198287

Scale	Free					Date	Name	Customer-No.
TOLERANCE		④	Add the UL File No.	27.07.2017	Winnie	Drawn	28.01.2016	Ray
.X	±0.40	③	Add and modify note	17.08.2016	Ray	Approved	27.07.2017	Winnie
.XX	±0.25	②	Add black color part	25.05.2016	Ray			
.XXX	±0.15	①	Update the insulator color	13.04.2016	Ray			
DIM	TOL	①	Update the insulator color	13.04.2016	Ray			
Angle	±1.5°	①	Drawn	28.01.2016	Ray			
		①	Drawn	28.01.2016	Ray			
		Id.	Modification	Date	Name			



Customer-No.	
ASSMANN WSW-No. ② ABTB-400-xx-SRx	
Drawing-No.	rev04
ASS 7120 CO	Sheet
Replace	Sheet