



Chipsmall Limited consists of a professional team with an average of over 10 year of expertise in the distribution of electronic components. Based in Hongkong, we have already established firm and mutual-benefit business relationships with customers from,Europe,America and south Asia,supplying obsolete and hard-to-find components to meet their specific needs.

With the principle of "Quality Parts,Customers Priority,Honest Operation,and Considerate Service",our business mainly focus on the distribution of electronic components. Line cards we deal with include Microchip,ALPS,ROHM,Xilinx,Pulse,ON,Everlight and Freescale. Main products comprise IC,Modules,Potentiometer,IC Socket,Relay,Connector.Our parts cover such applications as commercial,industrial, and automotives areas.

We are looking forward to setting up business relationship with you and hope to provide you with the best service and solution. Let us make a better world for our industry!



Contact us

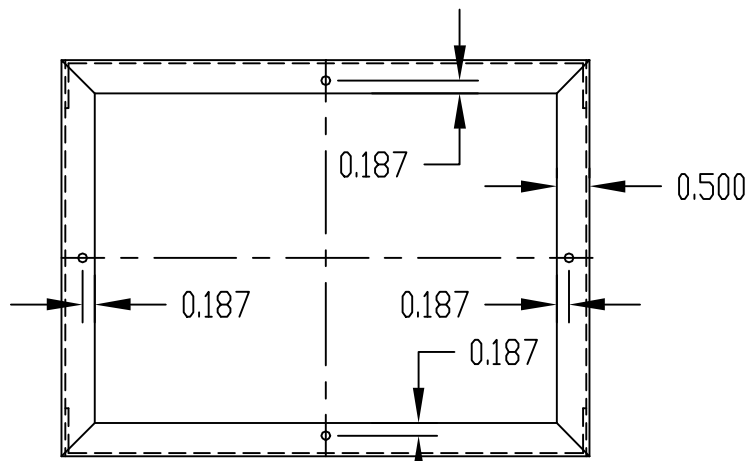
Tel: +86-755-8981 8866 Fax: +86-755-8427 6832

Email & Skype: info@chipsmall.com Web: www.chipsmall.com

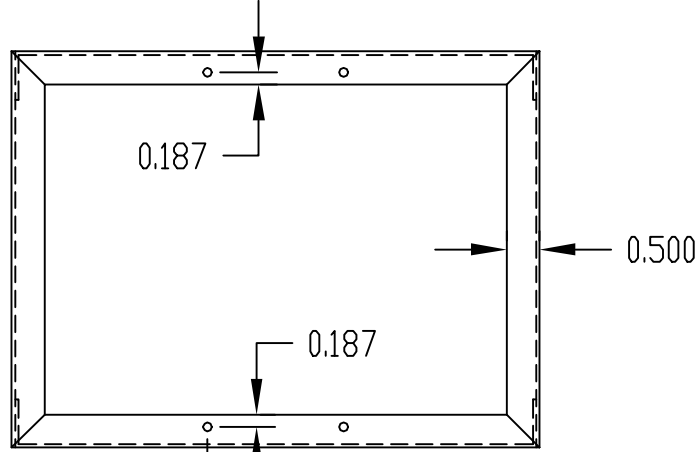
Address: A1208, Overseas Decoration Building, #122 Zhenhua RD., Futian, Shenzhen, China



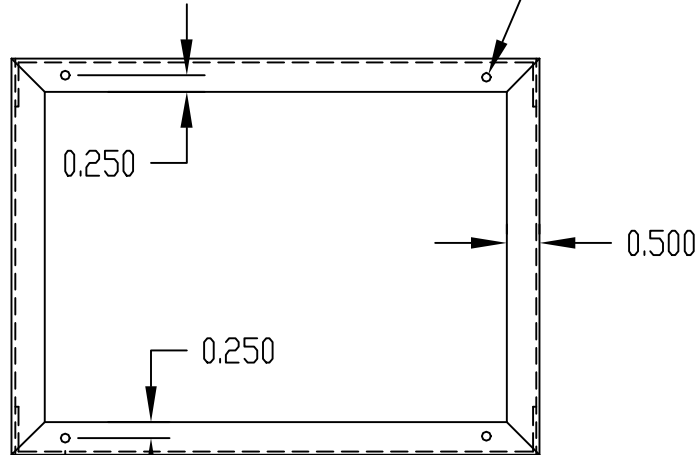
PART NAME	ALUMINUM CHASSIS	PART No.	AC-401 THRU AC-1431	REV. DATE	9-23-09
-----------	------------------	----------	---------------------	-----------	---------



TYPE A

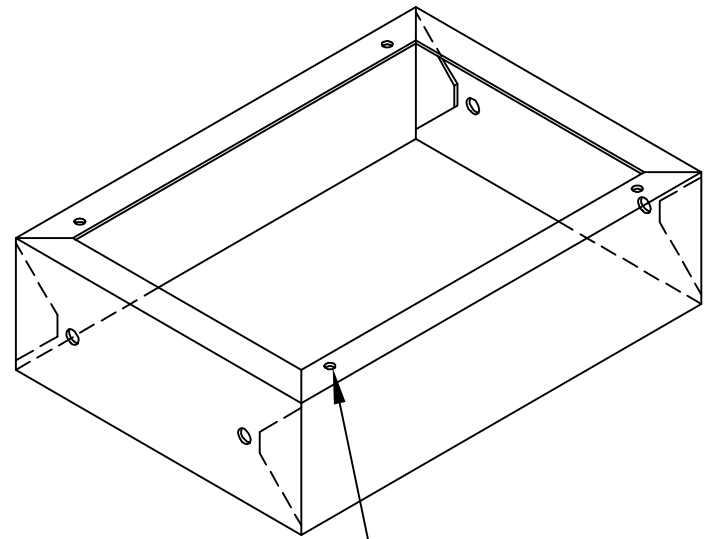


TYPE B

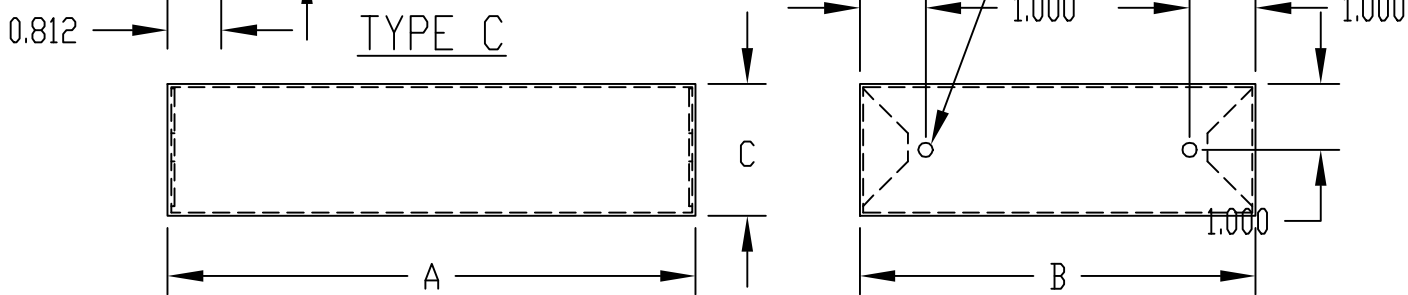
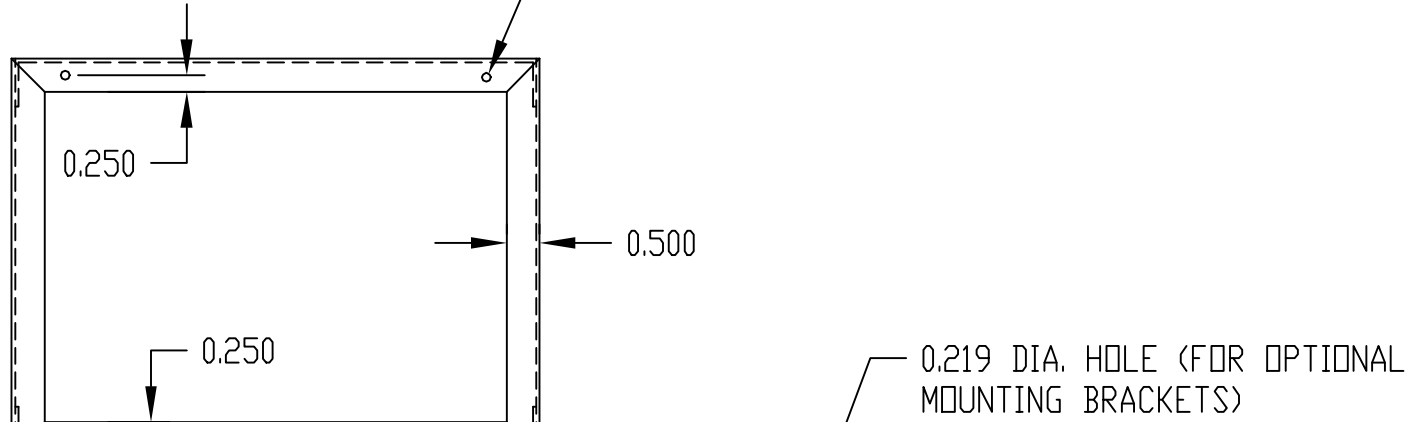
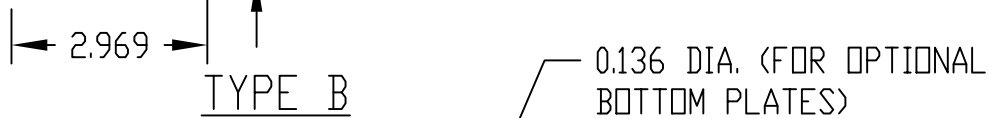


TYPE C

MATERIAL:
ALUMINUM
FINISH:
NATURAL



Holes ACCEPT SIZE #8 SHEETMETAL SCREWS



* HOLES FOR MOUNTING BRACKET PROVIDED.

PART No.	A	B	C	TYPE	GAUGE	WT. (#)	PART No.	A	B	C	TYPE	GAUGE	WT. (#)
AC-401	9.500	5.000	2.500	C	0.040	0.500	AC-429	7.000	5.000	3.000	A	0.040	0.500
AC-402	7.000	5.000	2.000	A	0.040	0.333	AC-430	6.000	4.000	3.000	C	0.040	0.333
AC-403	9.500	5.000	2.000	C	0.040	0.500	AC-431	6.000	4.000	2.000	C	0.040	0.250
AC-404	10.000	5.000	3.000	A	0.040	0.625	AC-433	17.000	6.000	3.000	B	0.050	1.250
AC-405	7.000	7.000	2.000	A	0.040	0.500	AC-1402	4.500	3.500	1.000	C	0.040	0.125
AC-406	9.000	7.000	2.000	A	0.040	0.500	AC-1404	5.000	4.000	2.000	C	0.040	0.250
AC-407	11.000	7.000	2.000	B	0.040	0.625	AC-1405	6.000	4.000	1.500	C	0.040	0.250
AC-408	12.000	7.000	3.000	B	0.040	0.875	AC-1407	8.000	4.500	1.500	C	0.040	0.250
AC-409	13.000	7.000	2.000	B	0.040	0.750	AC-1413	8.000	6.000	2.000	A	0.040	0.333
AC-411	15.000	7.000	3.000	B	0.050	1.250	AC-1414	14.000	6.000	3.000	B	0.050	1.125
AC-412*	17.000	8.000	3.000	B	0.050	1.750	AC-1416	17.000	7.000	2.000	B	0.050	1.125
AC-413	12.000	10.000	3.000	B	0.050	1.250	AC-1418	10.000	8.000	2.500	B	0.040	1.000
AC-414	14.000	10.000	3.000	B	0.050	1.500	AC-1419	12.000	8.000	2.500	B	0.050	1.125
AC-415*	17.000	10.000	2.000	B	0.050	1.500	AC-1421	15.000	9.000	3.000	B	0.050	1.500
AC-416*	17.000	10.000	3.000	B	0.050	1.750	AC-1422	17.000	10.000	5.000	B	0.050	2.250
AC-418*	17.000	12.000	3.000	B	0.050	2.250	AC-1424	12.000	12.000	3.000	A	0.050	1.500
AC-419*	17.000	13.000	2.000	B	0.050	2.625	AC-1426	17.000	13.000	5.000	B	0.050	3.500
AC-420*	17.000	13.000	3.000	B	0.050	2.750	AC-1427	17.000	14.000	3.000	B	0.050	2.750
AC-421	9.500	5.000	3.000	C	0.040	0.625	AC-1428	17.000	15.000	4.000	A	0.050	3.250
AC-423	17.000	7.000	3.000	B	0.050	1.500	AC-1429	17.000	15.000	6.000	A	0.050	4.125
AC-424	12.000	8.000	3.000	B	0.050	1.250	AC-1430	17.000	17.000	3.000	A	0.050	3.250
AC-427*	17.000	10.000	4.000	B	0.050	2.500	AC-1431	17.000	17.000	4.000	A	0.050	3.875
AC-428*	17.000	13.000	4.000	B	0.050	3.250							