



Chipsmall Limited consists of a professional team with an average of over 10 year of expertise in the distribution of electronic components. Based in Hongkong, we have already established firm and mutual-benefit business relationships with customers from,Europe,America and south Asia,supplying obsolete and hard-to-find components to meet their specific needs.

With the principle of “Quality Parts,Customers Priority,Honest Operation,and Considerate Service”,our business mainly focus on the distribution of electronic components. Line cards we deal with include Microchip,ALPS,ROHM,Xilinx,Pulse,ON,Everlight and Freescale. Main products comprise IC,Modules,Potentiometer,IC Socket,Relay,Connector.Our parts cover such applications as commercial,industrial, and automotives areas.

We are looking forward to setting up business relationship with you and hope to provide you with the best service and solution. Let us make a better world for our industry!



## Contact us

Tel: +86-755-8981 8866 Fax: +86-755-8427 6832

Email & Skype: info@chipsmall.com Web: www.chipsmall.com

Address: A1208, Overseas Decoration Building, #122 Zhenhua RD., Futian, Shenzhen, China



## AC Series • Current Transformer Quick Reference Guide

### Low Cost 50/60Hz Current Transformers

#### Applications

- Sensing Overload Current
- Ground fault detection
- Metering
- Analog to Digital Circuits

#### Features

- Excellent quality at extremely competitive price due to high volume production
- Manufactured in an ISO 9001:2008, ISO/TS 16949:2009 and ISO 14001:2004 certified Talema facility
- Fully RoHS & REACH Compliant

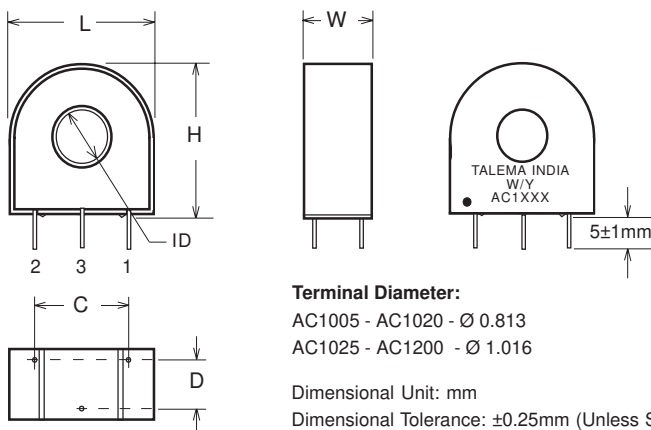


### Electrical Specifications at 20°C

#### AC Series • Standard Accuracy Current Transformers

Part No.	I <sub>p</sub> Amps	Turns Ratio	Terminating Resistor		DCR (Ohms) Nominal	RCF @ 10%	Volts/Amp @ rated I <sub>p</sub> for various loads (Ohms)				lex μArms	Vex Vrms	Net Weight (grams)	Case Dimensions - mm					
			Ohms	Watt			100	500	2K	5K				L	ID	H	W	C	D
AC1005	5	1000:1	100	0.0025	41.80	1.010	0.10	0.46	1.43	2.01	237	0.66	16.3	23.80	9.50	23.80	11.12	15.24	7.62
AC1010	10	1000:1	100	0.0100	41.80	1.010	0.10	0.45	1.10	1.42	386	1.32	16.3	23.80	9.50	23.80	11.12	15.24	7.62
AC1015	15	1000:1	100	0.0230	41.80	1.010	0.10	0.45	0.90	1.12	513	1.99	16.3	23.80	9.50	23.80	11.12	15.24	7.62
AC1020	20	1000:1	100	0.0400	41.80	1.010	0.10	0.43	0.76	0.93	628	2.65	16.3	23.80	9.50	23.80	11.12	15.24	7.62
AC1025	25	1000:1	100	0.0630	48.00	1.020	0.10	0.47	1.06	1.31	566	3.65	35.5	30.20	11.40	30.20	14.30	20.32	10.16
AC1030	30	1000:1	100	0.0900	48.00	1.020	0.10	0.47	0.95	1.16	644	4.38	35.5	30.20	11.40	30.20	14.30	20.32	10.16
AC1040	40	1000:1	100	0.1600	49.30	1.026	0.10	0.46	0.87	1.05	914	5.82	47.3	34.90	14.60	34.90	14.30	25.40	10.16
AC1050	50	1000:1	100	0.2500	49.30	1.026	0.10	0.43	0.76	0.90	1090	7.28	47.3	34.90	14.60	34.90	14.30	25.40	10.16
AC1060	60	1000:1	100	0.3600	24.00	1.001	0.10	0.44	0.66	0.76	1250	7.41	65.2	38.10	14.60	38.10	15.90	33.00	10.16
AC1075	75	1000:1	100	0.5700	24.00	1.001	0.10	0.39	0.57	0.65	1520	9.26	65.2	38.10	14.60	38.10	15.90	33.00	10.16
AC1100	100	1000:1	100	1.0000	21.30	1.001	0.10	0.34	0.50	0.56	1740	12.00	80.0	44.50	19.05	44.50	14.30	35.56	10.16
AC1150	150	1000:1	100	2.2500	11.00	1.002	0.10	0.37	0.50	0.55	1820	16.60	150.0	55.60	23.80	55.60	20.60	45.72	12.70
AC1200	200	1000:1	100	4.0000	11.00	1.002	0.10	0.31	0.41	0.45	2340	22.20	150.0	55.60	23.80	55.60	20.60	45.72	12.70

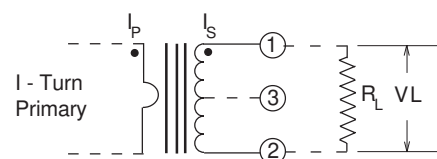
#### Mechanical Drawing



I<sub>p</sub> : Primary Current  
 R<sub>L</sub> : Terminating Resistor  
 RCF : Ratio correction factor - Multiply current readings by this factor to compensate for transformer losses

#### Notes:

- 1) Unless requested, the terminating resistor and the one-turn primary are not supplied
- 2) Pin 3: Normally for mechanical support only but will be used on center tapped designs
- 2) Each part number adjusted to be most accurate at specified load



## AC1005 • 5 Amp Current Transformer

### Low Cost 50/60Hz Current Transformers

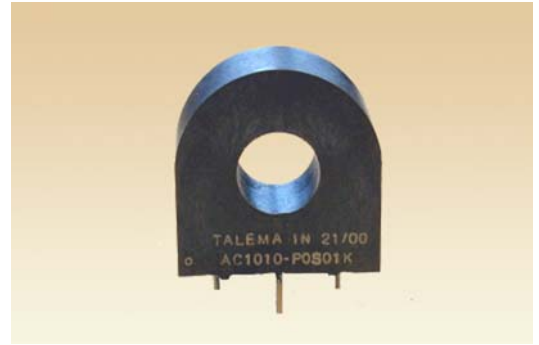
#### Applications

- Sensing Overload Current
- Ground fault detection
- Metering
- Analog to Digital Circuits



#### Features

- Competitive pricing due to high volume production
- Confirms to UL94V-0
- Manufactured in an ISO 9001:2008, ISO/TS 16949:2009 and ISO14001:2004 certified facility
- Fully RoHS & REACH Compliant

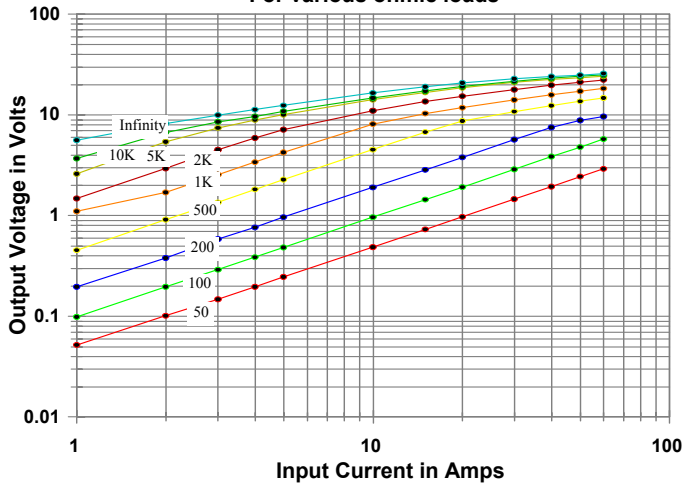


#### Environmental Specifications

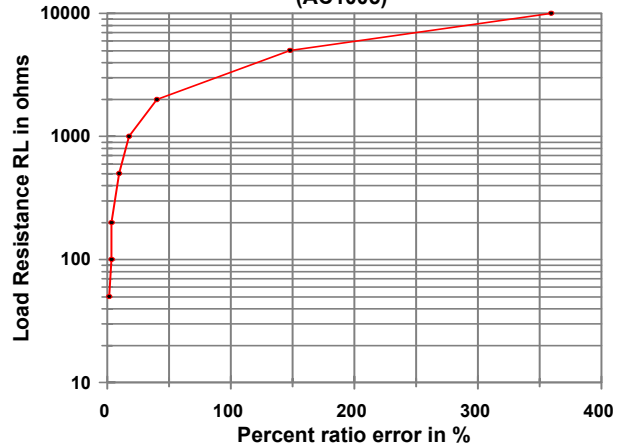
Storage Temperature	-55° to +130°C
Insulation Resistance	100 megohms min.

Electrical Specifications @ 20°C ambient	
Primary Current	5A nom., 60A max.
Turns Ratio	1000:1 nominal
Volt per Amp Ratio at 5A for 100 Ohms load	0.100 V/A
Volt per Amp Ratio at 0.5A for 100 Ohms load	0.096 V/A
DC Resistance at 20°C	41.8 Ohms
Dielectric Withstanding Voltage (Hi-pot)	4KVrms

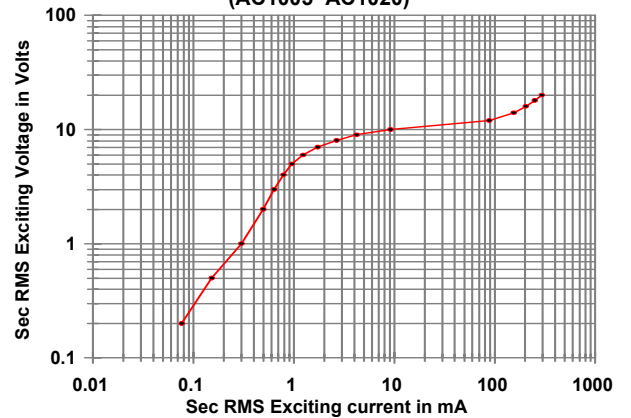
**Output Volts vs Input Current  
For various ohmic loads**



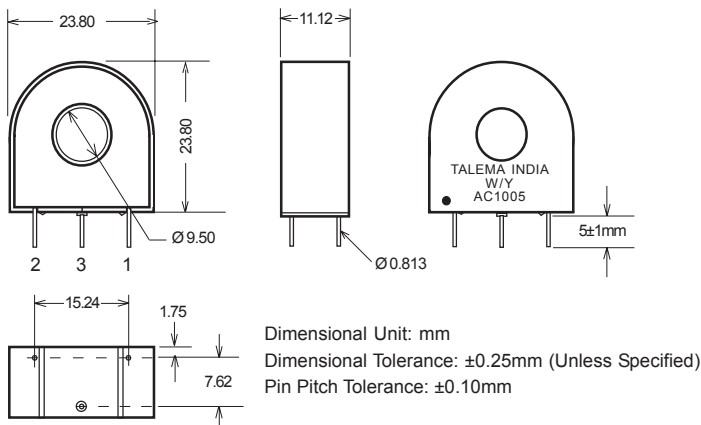
**%RE vs RL at Rated primary current  
(AC1005)**



**Typical Excitation Curve  
(AC1005-AC1020)**

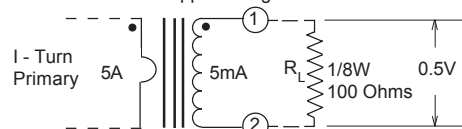


#### Mechanical Drawing



#### Notes:

- 1) Unless requested, the terminating resistor and the one-turn primary are not supplied
- 2) Pin 3: Normally for mechanical support only but will be used on center tapped designs



## AC1010 • 10 Amp Current Transformer

### Low Cost 50/60Hz Current Transformers

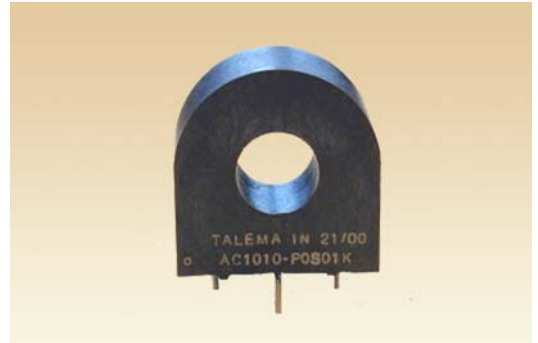
#### Applications

- Sensing Overload Current
- Ground fault detection
- Metering
- Analog to Digital Circuits



#### Features

- Competitive pricing due to high volume production
- Confirms to UL94V-0
- Manufactured in an ISO 9001:2008, ISO/TS 16949:2009 and ISO14001:2004 certified facility
- Fully RoHS & REACH Compliant

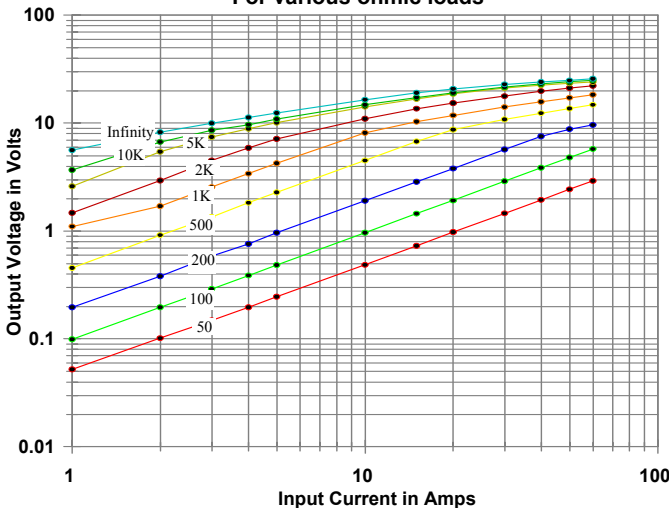


#### Environmental Specifications

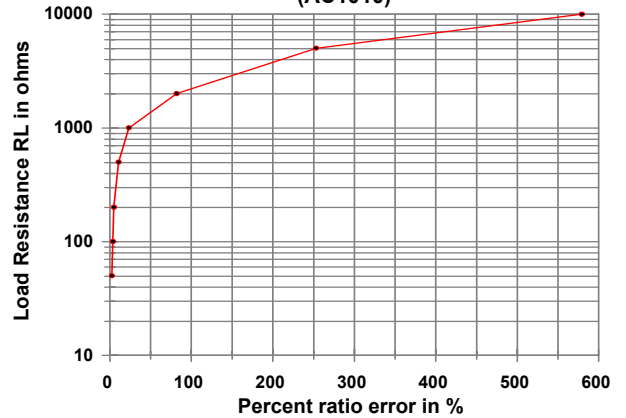
Storage Temperature	-55° to +130°C
Insulation Resistance	100 megohms min.

Electrical Specifications @ 20°C ambient	
Primary Current	10A nom., 60A max.
Turns Ratio	1000:1 nominal
Volt per Amp Ratio at 10A for 100 ohm load	0.100 V/A
Volt per Amp Ratio at 1A for 100 ohm load	0.097 V/A
DC Resistance at 20°C	41.8 ohms
Dielectric Withstanding Voltage (Hi-pot)	4KVrms

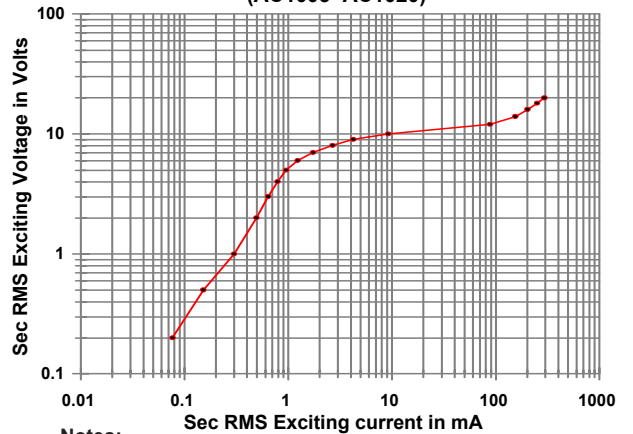
**Output Volts vs Input Current  
For various ohmic loads**



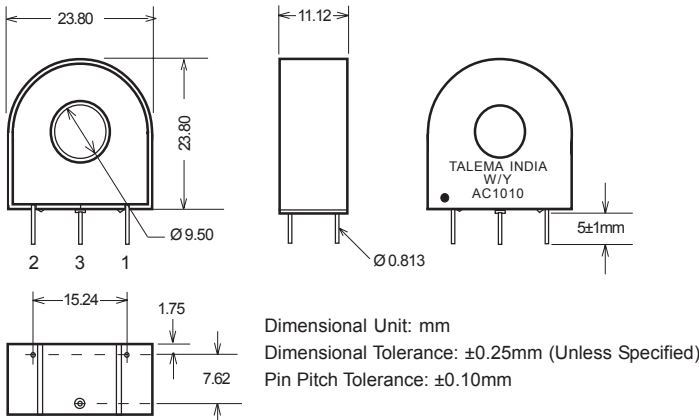
**%RE vs RL at Rated primary current  
(AC1010)**



**Typical Excitation Curve  
(AC1005~AC1020)**

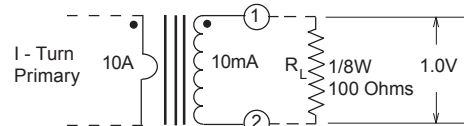


#### Mechanical Drawing



#### Notes:

- 1) Unless requested, the terminating resistor and the one-turn primary are not supplied
- 2) Pin 3: Normally for mechanical support only but will be used on center tapped designs



## AC1015 • 15 Amp Current Transformer

### Low Cost 50/60Hz Current Transformers

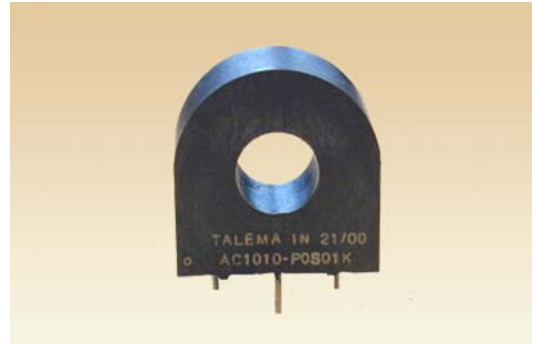
#### Applications

- Sensing Overload Current
- Ground fault detection
- Metering
- Analog to Digital Circuits



#### Features

- Competitive pricing due to high volume production
- Confirms to UL94V-0
- Manufactured in an ISO 9001:2008, ISO/TS 16949:2009 and ISO14001:2004 certified facility
- Fully RoHS & REACH Compliant

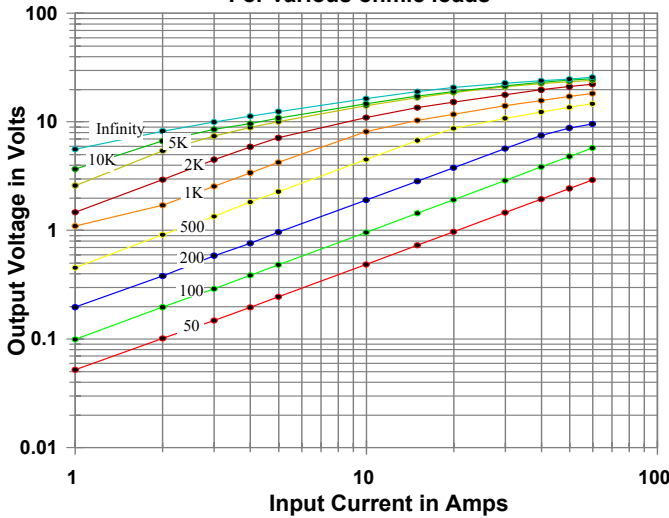


#### Environmental Specifications

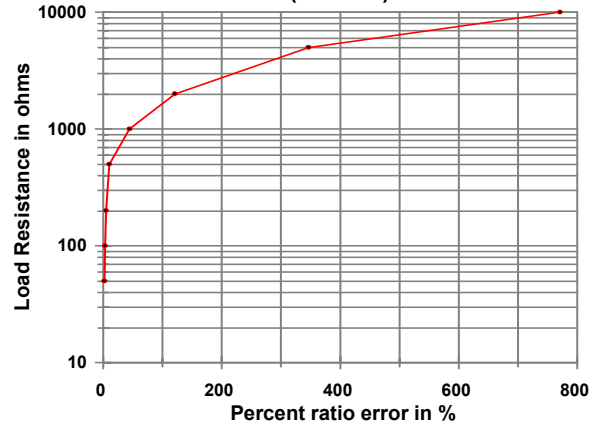
Storage Temperature	-55° to +130°C
Insulation Resistance	100 megohms min.

Electrical Specifications @ 20°C ambient	
Primary Current	15A nom., 60A max.
Turns Ratio	1000:1 nominal
Volt per Amp Ratio at 15A for 100 ohm load	0.100 V/A
Volt per Amp Ratio at 1.5A for 100 ohm load	0.097 V/A
DC Resistance at 20°C	41.8 ohms
Dielectric Withstanding Voltage (Hi-pot)	4KVrms

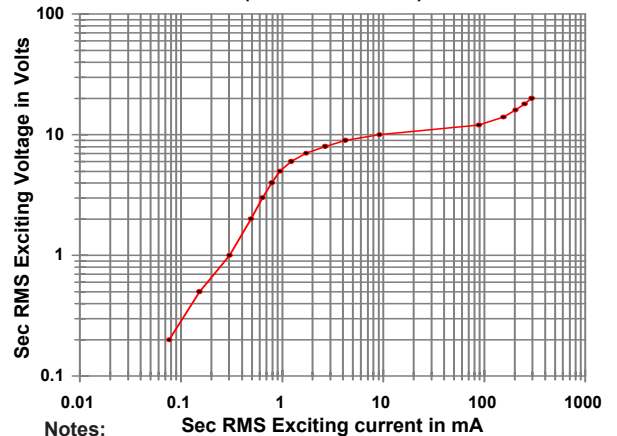
**Output Volts vs Input Current  
For various ohmic loads**



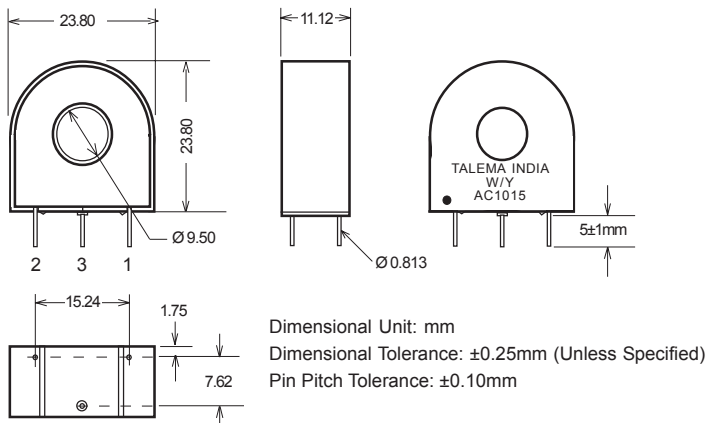
**%RE vs RL at Rated primary current  
(AC1015)**



**Typical Excitation Curve  
(AC1005-AC1020)**

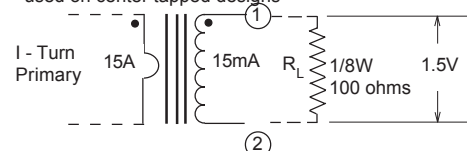


#### Mechanical Drawing



#### Notes: Sec RMS Exciting current in mA

- 1) Unless requested, the terminating resistor and the one-turn primary are not supplied
- 2) Pin 3: Normally for mechanical support only but will be used on center tapped designs



## AC1020 • 20 Amp Current Transformer

### Low Cost 50/60Hz Current Transformers

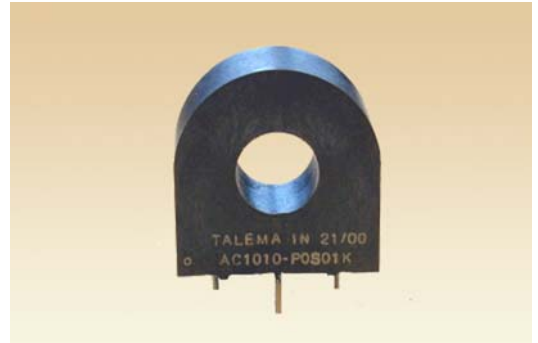
#### Applications

- Sensing Overload Current
- Ground fault detection
- Metering
- Analog to Digital Circuits



#### Features

- Competitive pricing due to high volume production
- Confirms to UL94V-0
- Manufactured in an ISO 9001:2008, ISO/TS 16949:2009 and ISO14001:2004 certified facility
- Fully RoHS & REACH Compliant

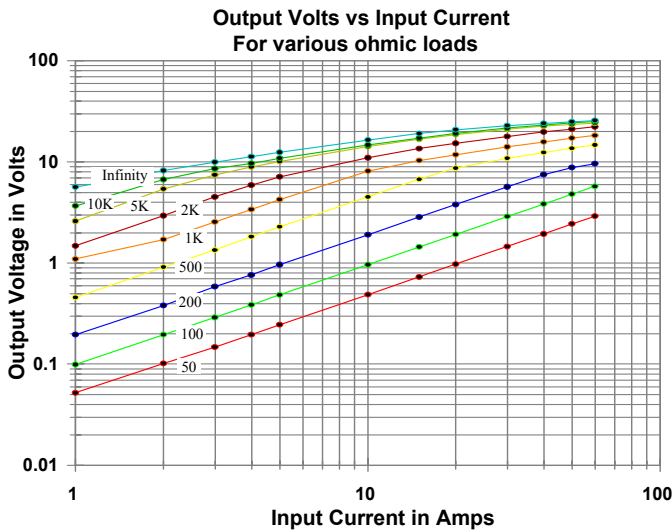
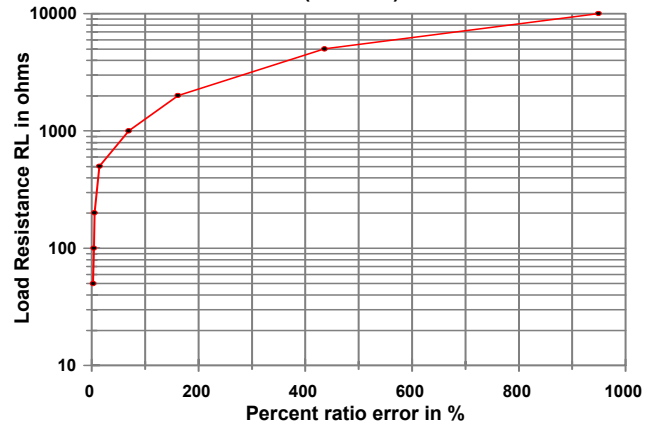


#### Environmental Specifications

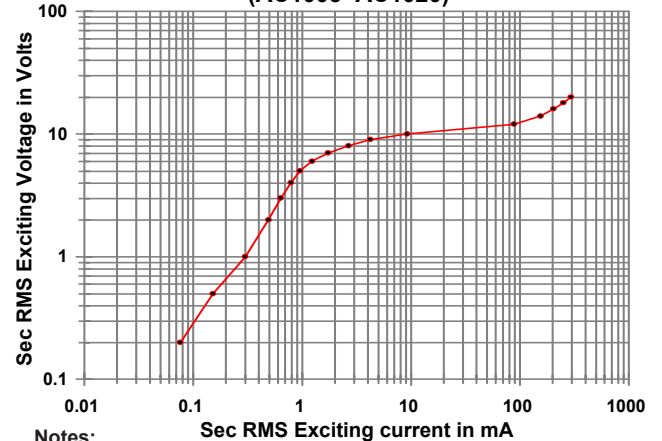
Storage Temperature	-55° to +130°C
Insulation Resistance	100 megohms min.

Electrical Specifications @ 20°C ambient	
Primary Current	20A nom., 60A max.
Turns Ratio	1000:1 nominal
Volt per Amp Ratio at 20A for 100 Ohms load	0.100 V/A
Volt per Amp Ratio at 2A for 100 Ohms load	0.097 V/A
DC Resistance at 20°C	41.8 Ohms
Dielectric Withstanding Voltage (Hi-pot)	4KVrms

**%RE vs RL at Rated primary current  
(AC1020)**

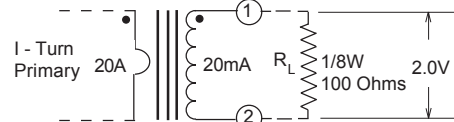


**Typical Excitation Curve  
(AC1005-AC1020)**

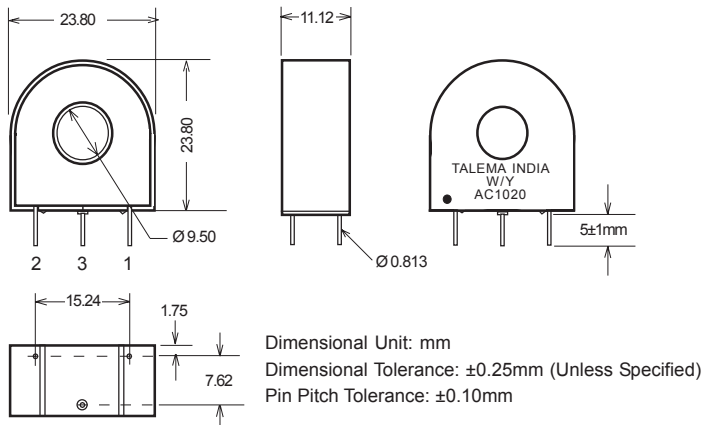


**Notes:**

- 1) Unless requested, the terminating resistor and the one-turn primary are not supplied
- 2) Pin 3: Normally for mechanical support only but will be used on center tapped designs



#### Mechanical Drawing



## AC1025 • 25 Amp Current Transformer

### Low Cost 50/60Hz Current Transformers

#### Applications

- Sensing Overload Current
- Ground fault detection
- Metering
- Analog to Digital Circuits



#### Features

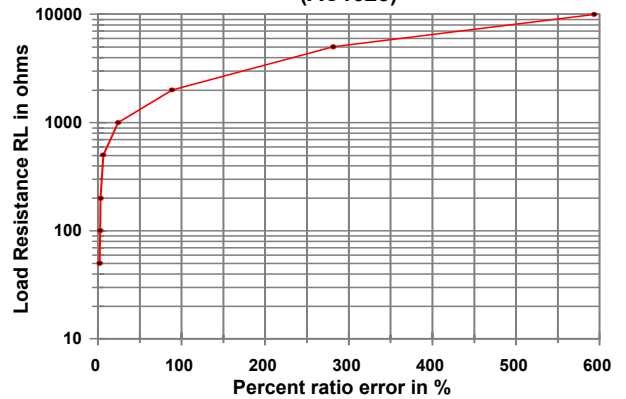
- Competitive pricing due to high volume production
- Confirms to UL94V-0
- Manufactured in an ISO 9001:2008, ISO/TS 16949:2009 and ISO14001:2004 certified facility
- Fully RoHS & REACH Compliant



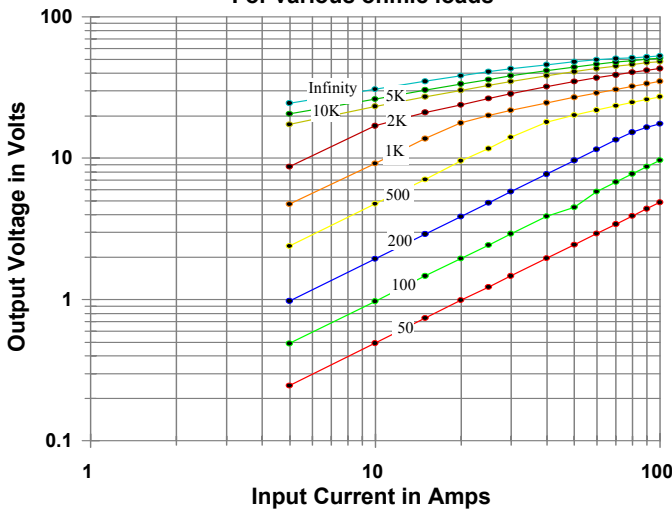
Electrical Specifications @ 20°C ambient	
Primary Current	25A nom., 75A max.
Turns Ratio	1000:1 nominal
Volt per Amp Ratio at 25A for 100 Ohms load	0.100 V/A
Volt per Amp Ratio at 2.5A for 100 Ohms load	0.098 V/A
DC Resistance at 20°C	48 Ohms
Dielectric Withstanding Voltage (Hi-pot)	4KVrms

Environmental Specifications	
Storage Temperature	-55° to +130°C
Insulation Resistance	100 megohms min.

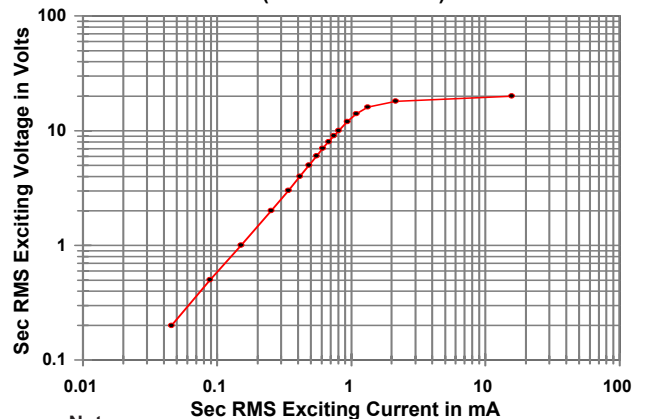
**%RE vs RL at Rated primary current  
(AC1025)**



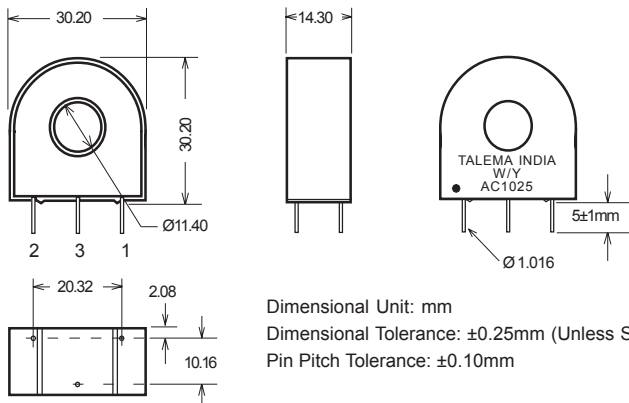
**Output Volts vs Input Current  
For various ohmic loads**



**Typical Excitation Curve  
(AC1025~AC1030)**

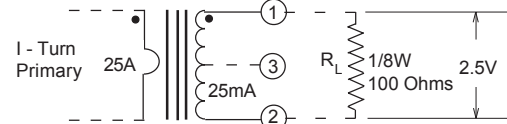


#### Mechanical Drawing



#### Notes:

- 1) Unless requested, the terminating resistor and the one-turn primary are not supplied
- 2) Pin 3: Normally for mechanical support only but will be used on center tapped designs



## AC1030 • 30 Amp Current Transformer

### Low Cost 50/60Hz Current Transformers

#### Applications

- Sensing Overload Current
- Ground fault detection
- Metering
- Analog to Digital Circuits



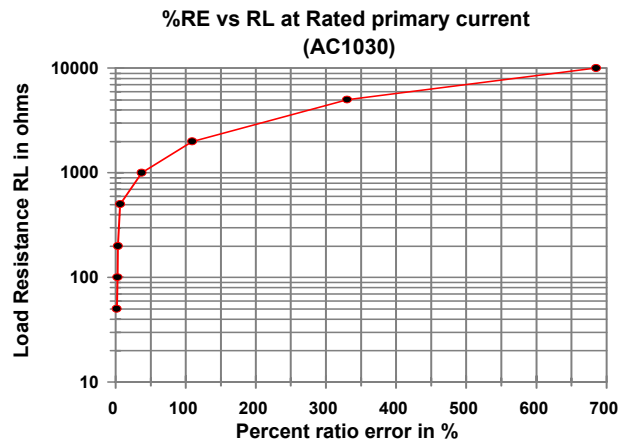
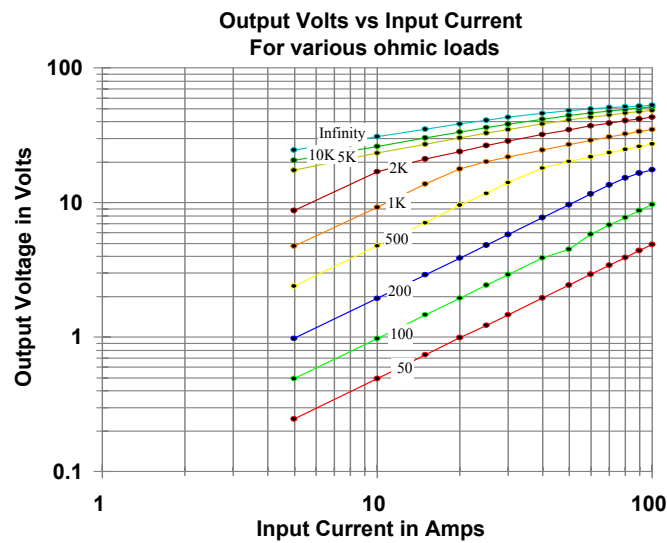
#### Features

- Competitive pricing due to high volume production
- Confirms to UL94V-0
- Manufactured in an ISO 9001:2008, ISO/TS 16949:2009 and ISO14001:2004 certified facility
- Fully RoHS & REACH Compliant

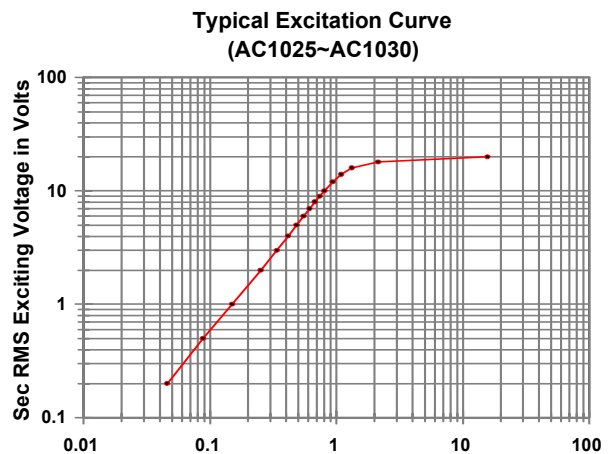
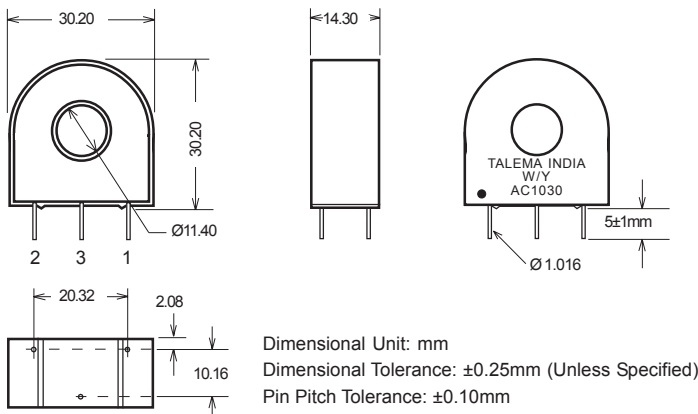


Electrical Specifications @ 20°C ambient	
Primary Current	30A nom., 75A max.
Turns Ratio	1000:1 nominal
Volt per Amp Ratio at 30A for 100 Ohms load	0.100 V/A
Volt per Amp Ratio at 3A for 100 Ohms load	0.098 V/A
DC Resistance at 20°C	48 Ohms
Dielectric Withstanding Voltage (Hi-pot)	4KVrms

Environmental Specifications	
Storage Temperature	-55° to +130°C
Insulation Resistance	100 megohms min.

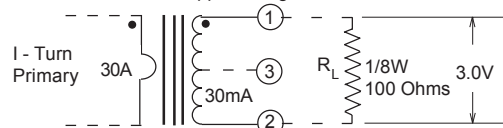


#### Mechanical Drawing



#### Notes:

- 1) Unless requested, the terminating resistor and the one-turn primary are not supplied
- 2) Pin 3: Normally for mechanical support only but will be used on center tapped designs





## AC1040 • 40 Amp Current Transformer

### Low Cost 50/60Hz Current Transformers

#### Applications

- Sensing Overload Current
- Ground fault detection
- Metering
- Analog to Digital Circuits



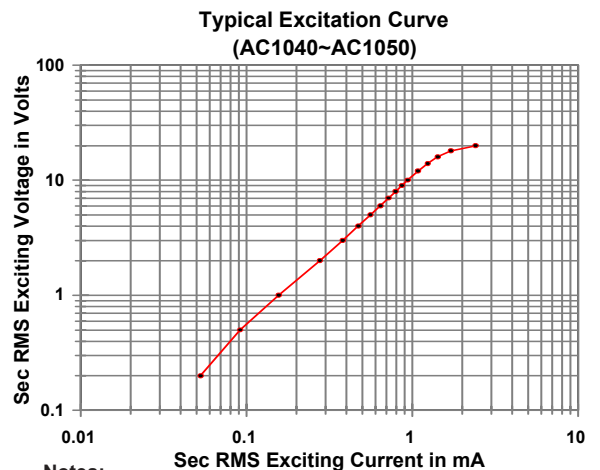
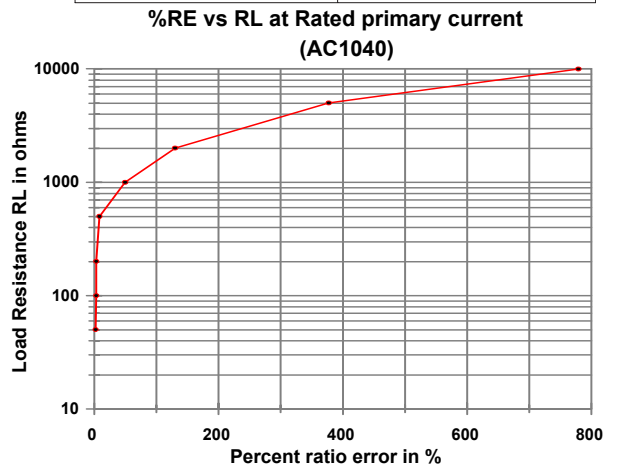
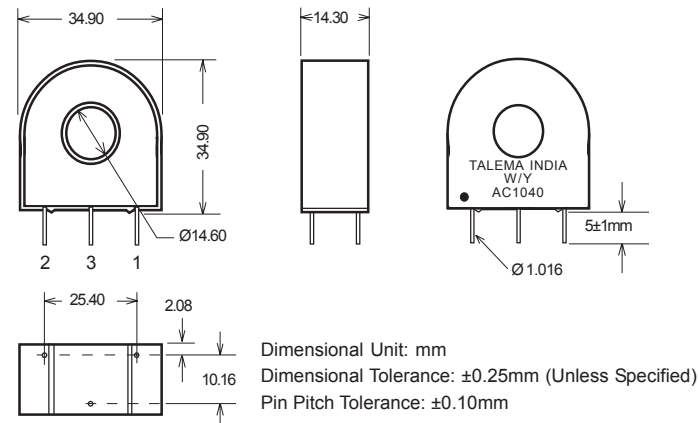
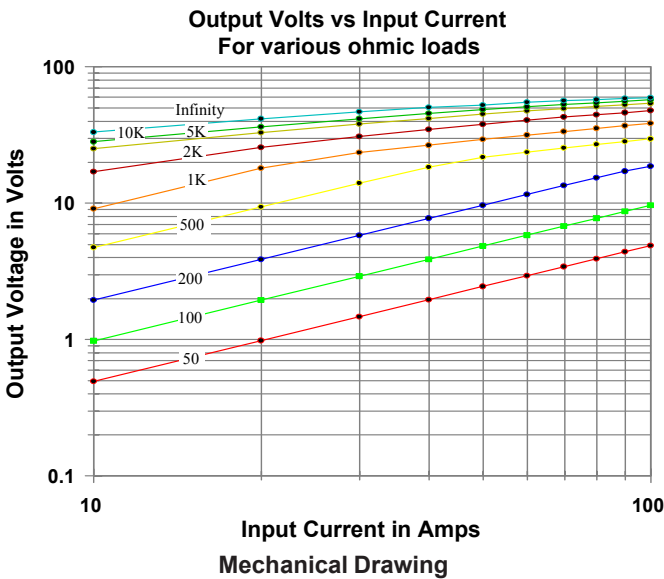
#### Features

- Competitive pricing due to high volume production
- Confirms to UL94V-0
- Manufactured in an ISO 9001:2008, ISO/TS 16949:2009 and ISO14001:2004 certified facility
- Fully RoHS & REACH Compliant



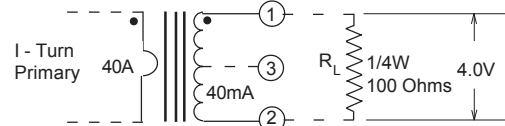
Electrical Specifications @ 20°C ambient	
Primary Current	40A nom., 125A max.
Turns Ratio	1000:1 nominal
Volt per Amp Ratio at 40A for 100 Ohms load	0.100 V/A
Volt per Amp Ratio at 4A for 100 Ohms load	0.098 V/A
DC Resistance at 20°C	49.3 Ohms
Dielectric Withstanding Voltage (Hi-pot)	4KVrms

Environmental Specifications	
Storage Temperature	-55° to +130°C
Insulation Resistance	100 megohms min.



#### Notes:

- 1) Unless requested, the terminating resistor and the one-turn primary are not supplied
- 2) Pin 3: Normally for mechanical support only but will be used on center tapped designs



## AC1050 • 50 Amp Current Transformer

### Low Cost 50/60Hz Current Transformers

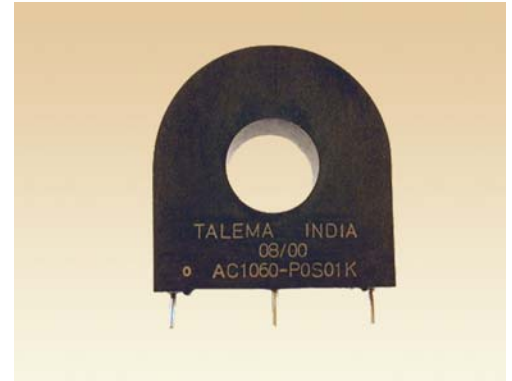
#### Applications

- Sensing Overload Current
- Ground fault detection
- Metering
- Analog to Digital Circuits



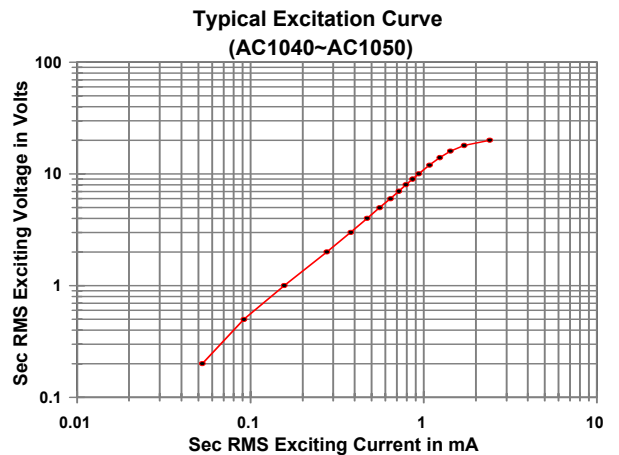
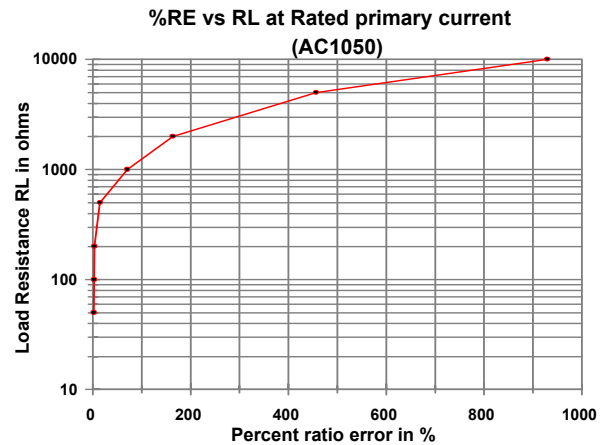
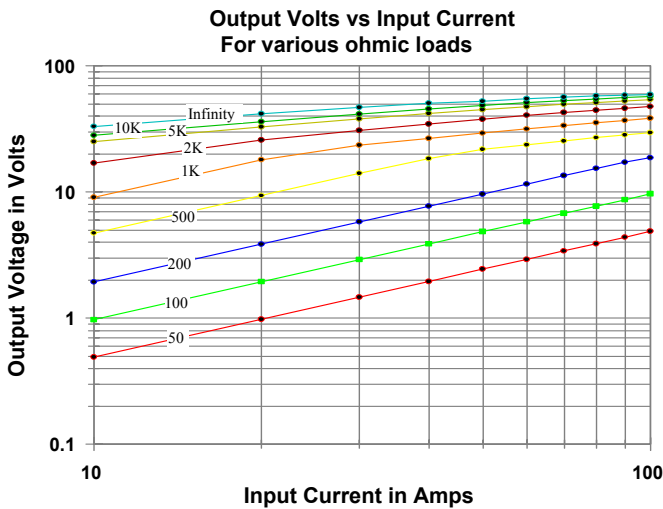
#### Features

- Competitive pricing due to high volume production
- Confirms to UL94V-0
- Manufactured in an ISO 9001:2008, ISO/TS 16949:2009 and ISO14001:2004 certified facility
- Fully RoHS & REACH Compliant

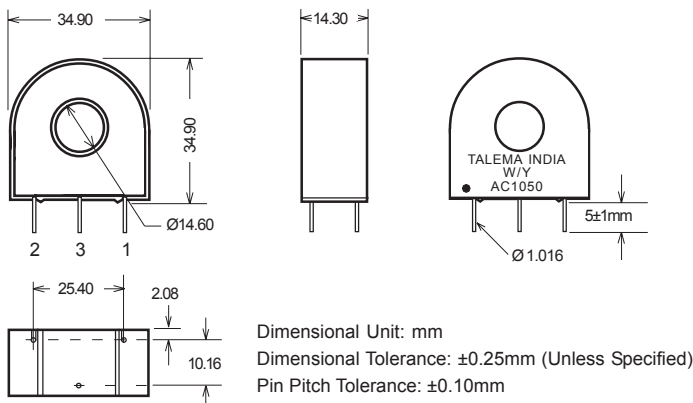


Electrical Specifications @ 20°C ambient	
Primary Current	50A nom., 125A max.
Turns Ratio	1000:1 nominal
Volt per Amp Ratio at 50A for 100 Ohms load	0.100 V/A
Volt per Amp Ratio at 5A for 100 Ohms load	0.098 V/A
DC Resistance at 20°C	49.3 Ohms
Dielectric Withstanding Voltage (Hi-pot)	4KVrms

Environmental Specifications	
Storage Temperature	-55° to +130°C
Insulation Resistance	100 megohms min.

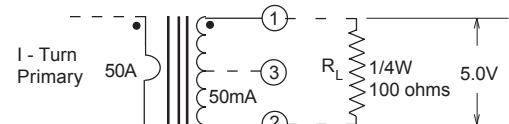


#### Mechanical Drawing



#### Notes:

- 1) Unless requested, the terminating resistor and the one-turn primary are not supplied
- 2) Pin 3: Normally for mechanical support only but will be used on center tapped designs



## AC1060 • 60 Amp Current Transformer

### Low Cost 50/60Hz Current Transformers

#### Applications

- Sensing Overload Current
- Ground fault detection
- Metering
- Analog to Digital Circuits



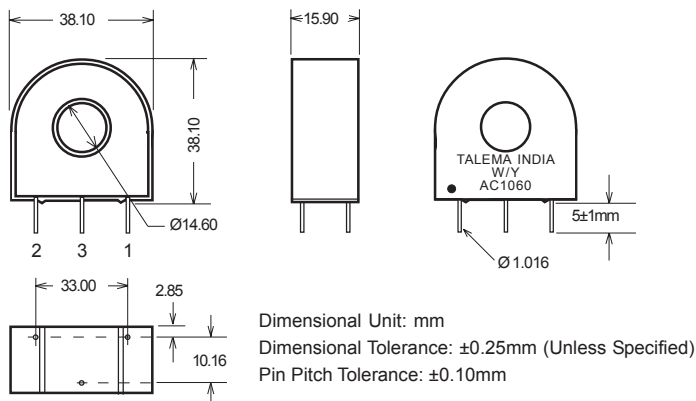
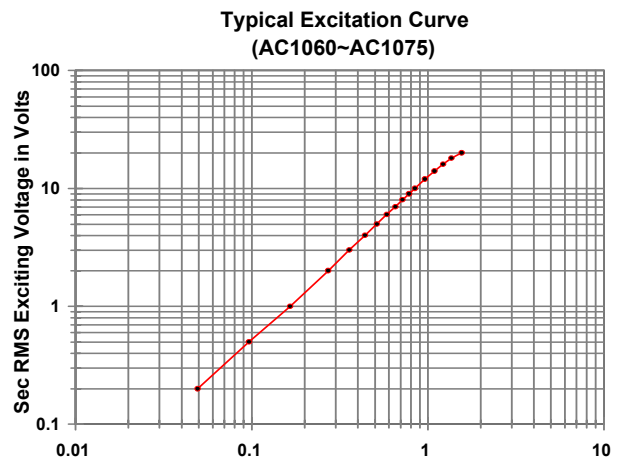
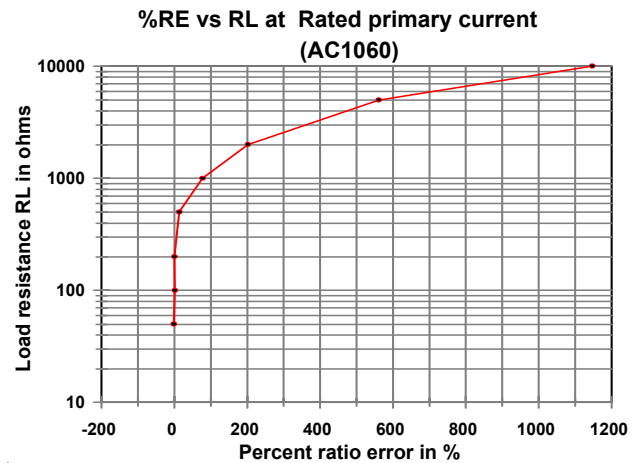
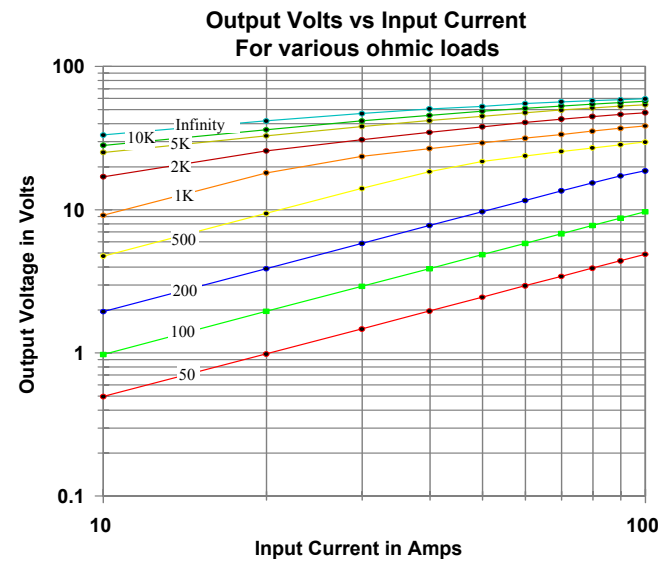
#### Features

- Competitive pricing due to high volume production
- Confirms to UL94V-0
- Manufactured in an ISO 9001:2008, ISO/TS 16949:2009 and ISO14001:2004 certified facility
- Fully RoHS & REACH Compliant

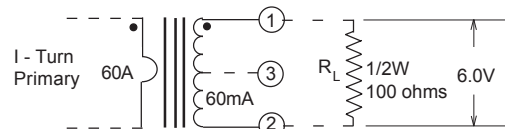


Electrical Specifications @ 20°C ambient	
Primary Current	60A nom., 200A max.
Turns Ratio	1000:1 nominal
Volt per Amp Ratio at 60A for 100 ohm load	0.100 V/A
Volt per Amp Ratio at 6A for 100 ohm load	0.0984 V/A
DC Resistance at 20°C	24 ohms
Dielectric Withstanding Voltage (Hi-pot)	4KVrms

Environmental Specifications	
Storage Temperature	-55° to +130°C
Insulation Resistance	100 megohms min.



- Notes:**
- 1) Unless requested, the terminating resistor and the one-turn primary are not supplied
  - 2) Pin 3: Normally for mechanical support only but will be used on center tapped designs



## AC1075 • 75 Amp Current Transformer

### Low Cost 50/60Hz Current Transformers

#### Applications

- Sensing Overload Current
- Ground fault detection
- Metering
- Analog to Digital Circuits



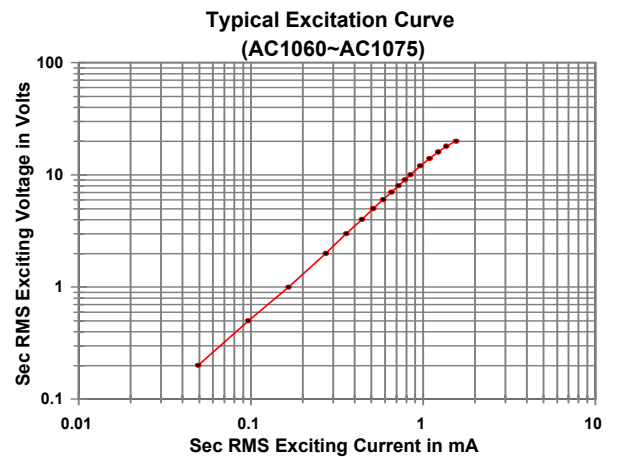
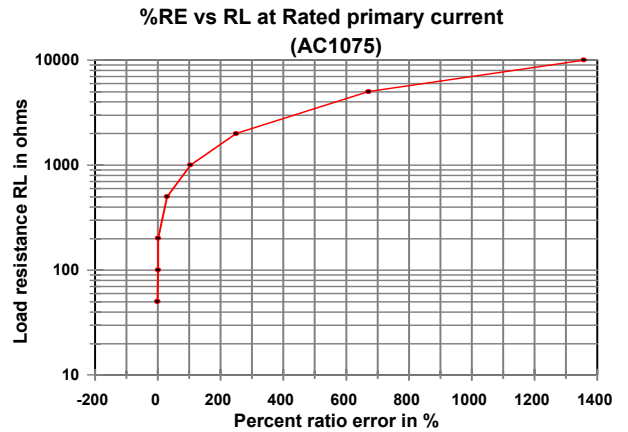
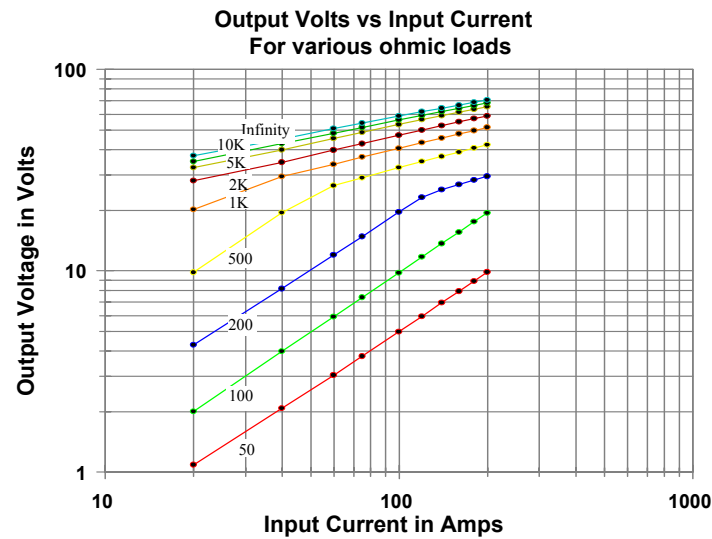
#### Features

- Competitive pricing due to high volume production
- Confirms to UL94V-0
- Manufactured in an ISO 9001:2008, ISO/TS 16949:2009 and ISO14001:2004 certified facility
- Fully RoHS & REACH Compliant

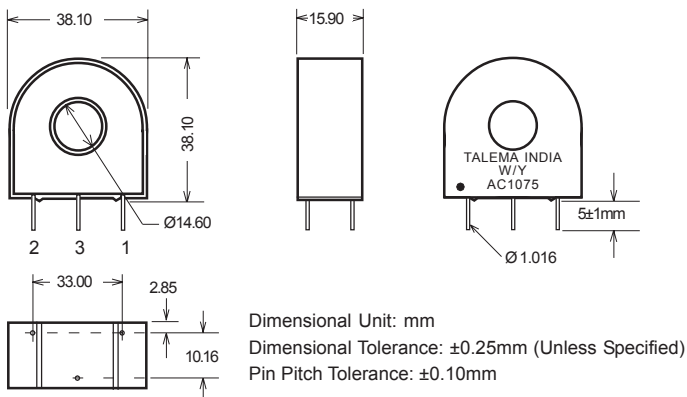


Electrical Specifications @ 20°C ambient	
Primary Current	75A nom., 200A max.
Turns Ratio	1000:1 nominal
Volt per Amp Ratio at 75A for 100 ohm load	0.100 V/A
Volt per Amp Ratio at 7.5A for 100 ohm load	0.0984 V/A
DC Resistance at 20°C	24 ohms
Dielectric Withstanding Voltage (Hi-pot)	4KVrms

Environmental Specifications	
Storage Temperature	-55° to +130°C
Insulation Resistance	100 megohms min.

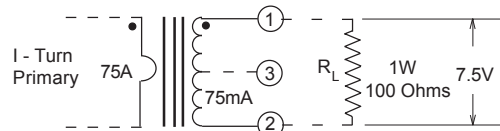


#### Mechanical Drawing



#### Notes:

- 1) Unless requested, the terminating resistor and the one-turn primary are not supplied
- 2) Pin 3: Normally for mechanical support only but will be used on center tapped designs



## AC1100 • 100 Amp Current Transformer

### Low Cost 50/60Hz Current Transformers

#### Applications

- Sensing Overload Current
- Ground fault detection
- Metering
- Analog to Digital Circuits



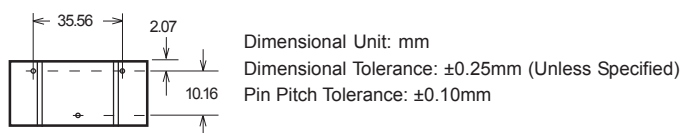
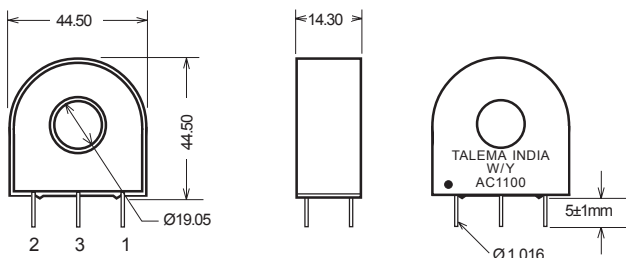
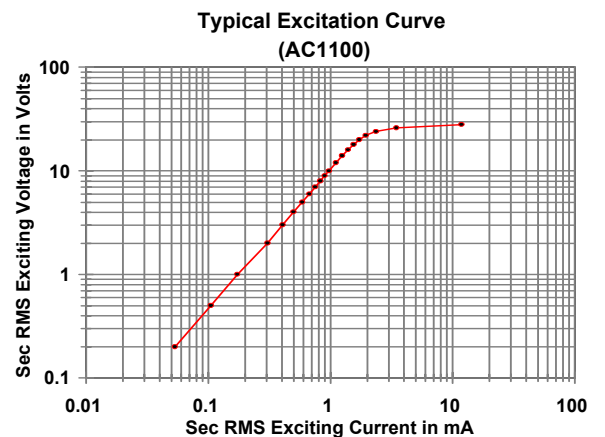
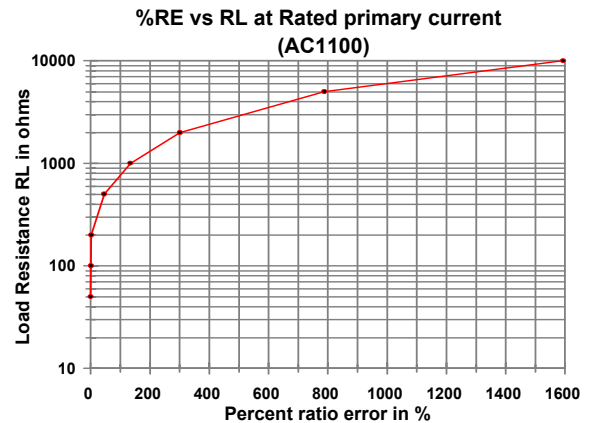
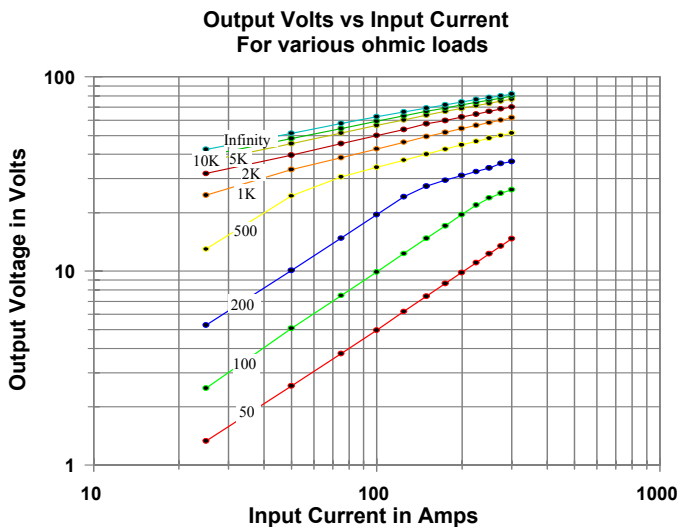
#### Features

- Competitive pricing due to high volume production
- Confirms to UL94V-0
- Manufactured in an ISO 9001:2008, ISO/TS 16949:2009 and ISO14001:2004 certified facility
- Fully RoHS & REACH Compliant



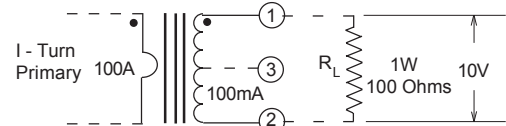
Electrical Specifications @ 20°C ambient	
Primary Current	100A nom., 250A max.
Turns Ratio	1000:1 nominal
Volt per Amp Ratio at 100A for 100 Ohm load	0.100 V/A
Volt per Amp Ratio at 10A for 100 Ohm load	0.0986 V/A
DC Resistance at 20°C	21.3 Ohms
Dielectric Withstanding Voltage (Hi-pot)	4KVrms

Environmental Specifications	
Storage Temperature	-55° to +130°C
Insulation Resistance	100 megohms min.



#### Notes:

- 1) Unless requested, the terminating resistor and the one-turn primary are not supplied
- 2) Pin 3: Normally for mechanical support only but will be used on center tapped designs



## AC1150 • 150 Amp Current Transformer

### Low Cost 50/60Hz Current Transformers

#### Applications

- Sensing Overload Current
- Ground fault detection
- Metering
- Analog to Digital Circuits



#### Features

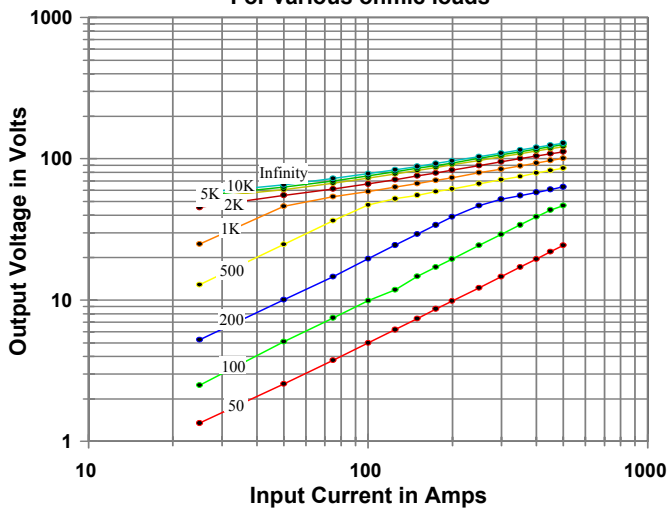
- Competitive pricing due to high volume production
- Confirms to UL94V-0
- Manufactured in an ISO 9001:2008, ISO/TS 16949:2009 and ISO14001:2004 certified facility
- Fully RoHS & REACH Compliant



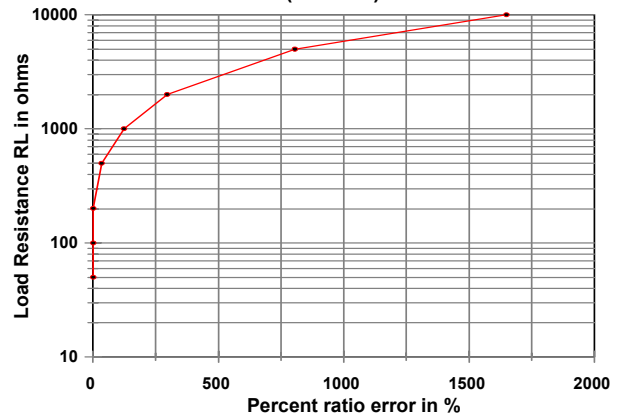
Electrical Specifications @ 20°C ambient	
Primary Current	150A nom., 500A max.
Turns Ratio	1000:1 nominal
Volt per Amp Ratio at 150A for 100 Ohms load	0.100 V/A
Volt per Amp Ratio at 15A for 100 Ohms load	0.0990 V/A
DC Resistance at 20°C	11 Ohms
Dielectric Withstanding Voltage (Hi-pot)	4KVrms

Environmental Specifications	
Storage Temperature	-55° to +130°C
Insulation Resistance	100 megohms min.

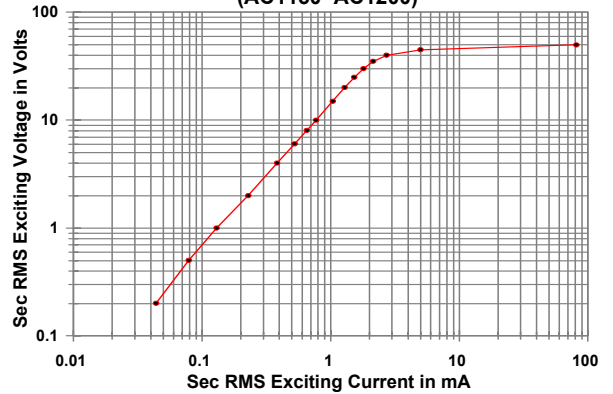
**Output Volts vs Input Current  
For various ohmic loads**



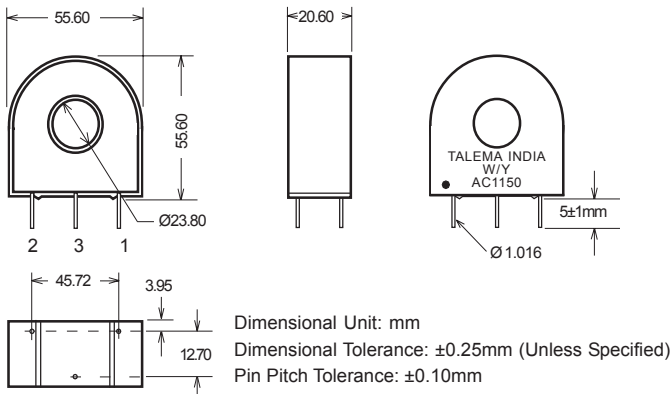
**%RE vs RL at Rated primary current  
(AC1150)**



**Typical Excitation Curve  
(AC1150-AC1200)**

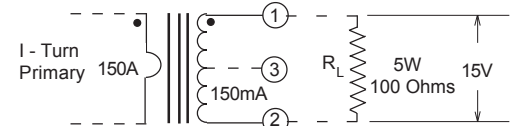


#### Mechanical Drawing



#### Notes:

- 1) Unless requested, the terminating resistor and the one-turn primary are not supplied
- 2) Pin 3: Normally for mechanical support only but will be used on center tapped designs



## AC1200 • 200 Amp Current Transformer

### Low Cost 50/60Hz Current Transformers

#### Applications

- Sensing Overload Current
- Ground fault detection
- Metering
- Analog to Digital Circuits



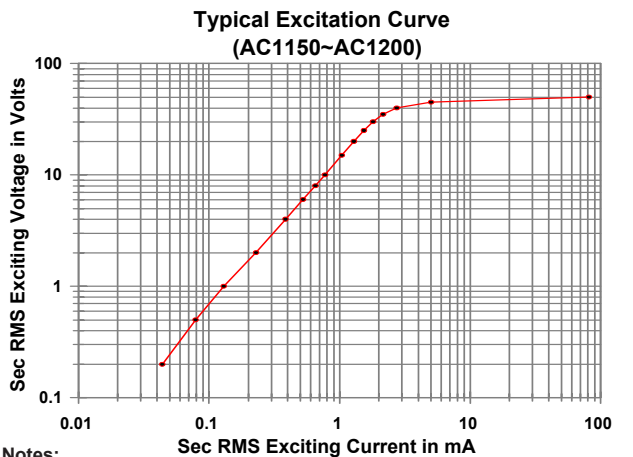
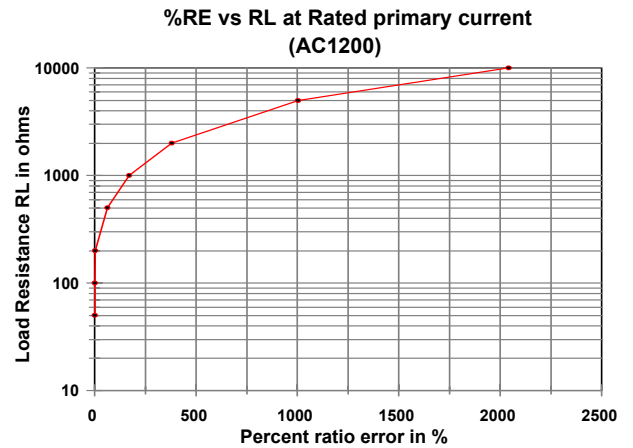
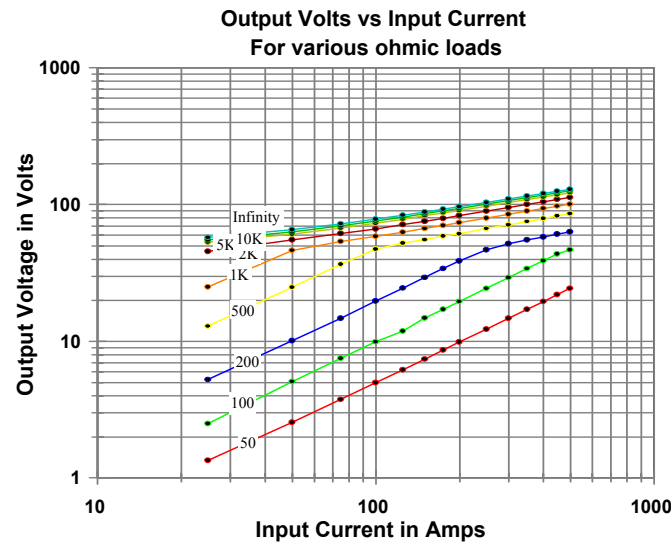
#### Features

- Competitive pricing due to high volume production
- Confirms to UL94V-0
- Manufactured in an ISO 9001:2008, ISO/TS 16949:2009 and ISO14001:2004 certified facility
- Fully RoHS & REACH Compliant

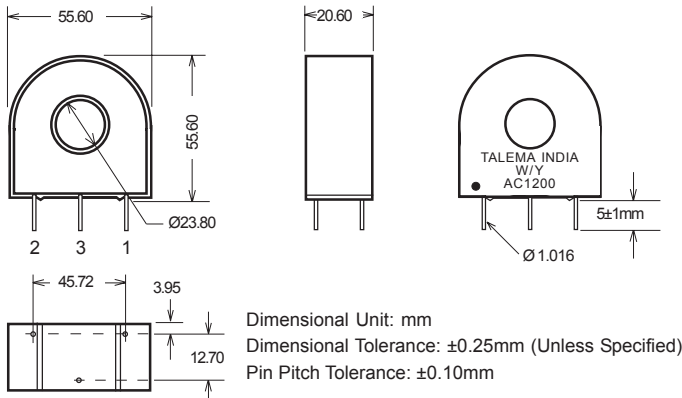


Electrical Specifications @ 20°C ambient	
Primary Current	200A nom., 500A max.
Turns Ratio	1000:1 nominal
Volt per Amp Ratio at 200A for 100 ohm load	0.100 V/A
Volt per Amp Ratio at 20A for 100 ohm load	0.0991 V/A
DC Resistance at 20°C	11 ohms
Dielectric Withstanding Voltage (Hi-pot)	4KVrms

Environmental Specifications	
Storage Temperature	-55° to +130°C
Insulation Resistance	100 megohms min.



#### Mechanical Drawing



#### Notes:

- 1) Unless requested, the terminating resistor and the one-turn primary are not supplied
- 2) Pin 3: Normally for mechanical support only but will be used on center tapped designs

