



Chipsmall Limited consists of a professional team with an average of over 10 year of expertise in the distribution of electronic components. Based in Hongkong, we have already established firm and mutual-benefit business relationships with customers from,Europe,America and south Asia,supplying obsolete and hard-to-find components to meet their specific needs.

With the principle of “Quality Parts,Customers Priority,Honest Operation,and Considerate Service”,our business mainly focus on the distribution of electronic components. Line cards we deal with include Microchip,ALPS,ROHM,Xilinx,Pulse,ON,Everlight and Freescale. Main products comprise IC,Modules,Potentiometer,IC Socket,Relay,Connector.Our parts cover such applications as commercial,industrial, and automotives areas.

We are looking forward to setting up business relationship with you and hope to provide you with the best service and solution. Let us make a better world for our industry!



## Contact us

Tel: +86-755-8981 8866 Fax: +86-755-8427 6832

Email & Skype: info@chipsmall.com Web: www.chipsmall.com

Address: A1208, Overseas Decoration Building, #122 Zhenhua RD., Futian, Shenzhen, China





# Capacitive mTouch™ Sensing Solutions

## Overview

Touch sensing is fast becoming an alternative to traditional push button switch user interfaces, because it requires no mechanical movement, and it enables a completely sealed and modern-looking design. Expanding beyond the consumer market, touch sensing is beginning to take hold in medical, industrial and automotive applications for reasons such as improved aesthetics, reduced maintenance and lower cost.

Microchip's Capacitive mTouch™ Solution is a free and easy method to optimize your touch sensing application using a wide variety of hardware and software resource options.

## How it Works

A capacitive touch sensor is a copper pad area created on the surface of a printed circuit board. It creates a parasitic capacitance to ground. When a person touches the sensor, or its covering (plastic, glass, etc.), the person's finger introduces an additional glass-finger-ground capacitance. That capacitance is in parallel to the parasitic one. As capacitors in parallel are added, a finger approaching the pad will increase the total capacitance. This change is the criteria needed to detect a touch.

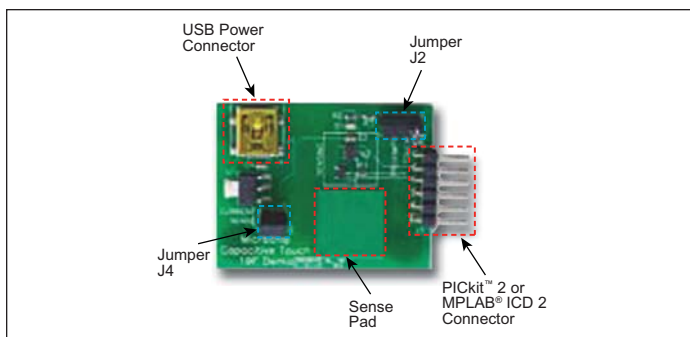
Microcontrollers provide the ability to perform capacitive sensing, decision making, responsive actions and other duties pertinent to the system as well.

## Capacitive Touch Implementation

The illustration below shows a simple implementation of a single capacitive touch key. One key capacitive touch can:

- Be used as a on/off, open/close button or other single action user interface
- Act as a proximity sensor – detecting a hand coming close to the sensor
  - Enable lower standby power consumption
  - Trigger an action, like lighting up a display, without a touch

The schematic is very simple and uses a PIC10F204/6 MCU, a diode, a capacitor and a resistor (see the white sensing square on the PCB).



Being a microcontroller based solution, capacitive touch can also be used to drive an LED, a buzzer or to communicate with the main processor or the rest of the system. The necessary schematic software is provided in AN1202: Capacitive Sensing with PIC10F.

## How to Use the Board

- Connect the USB cable to power the board
- The LED will light up to show a touch or finger detection
- The Jumper J2 enables two Sensitivity levels:
  - On the left: Higher sensitivity as a proximity sensor
  - On the right: Lower sensitivity as a keyThe scanning rate does not change, therefore the power consumption remains the same in both modes.
- The current can easily be measured using the jumper J4 connections
- If a user leaves his finger on the sensor for a couple of seconds, the MCU will re-calibrate the sensitivity of the key. That auto-calibration feature takes care of temperature or humidity changes as well as a “stuck” button.

## Flexibility of the Solution

The MCU can be reprogrammed using the PICkit™ 2/MPLAB® ICD 2 connector. By having access to the source code, it is very easy to change some values or parameters to meet your applications' specific needs.

- The sensitivity can easily be adjusted to the sense pad size and cover material
- The power consumption can be lowered by reducing the scan rate, leaving the MCU in Sleep mode as much as possible
- The autocalibration feature can be disabled, or the software can make it faster or slower depending on the application needs



**MICROCHIP**

Microchip Technology Incorporated

## Additional Information

AN1101: Introduction to Capacitive Sensing:  
AN1102: Layout and Physical Design Guidelines for Capacitive Sensing  
AN1103: Software Handling for Capacitive Sensing  
AN1104: Capacitive Multi-Button Configurations  
AN1202: Capacitive Sensing with PIC10F  
AN1171: Using the Capacitive Sensing Module on the PIC16F72X  
DS41328: mTouch™ Users Guide  
DS39724: Charge Time Measurement Unit (CTMU) Reference Manual

## Web Seminars

Introduction to mTouch™ Capacitive Touch Sensing  
Capacitive mTouch™ Sensing Solutions: Design Guidelines

## Additional Resources

Microchip offers a number of hardware solutions to suit the demands of any application from the most basic single button design using the incredibly small and cost effective PIC10F to the peripheral rich Mid-Range and PIC24FJ MCU Families. Solutions are available for up to 64 keys using 8- or 16-bit microcontrollers.

For more information on Microchip Capacitive Touch solutions, please consult our design center at [www.microchip.com/mtouch](http://www.microchip.com/mtouch)

### Development Tools from Microchip

Part Number	Development Tool	Description
DM164125	PICDEM™ Touch Sense 1 Development Kit	Introduces users to Microchip's 8-bit capacitive mTouch™ sensing solutions. This kit includes keys and slides, the 8-bit PIC16F microcontroller with S/R latch module and the PICkit™ Serial Analyzer.
DM164128	PICDEM™ Touch Sense 2 Development Kit	Introduces users to Microchip's Charge Time Measurement Unit (CTMU) Capacitive mTouch™ Sensing Solutions. Demonstrates touch sensing technology using the 16-bit PIC24F family with CTMU.
DM240011	PIC24F Starter Kit	Includes everything needed to start designing a touch sensing application. This kit features a number of demos including capacitive touch sensing with CTMU and includes an integrated in-circuit debugger and programmer, USB device and host connectors, tri-color LED, capacitive touch pad and an OLED display.



# MICROCHIP

[www.microchip.com/mtouch](http://www.microchip.com/mtouch)

Visit our web site for additional product information and to locate your local sales office.

Microchip Technology Inc. • 2355 W. Chandler Blvd. • Chandler, AZ 85224-6199

**Microcontrollers • Digital Signal Controllers • Analog • Serial EEPROMs**

The Microchip name and logo, the Microchip logo, dsPIC, MPLAB and PIC are registered trademarks of Microchip Technology Incorporated in the U.S.A. and other countries. mTouch, PICDEM and PICkit are trademarks of Microchip Technology Incorporated in the U.S.A. and other countries. All other trademarks mentioned herein are property of their respective companies.  
© 2008 Microchip Technology Inc. All Rights Reserved. 10/08

DS41359A

