



Chipsmall Limited consists of a professional team with an average of over 10 year of expertise in the distribution of electronic components. Based in Hongkong, we have already established firm and mutual-benefit business relationships with customers from,Europe,America and south Asia,supplying obsolete and hard-to-find components to meet their specific needs.

With the principle of “Quality Parts,Customers Priority,Honest Operation,and Considerate Service”,our business mainly focus on the distribution of electronic components. Line cards we deal with include Microchip,ALPS,ROHM,Xilinx,Pulse,ON,Everlight and Freescale. Main products comprise IC,Modules,Potentiometer,IC Socket,Relay,Connector.Our parts cover such applications as commercial,industrial, and automotives areas.

We are looking forward to setting up business relationship with you and hope to provide you with the best service and solution. Let us make a better world for our industry!



## Contact us

Tel: +86-755-8981 8866 Fax: +86-755-8427 6832

Email & Skype: info@chipsmall.com Web: www.chipsmall.com

Address: A1208, Overseas Decoration Building, #122 Zhenhua RD., Futian, Shenzhen, China



# PIC32 Bluetooth® Daughter Board - BM64 Information Sheet

The PIC32 Bluetooth Daughter Board - BM64 (AC320032-3) is based on the Microchip BM64 Bluetooth Stereo Audio Module. This information sheet provides an overview and detailed schematics of the PIC32 Bluetooth Daughter Board.

This daughter board is designed specifically to be used with the PIC32 Bluetooth Audio Development Kit (DV320032); however, it can also be used with other Microchip development hardware.

Visit <http://www.microchip.com> for more information.

## Features

The PIC32 Bluetooth Daughter Board - BM64 features the Microchip BM64 Bluetooth Stereo Audio Module, which supports 2.4 GHz Bluetooth® version 4.2, with the BDR/EDR/BLE specification. The BM64 has built-in user programmable DSP and EQ, which is accessible through an easy to configure User Interface (UI) tool, a Windows® configuration utility, or directly by MCU.

The PIC32 Bluetooth Daughter Board - BM64 is suitable for adding Bluetooth and Audio input and output capabilities to the PIC32 Bluetooth Starter Kit (DM320018) and the PIC32 Bluetooth Audio Development Kit (DV320032).

The PIC32 Bluetooth Daughter Board - BM64 features include:

- Microchip BM64 Stereo Audio Module
- Fully-certified, embedded 2.4 GHz Bluetooth V4.2 module
- Bluetooth SIG-qualified, Bluetooth BDR/EDR/BLE specification
- 3.5 mm Inputs:
  - Line in
  - External Mic in
- Supports both I<sup>2</sup>S format and analog audio output
- On-board Bluetooth Stack
- Integrated DSP with code for echo cancellation and other features
- Suitable for audio and voice, and utilized in Bluetooth applications
- X32 connection interface.

## Additional Information

For more information on drivers and examples, please visit:

- [www.microchip.com/pic32btsuites](http://www.microchip.com/pic32btsuites)
- [www.microchip.com/harmony](http://www.microchip.com/harmony)

### Americas

Atlanta - 678-957-9614  
Austin - 512-257-3370  
Boston - 774-760-0087  
Chicago - 630-285-0071  
Cleveland - 216-447-0464  
Dallas - 972-818-7423  
Detroit - 248-848-4000  
Houston - 281-894-5983  
Indianapolis - 317-773-8323  
Los Angeles - 949-462-9523  
New York - 631-435-6000  
Phoenix - 480-792-7200  
Santa Clara - 408-961-6444  
Toronto - 905-673-0699

### Europe

Austria - Wels - 43-7242-2244-39  
Denmark - Copenhagen - 45-4450-2828  
France - Paris - 33-1-69-53-63-20  
Germany - Munich - 49-89-627-144-0  
Italy - Milan - 39-0331-742611  
Netherlands - Drunen - 31-416-690399  
Spain - Madrid - 34-91-708-08-90  
UK - Wokingham - 44-118-921-5869

### Asia/Pacific

Australia - Sydney - 61-2-9868-6733  
China - Beijing - 86-10-8569-2100

### Asia/Pacific (Continued)

China - Chengdu - 86-28-8665-5511  
China - Chongqing - 86-23-8980-9588  
China - Hangzhou - 86-571-8792-8115  
China - Hong Kong SAR - 852-2943-5100  
China - Nanjing - 86-25-8473-2460  
China - Qingdao - 86-532-8502-7355  
China - Shanghai - 86-21-5407-5533  
China - Shenyang - 86-24-2334-2829  
China - Shenzhen - 86-755-8864-2200  
China - Wuhan - 86-27-5980-5300  
China - Xiamen - 86-592-2388138  
China - Xian - 86-29-8833-7252  
China - Zhuhai - 86-756-3210040  
India - Bangalore - 91-80-3090-4444  
India - New Delhi - 91-11-4160-8631  
India - Pune - 91-20-3019-1500  
Japan - Osaka - 81-6-6152-7160  
Japan - Tokyo - 81-3-6880-3770  
Korea - Daegu - 82-53-744-4301  
Korea - Seoul - 82-2-554-7200  
Malaysia - Kuala Lumpur - 60-3-6201-9857  
Malaysia - Penang - 60-4-227-8870  
Philippines - Manila - 63-2-634-9065  
Singapore - 65-6334-8870  
Taiwan - Hsin Chu - 886-3-5778-366  
Taiwan - Kaohsiung - 886-7-213-7840  
Taiwan - Taipei - 886-2-2508-8600  
Thailand - Bangkok - 66-2-694-1351

01/11/17



Microchip Technology Inc. • 2355 West Chandler Blvd. • Chandler, AZ 85224-6199

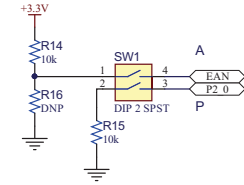
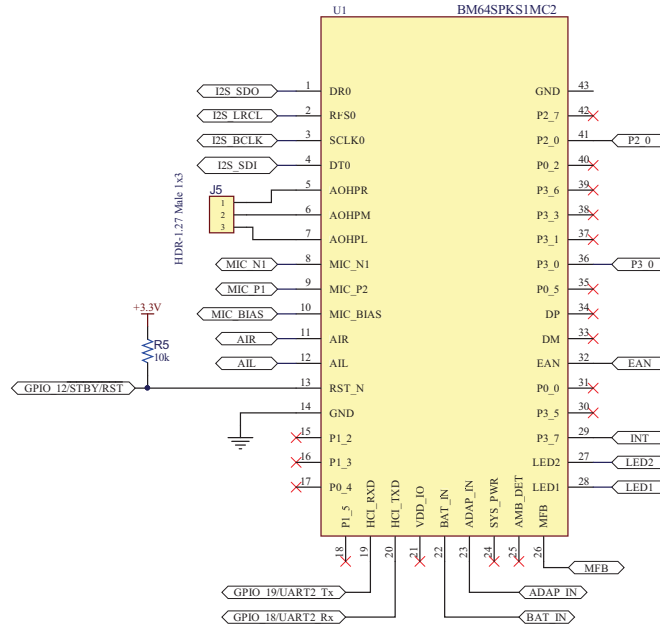
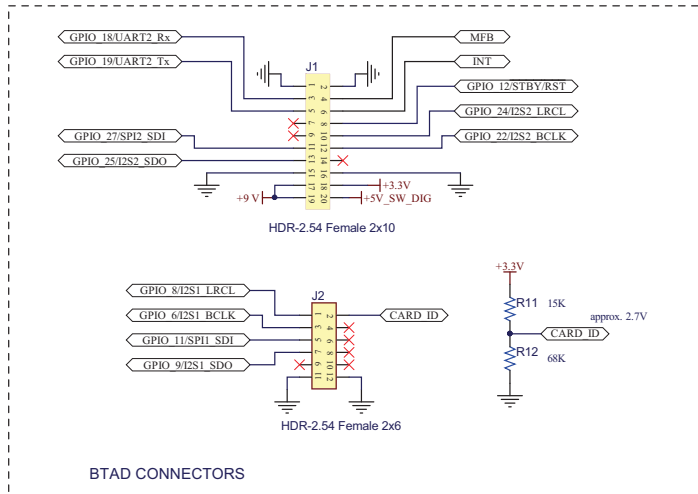
[www.microchip.com](http://www.microchip.com)

The Microchip name and logo, the Microchip logo, and MPLAB are registered trademarks of Microchip Technology Incorporated in the U.S.A. and other countries. All other trademarks mentioned herein are property of their respective companies. © 2014, Microchip Technology Incorporated, Printed in the U.S.A. All Rights Reserved. 01/17

DS50002607A



# PIC32 Bluetooth Daughter Board - BM64 Schematics



SW1 SETTINGS		
	EAN	P2_0
ROM APP	ON	OFF
ROM TEST	ON	ON
Flash APP	OFF	OFF
Flash TEST	OFF	ON

