



Chipsmall Limited consists of a professional team with an average of over 10 year of expertise in the distribution of electronic components. Based in Hongkong, we have already established firm and mutual-benefit business relationships with customers from,Europe,America and south Asia,supplying obsolete and hard-to-find components to meet their specific needs.

With the principle of “Quality Parts,Customers Priority,Honest Operation,and Considerate Service”,our business mainly focus on the distribution of electronic components. Line cards we deal with include Microchip,ALPS,ROHM,Xilinx,Pulse,ON,Everlight and Freescale. Main products comprise IC,Modules,Potentiometer,IC Socket,Relay,Connector.Our parts cover such applications as commercial,industrial, and automotives areas.

We are looking forward to setting up business relationship with you and hope to provide you with the best service and solution. Let us make a better world for our industry!



Contact us

Tel: +86-755-8981 8866 Fax: +86-755-8427 6832

Email & Skype: info@chipsmall.com Web: www.chipsmall.com

Address: A1208, Overseas Decoration Building, #122 Zhenhua RD., Futian, Shenzhen, China



**ebm-papst St. Georgen GmbH & Co. KG**

Hermann-Papst-Str. 1
 D-78112 St. Georgen
 Phone +49 (0) 7724 81-0
 Fax +49 (0) 7724 81-1309
 info2@de.ebmpapst.com
 www.ebmpapst.com

Nominal data

| Type | AC 3200 JH | |
|--------------------------|-------------------|-----------|
| Phase | | 1~ |
| Nominal voltage | VAC | 115 |
| Nominal voltage range | VAC | 85 .. 265 |
| Frequency | Hz | 50 |
| Speed (rpm) | min ⁻¹ | 6800 |
| Power consumption | W | 12 |
| Min. ambient temperature | °C | -20 |
| Max. ambient temperature | °C | 70 |
| Air flow | m ³ /h | 144 |
| Sound power level | B | 6.4 |
| Sound pressure level | dB(A) | 55 |

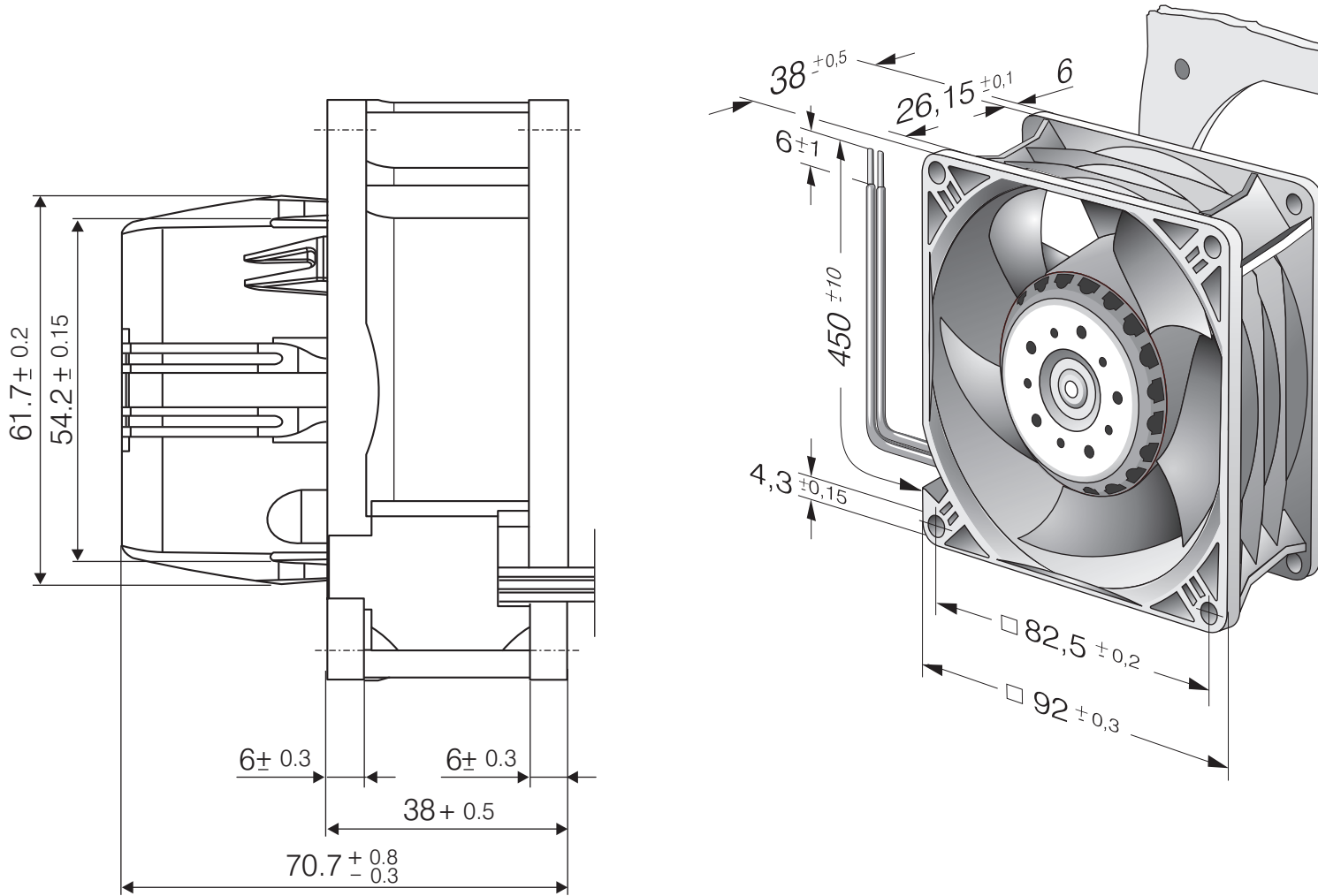
ml = Max. load · me = Max. efficiency · fa = Free air · cs = Customer specification · ce = Customer equipment
 Subject to change



Technical description

| | |
|--|--|
| General description | Usable with all line voltages between 85 and 265 VAC |
| Housing material | Glass-fiber reinforced PBTP plastic |
| Weight | 0.325 kg |
| Dimensions | 92 x 92 x 38 mm |
| Impeller material | Glass-fiber reinforced PA plastic |
| Airflow direction | Exhaust over struts |
| Direction of rotation | Clockwise, viewed toward rotor |
| Degree of protection | IP20 |
| Storage | Ball bearing |
| Service life L10 at 40 °C | 70000 h |
| Service life L10 at maximum temperature | 35000 h |
| Cable | With leads AWG 22, TR 64 |
| Motor protection | Protected against locked rotor. |
| Approval | VDE, CSA, UL, CCC, CE |
| Option | Open-loop speed control, sensor and alarm signal; improved moisture protection or degree of protection IP54. |

Product drawing



Curves: Air performance

