



Chipsmall Limited consists of a professional team with an average of over 10 year of expertise in the distribution of electronic components. Based in Hongkong, we have already established firm and mutual-benefit business relationships with customers from,Europe,America and south Asia,supplying obsolete and hard-to-find components to meet their specific needs.

With the principle of “Quality Parts,Customers Priority,Honest Operation,and Considerate Service”,our business mainly focus on the distribution of electronic components. Line cards we deal with include Microchip,ALPS,ROHM,Xilinx,Pulse,ON,Everlight and Freescale. Main products comprise IC,Modules,Potentiometer,IC Socket,Relay,Connector.Our parts cover such applications as commercial,industrial, and automotives areas.

We are looking forward to setting up business relationship with you and hope to provide you with the best service and solution. Let us make a better world for our industry!



Contact us

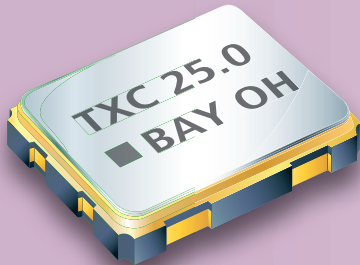
Tel: +86-755-8981 8866 Fax: +86-755-8427 6832

Email & Skype: info@chipsmall.com Web: www.chipsmall.com

Address: A1208, Overseas Decoration Building, #122 Zhenhua RD., Futian, Shenzhen, China



SMD Oscillators- CMOS Output 5.0 x 3.2 x 1.2 mm AC Series



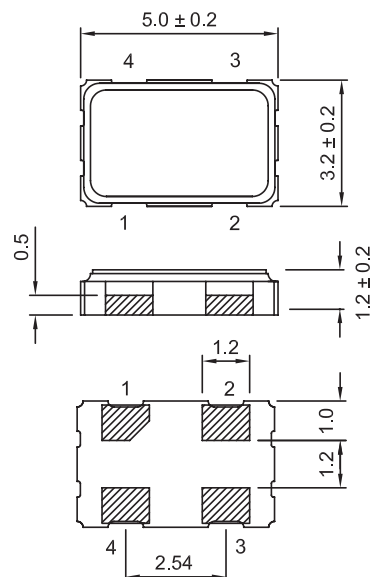
Features

- Ultra small SMD seam sealed clock crystal oscillator units.
- High precision characteristic covering up to high frequency range.
- Designed for automatic mounting and reflow soldering.
- Tri-State function available.
- Supply voltage range : 1.8 V ~ 3.3 V.
- High stability, low jitter , low power consumption.
- RoHS Compliant / Pb Free.

Electrical Specifications

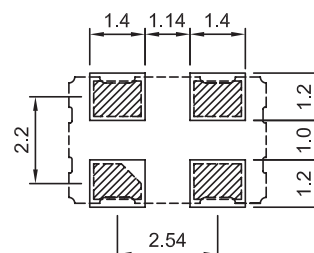
Item / Type	AC	
Output Type	CMOS	
Output Load	15 pF	
Oscillation Mode	Fundamental	
Supply Voltage	1.8 V , 2.5 V , 2.8 V , 3.3 V	
Frequency Range	1 MHz ~ 70 MHz , 10 mA Max.	
Frequency Stability	± 25 ppm , ± 50 ppm , ± 100 ppm	± 50 ppm , ± 100 ppm
Operating Temperature Range	- 40 ~ + 85 °C	- 40 ~ + 105 °C
Storage Temperature Range	- 55 ~ + 125 °C	
Voltage Vol (Max.) / Voh (Min.)	0.1 VDD / 0.9 VDD	
Rise (Tr) / Fall (Tf) Time	5 ns Max.	
Supply Current	1-70 MHz 10mA Max.	
Symmetry	45 ~ 55 %	
Start-up Time	5 ms Max.	
Phase Jitter (12 KHz ~ 20 MHz)	1 ps Max.	
Aging (at 25 °C)	± 3 ppm / year Max.	
Reliability Standard	AEC-Q100	

Dimensions



PAD FUNCTION:
1:ENABLE CONTROL
2:GND
3:OUT
4:VDD

Suggested Layout



Units: mm