



Chipsmall Limited consists of a professional team with an average of over 10 year of expertise in the distribution of electronic components. Based in Hongkong, we have already established firm and mutual-benefit business relationships with customers from,Europe,America and south Asia,supplying obsolete and hard-to-find components to meet their specific needs.

With the principle of "Quality Parts,Customers Priority,Honest Operation,and Considerate Service",our business mainly focus on the distribution of electronic components. Line cards we deal with include Microchip,ALPS,ROHM,Xilinx,Pulse,ON,Everlight and Freescale. Main products comprise IC,Modules,Potentiometer,IC Socket,Relay,Connector.Our parts cover such applications as commercial,industrial, and automotives areas.

We are looking forward to setting up business relationship with you and hope to provide you with the best service and solution. Let us make a better world for our industry!



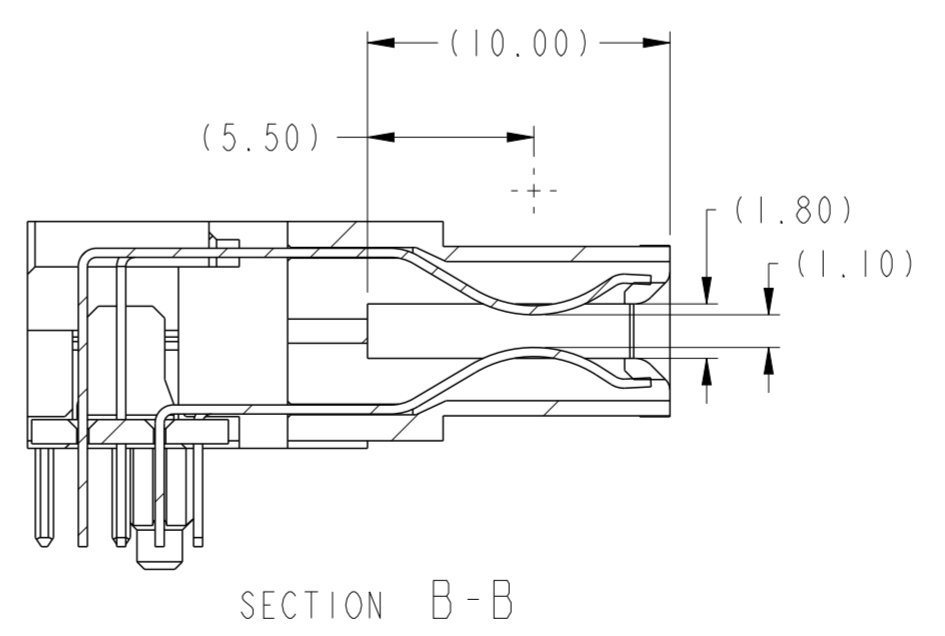
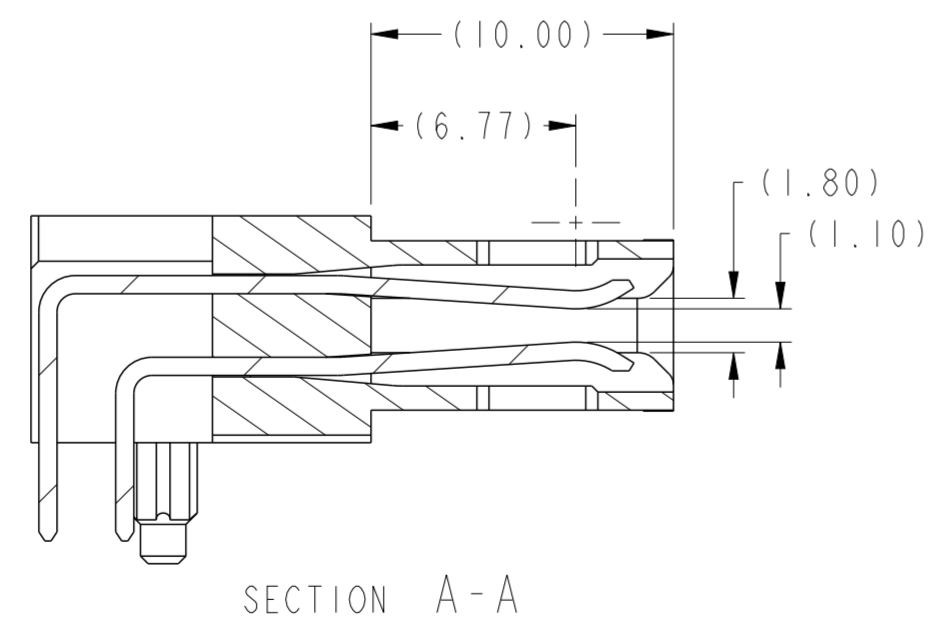
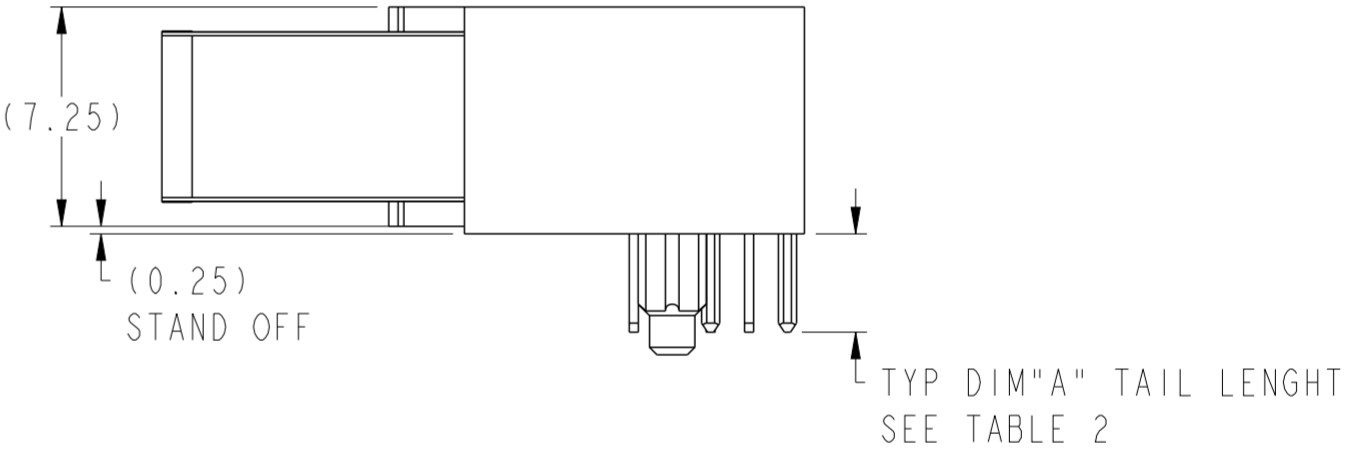
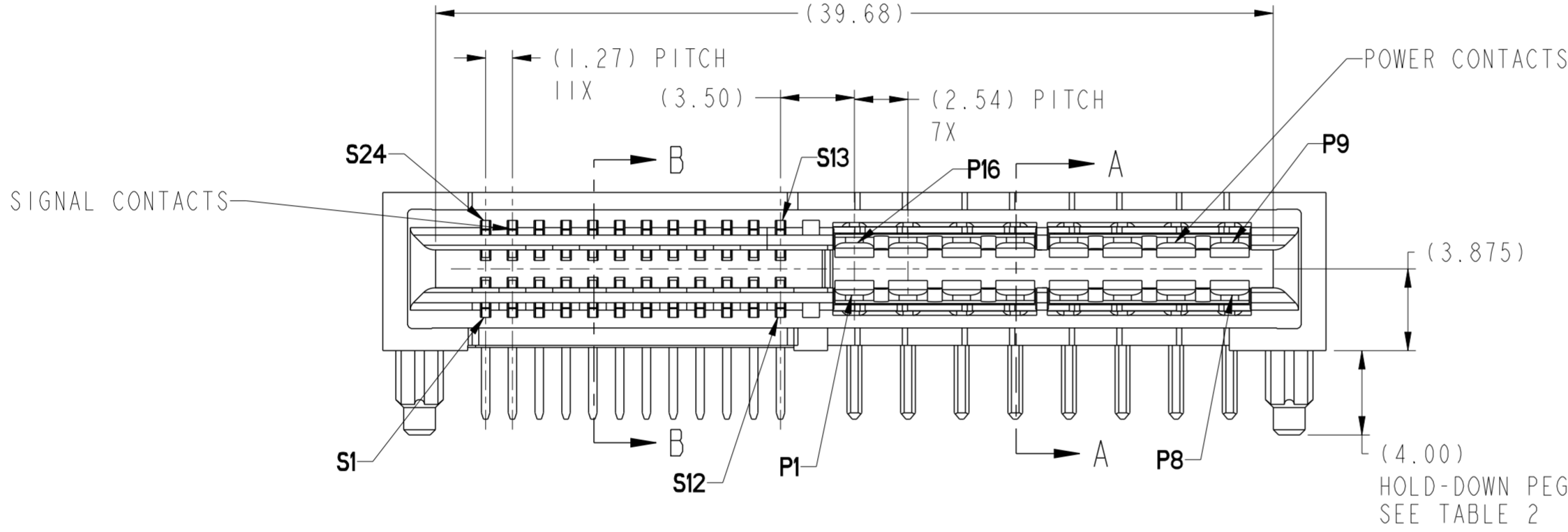
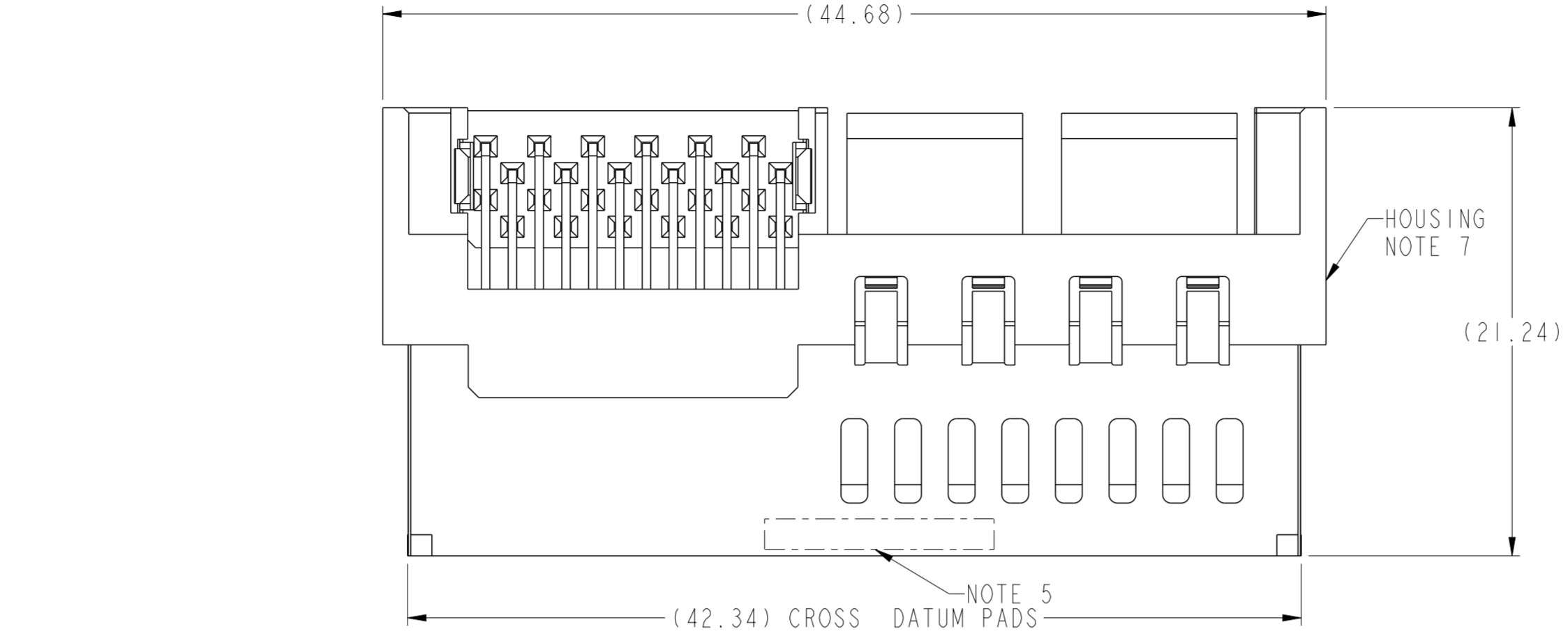
Contact us

Tel: +86-755-8981 8866 Fax: +86-755-8427 6832

Email & Skype: info@chipsmall.com Web: www.chipsmall.com

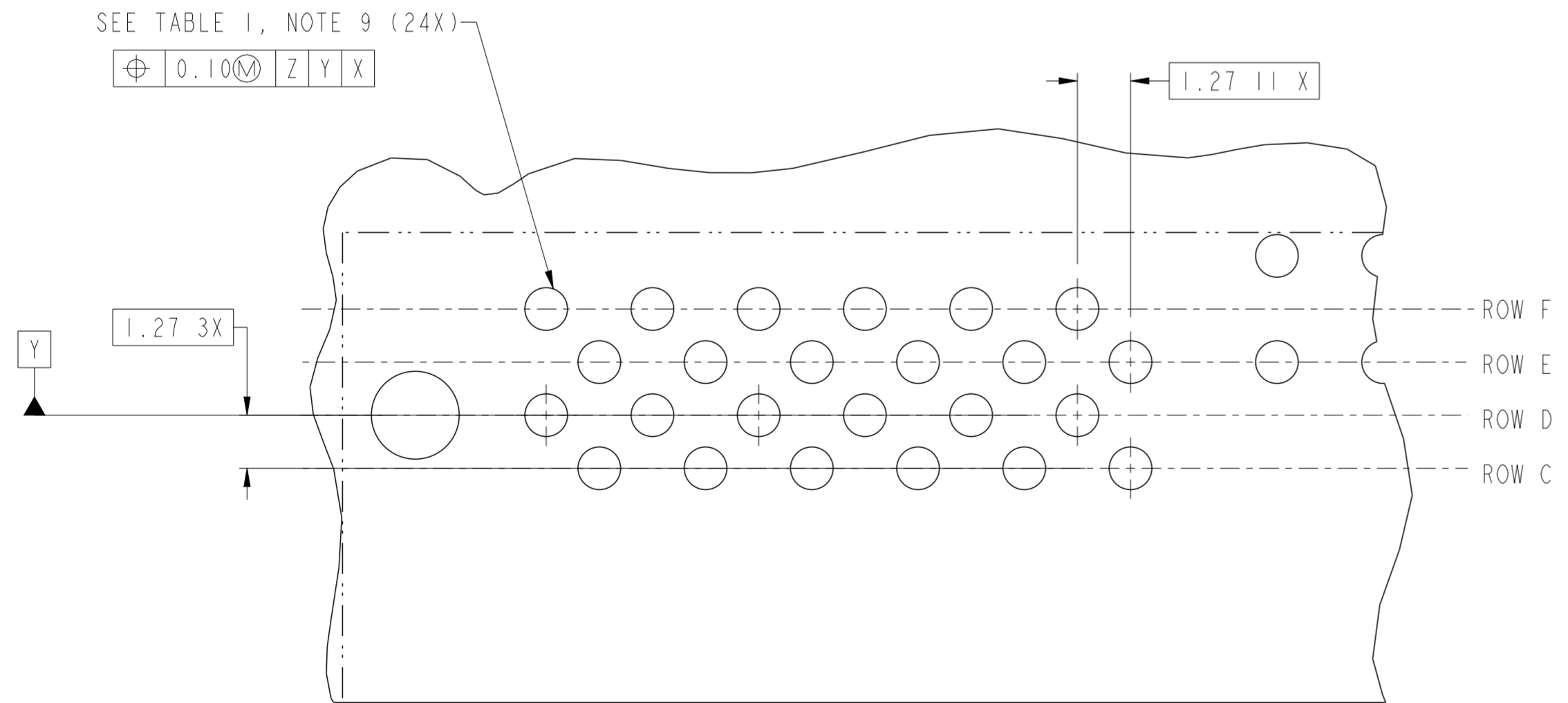
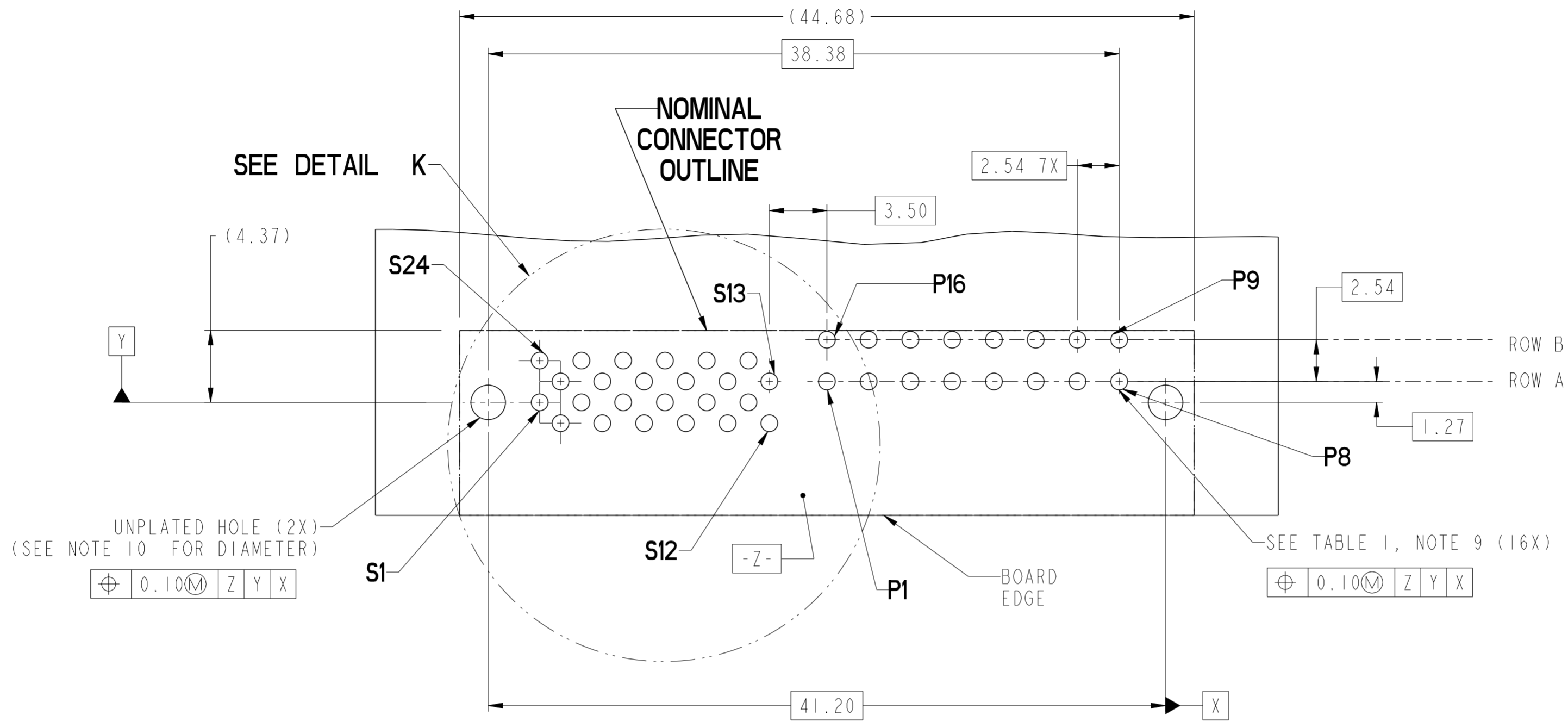
Address: A1208, Overseas Decoration Building, #122 Zhenhua RD., Futian, Shenzhen, China



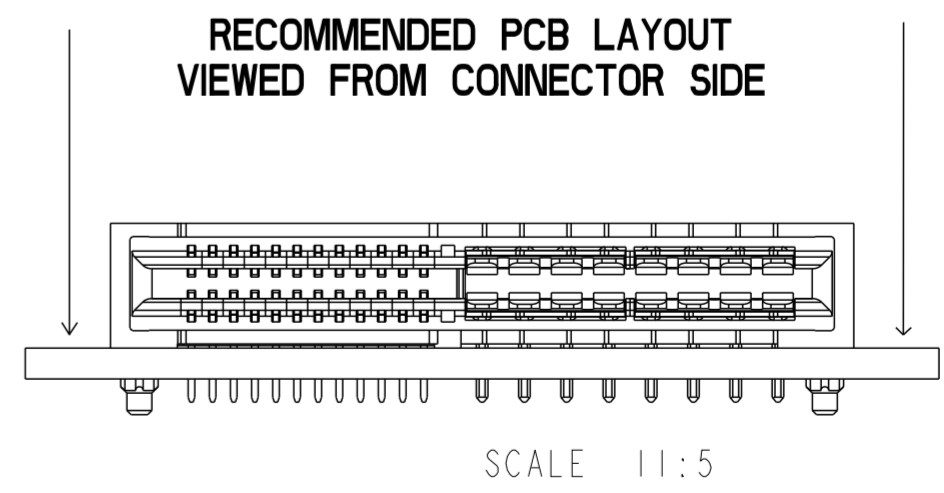


rev	ecn no	dr	date	spec ref	tolerance std	dr	2011/08/08	projection	MM	size	A2	scale	4:1
A	---	WL	2011-09-06			eng	2011/09/26			ecn no	-	rel level	Released
-	-	-	-			chr	2011/09/26						
-	-	-	-			appr	2011/09/26	product family	-	rel level	-	-	-
				surface	<input checked="" type="checkbox"/> linear <input type="checkbox"/> angular	FCI www.fci.com		TITLE RIGHT ANGLE 24S16P HIGH POWER CARD EDGE		dwg no 10118868	rev A	Product - Customer Drw sheet 1 of 4	

Copyright FCI. FCI



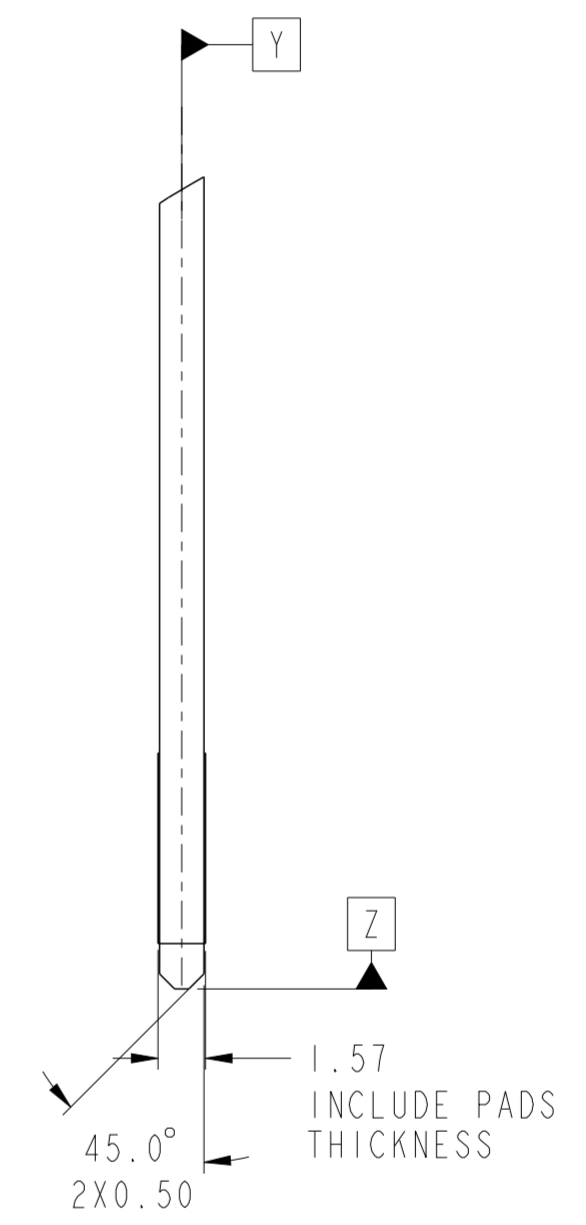
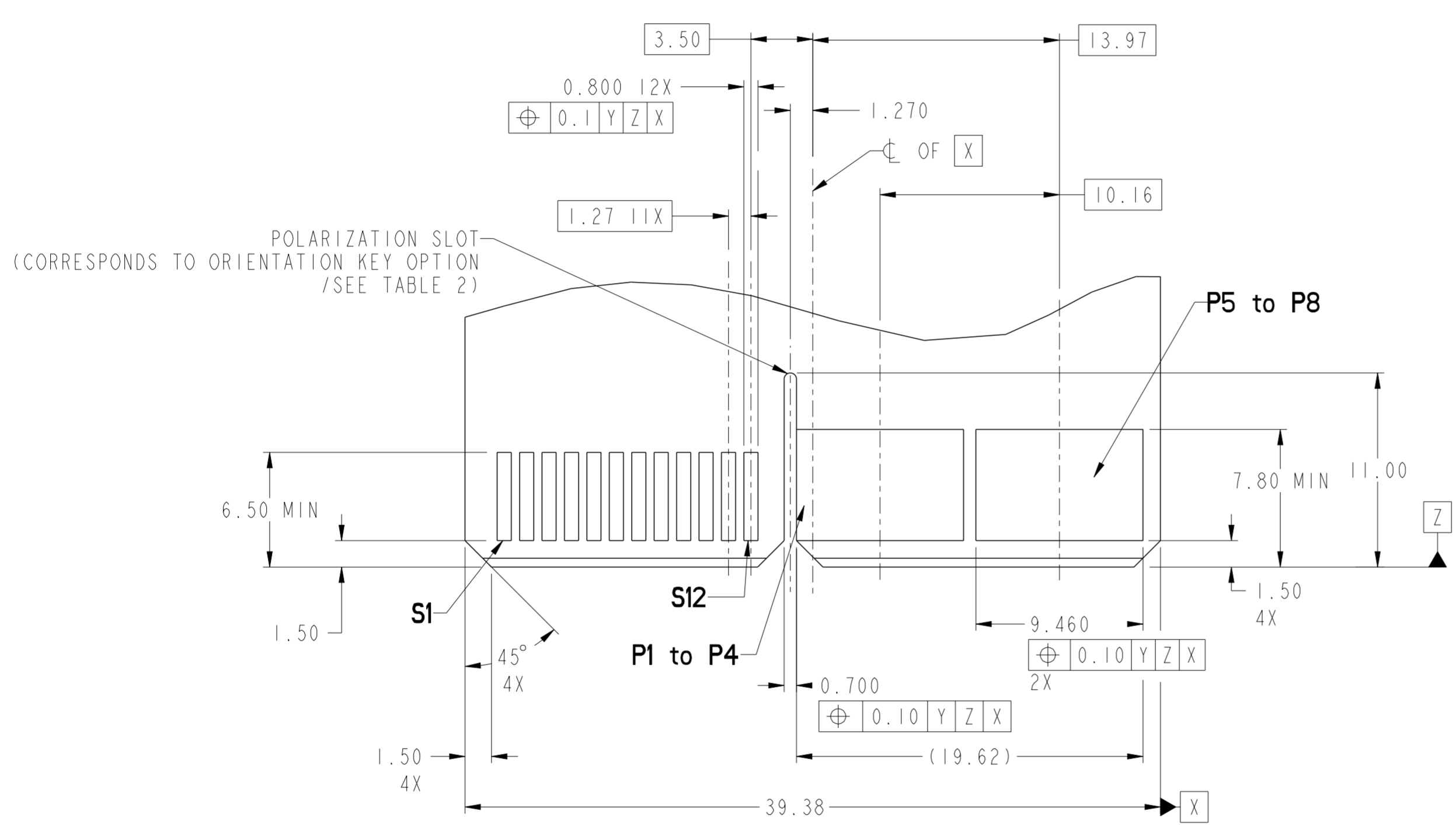
DETAIL K
SCALE 8:1



dr	Wei-Long Zhang	2011/08/08	projection	MM	size	A2	scale	4:1
eng	Wei-Long Zhang	2011/09/26			ecn no	-	rel level	Released
chr	Jon Qin	2011/09/26						
appr	Pei-Ming Zheng	2011/09/26	product family	-				
			TITLE RIGHT ANGLE 24SI6P HIGH POWER CARD EDGE			dwg no 10118868		rev A
www.fci.com			cat. no.			Product - Customer Drw		sheet 2 of 4

Copyright FCI.

CONTACT TYPE	TOP LAYER DESCRIPTION	TABLE 1 (HPCE / SOLDER TAILS) PLATED THROUGH-HOLE REQUIREMENTS				
		DRILLED HOLE DIAMETER	COPPER THICKNESS	TIN-LEAD THICKNESS	TIN THICKNESS	FINISHED HOLE DIAMETER
POWER & SIGNAL	TIN-LEAD	1.10-1.16 (1.15 DRILL)	0.025 - 0.050	0.005 - 0.015	--	0.94 - 1.10
	IMMERSION TIN	1.10-1.16 (1.15 DRILL)	0.025 - 0.050	--	0.9 - 1.5um	0.94 - 1.10
	COPPER (SEE NOTE 8)	1.10-1.16 (1.15 DRILL)	0.025 - 0.050	--	--	0.94 - 1.10

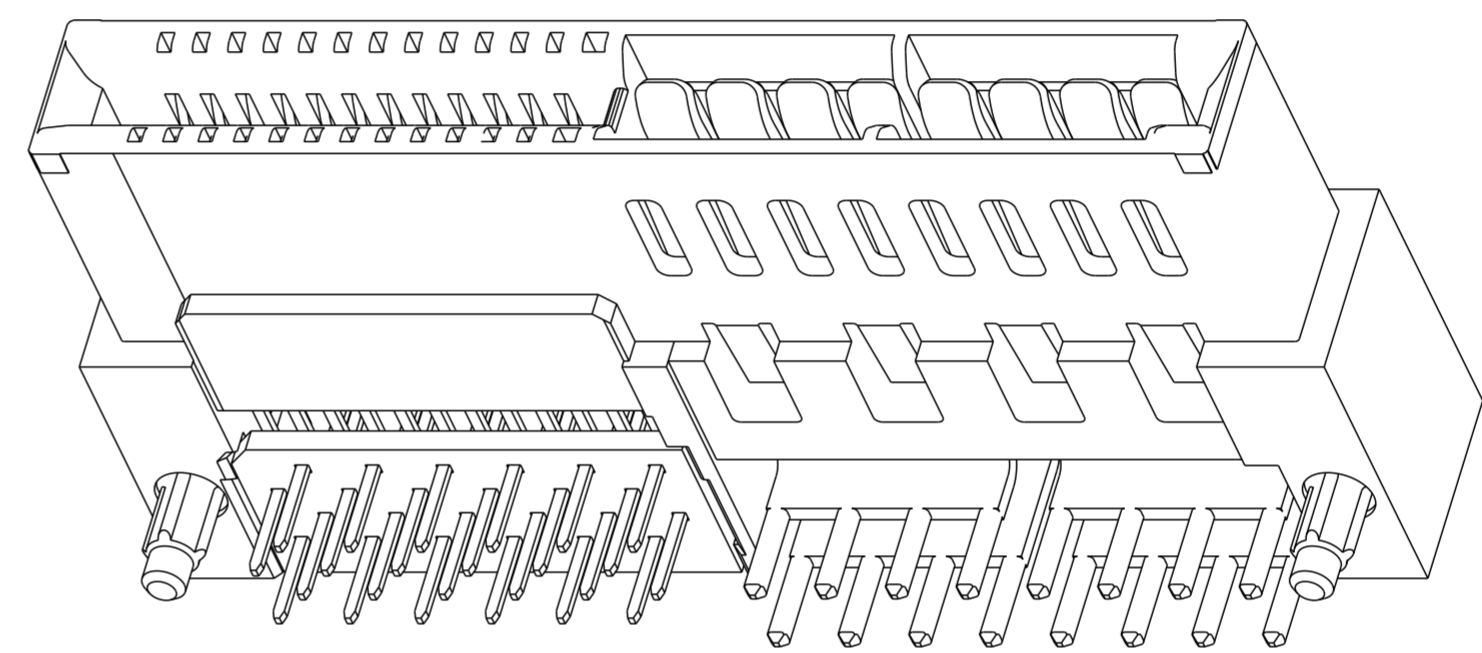


RECOMMENDED MATING BOARD FOOTPRINT

dr	Wei-Long Zhang	2011/08/08	projection	MM	size	A2	scale	4:1
eng	Wei-Long Zhang	2011/09/26			ecn no	-	rel level	Released
chr	Jon Qin	2011/09/26			product family	-		
appr	Pei-Ming Zheng	2011/09/26			cat. no.	-	Product - Customer Drw	sheet 3 of 4
title RIGHT ANGLE 24S16P HIGH POWER CARD EDGE			dwg no 10118868		rev A			

Copyright FCI. FCI

HPCE PART NUMBER (TABLE 2)				
10118868	TAIL TYPE	HOLD-DOWN OPTION	ORIENTATION KEY	DIM "A" TYPICAL TAIL LENGTH
10118868-001LF	SOLDER TAIL	NO	YES	3.25±0.50
10118868-002LF			NO	
10118868-003LF		YES	YES	
10118868-004LF			NO	



NOTES:

1. CONNECTOR MATERIALS:
 - HOUSING: HIGH TEMPERATURE THERMAL PLASTIC, BLACK
UL 94V-0 COMPLIANT
 - CONTACTS: HIGH PERFORMANCE COPPER ALLOY.
2. CONTACT FINISH REF. GS-12-604 SECTION 5.2.
3. PRODUCT SPECIFICATION: GS-12-604.
4. APPLICATION SPECIFICATION: GS-20-128.
5. PRODUCT MARKING (FCI - PART NUMBER & DATE CODE) ON HOUSING IN AREA SHOWN.
6. PACKAGING MEETS FCI SPECIFICATION GS-14-937.
7. HOUSING COMPONENT WILL WITHSTAND EXPOSURE TO 260°C PEAK TEMPERATURE FOR 60 SECONDS IN A CONVECTION, INFRA-RED, OR VAPOR PHASE REFLOW OVEN.
8. COPPER PLATING THICKNESS IN CENTER OF VIA-HOLE CAN BE NO MORE THAN 0.003 LESS THAN OTHER AREAS.
9. ALL HOLE SIZES ARE FINISHED HOLE SIZES.
10. MOUNTING HOLES ARE UNPLATED
Ø 2.10 +/- 0.1 FOR SOLDER TAILS

dr	Wei-Long Zhang	2011/08/08	projection	MM	size	A2	scale	4:1
eng	Wei-Long Zhang	2011/09/26			ecn no	-		
chr	Jon Qin	2011/09/26			product family	-	rel level	Released
appr	Pei-Ming Zheng	2011/09/26			cat. no.	-	Product - Customer Drw	sheet 4 of 4
			title RIGHT ANGLE 24S16P HIGH POWER CARD EDGE			dwg no 10118868		rev A

Copyright FCI. FCI