



Chipsmall Limited consists of a professional team with an average of over 10 year of expertise in the distribution of electronic components. Based in Hongkong, we have already established firm and mutual-benefit business relationships with customers from,Europe,America and south Asia,supplying obsolete and hard-to-find components to meet their specific needs.

With the principle of “Quality Parts,Customers Priority,Honest Operation,and Considerate Service”,our business mainly focus on the distribution of electronic components. Line cards we deal with include Microchip,ALPS,ROHM,Xilinx,Pulse,ON,Everlight and Freescale. Main products comprise IC,Modules,Potentiometer,IC Socket,Relay,Connector.Our parts cover such applications as commercial,industrial, and automotives areas.

We are looking forward to setting up business relationship with you and hope to provide you with the best service and solution. Let us make a better world for our industry!



## Contact us

Tel: +86-755-8981 8866 Fax: +86-755-8427 6832

Email & Skype: info@chipsmall.com Web: www.chipsmall.com

Address: A1208, Overseas Decoration Building, #122 Zhenhua RD., Futian, Shenzhen, China



LOC	DIST	REVISIONS					
GP	00	P	LTN	DESCRIPTION	DATE	DWN	APVD
		A		RELEASED PER ECO-08-025381	15OCT2008	RG	PD
		B		REV PER ECO-10-004250	03MAR2010	RG	MS
		B1		REV PER ECO-15-015062	04FEB2016	SZ	SZ
		B2		ECO-16-005324	06APR2016	SZ	SZ

1 RECOMMENDED PRINTED CIRCUIT BOARD HOLE DIMENSIONS FOR COMPLIANT TAILS:  
 FINISHED HOLE TIN PLATING:  $\varnothing 0.56 \pm 0.05$   
 FINISHED HOLE BARE COPPER:  $\varnothing 0.575 \pm 0.05$   
 DRILLED HOLE:  $\varnothing 0.65 \pm 0.02$   
 COPPER PLATING THICKNESS (MAX HARDNESS 150 KNOOP): 0.025-0.050  
 TIN PLATING THICKNESS (MIN): 0.0038-0.0124  
 ORGANIC SOLDERABILITY PRESERVATIVE (OSP): USE WITH BARE COPPER.

2 PC BOARD THICKNESS 1.6mm MINIMUM.  
 3 DAUGHTERCARD PC BOARD THICKNESS IS  $1.6\text{mm} \pm 10\%$ . DIMENSION FROM PCB EDGE TO PLATED PAD SAND OPTIONAL PCB EDGE CHAMFERS ARE BASED ON 2 OZ. MAX. THICK COPPER LAYERS TYPICAL FOR POWER APPLICATIONS AND 1mm PCB PROFILE CHAMFER TO PREVENT COPPER EDGE FROM ENGAGING BEFORE PCB SUBSTRATE MATERIAL.

4 26.90mm TO  $\varnothing$  OF ADJACENT CROWN EDGE CONNECTOR.  
 5. MATERIAL: HOUSING AND OVERMOLDS: LCP, BLACK, UL94V-0 RATED  
 CONTACTS: COPPER ALLOY.

6 FINISH: MATING AREA- 0.76 $\mu\text{m}$  MIN. GOLD OVER 3.81 MICROMETER MIN. NICKEL PLATE.  
 0.64 $\mu\text{m}$  MIN. GOLD ON ADJACENT FLAT SIDES IN MATING AREA.  
 COMPLIANT PIN AREA- 1.27 $\mu\text{m}$  MIN. MATTE TIN PLATE OVER 1.27 $\mu\text{m}$  MIN.  
 NICKEL PLATE. MATING AREA AND ADJACENT FLAT SIDES LUBRICATED  
 WITH BELLCORE APPROVED LUBRICANT. TECHNICAL REFERENCE  
 GR-1217-CORE ISSUE 1, NOVEMBER 1995.

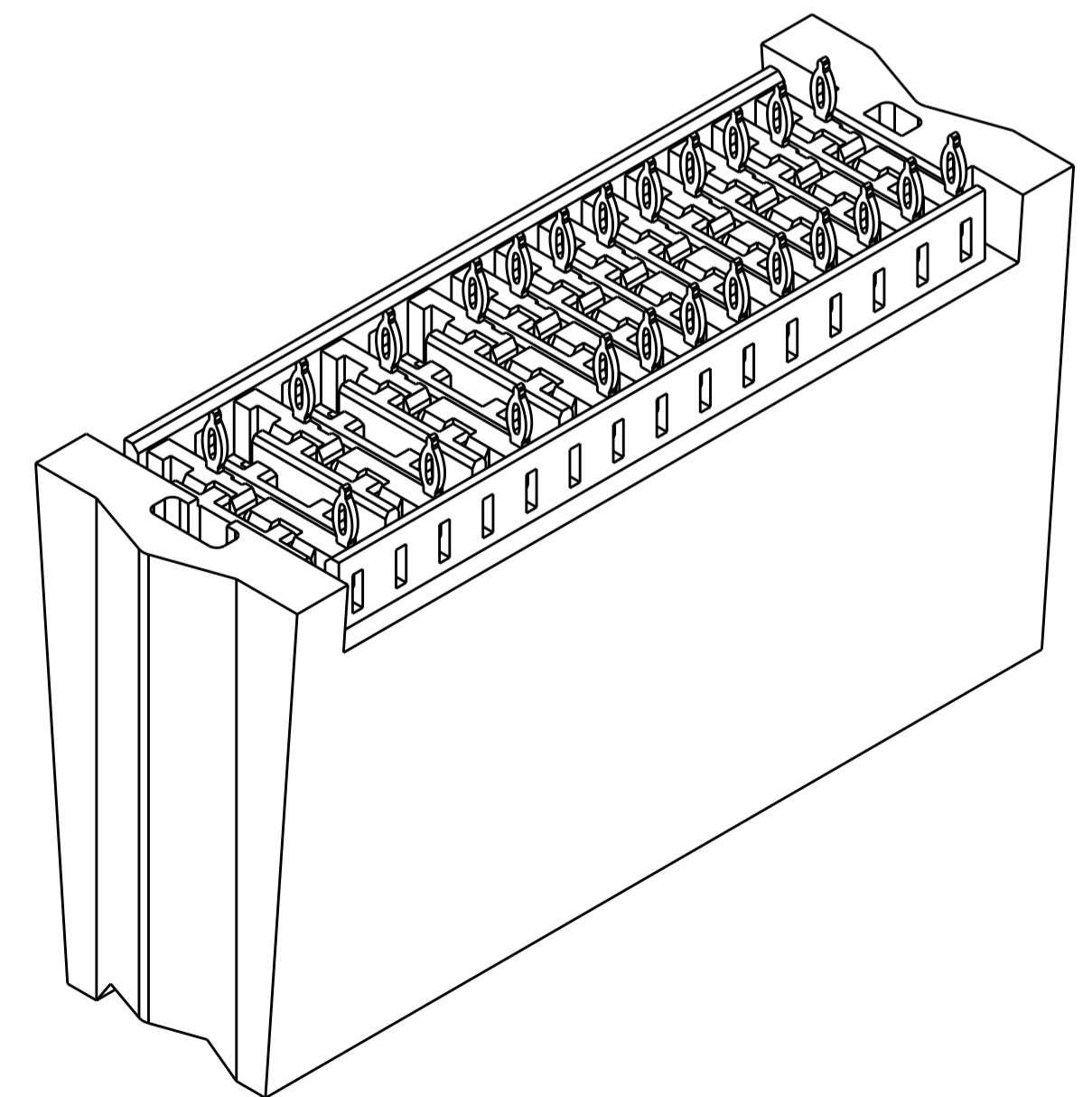
7 FINISH: MATING AREA- 1.27 $\mu\text{m}$  MIN. GOLD OVER 3.81 $\mu\text{m}$  MIN. NICKEL PLATE  
 0.64 $\mu\text{m}$  MIN. GOLD ON ADJACENT FLAT SIDES IN MATING AREA.  
 COMPLIANT PIN AREA- 1.27 $\mu\text{m}$  MIN. MATTE TIN PLATE OVER 1.27 $\mu\text{m}$  MIN.  
 NICKEL PLATE. MATING AREA AND ADJACENT FLAT SIDES LUBRICATED  
 WITH BELLCORE APPROVED LUBRICANT. TECHNICAL REFERENCE  
 GR-1217-CORE ISSUE 1, NOVEMBER 1995.

8 FINISH: MATING AREA- 0.76 $\mu\text{m}$  MIN. GOLD OVER 1.27 $\mu\text{m}$  MIN. NICKEL PLATE.  
 0.076 $\mu\text{m}$  MIN. GOLD ON ADJACENT FLAT SIDES IN MATING AREA.  
 COMPLIANT PIN AREA- 1.27 $\mu\text{m}$  MIN. MATTE TIN PLATE OVER 1.27 $\mu\text{m}$  MIN.  
 NICKEL PLATE. MATING AREA AND ADJACENT FLAT SIDES LUBRICATED  
 WITH BELLCORE APPROVED LUBRICANT. TECHNICAL REFERENCE GR-1217-CORE  
 ISSUE 1, NOVEMBER 1995.

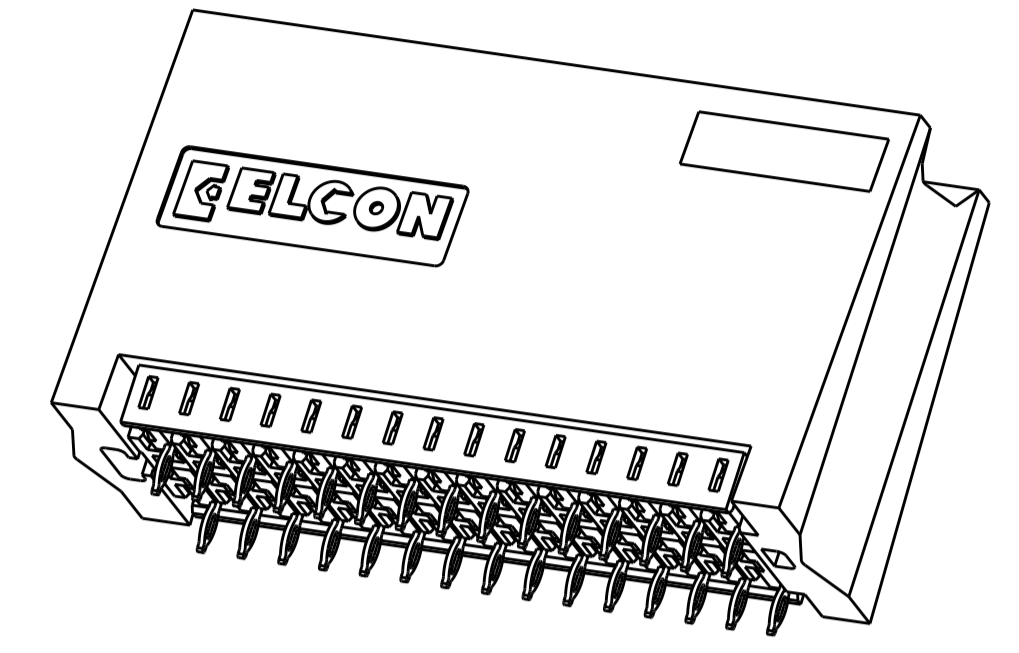
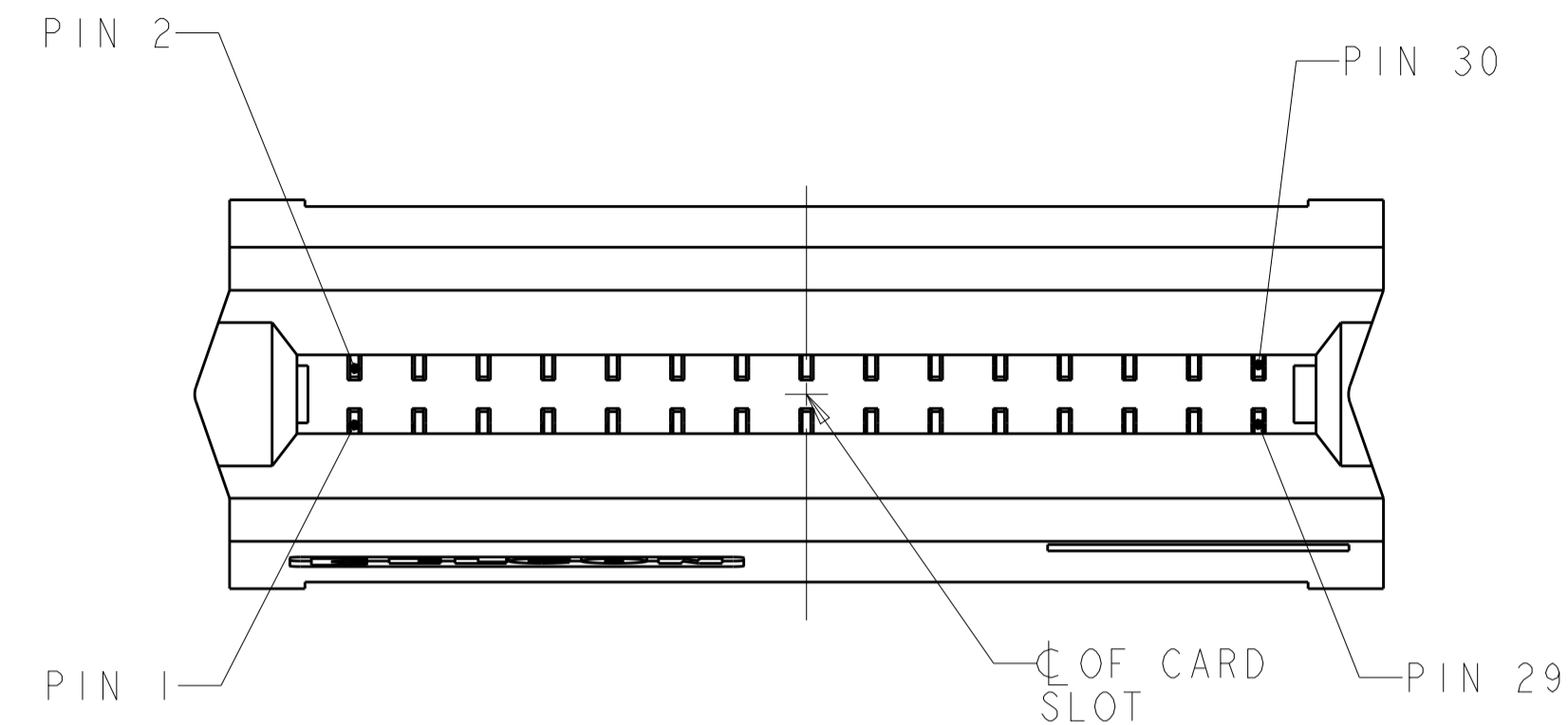
9. 450 LBS MAXIMUM FORCE ALLOWED ON TOP OF HOUSING DURING APPLICATION TO PCB TO PREVENT HOUSING DAMAGE.

10 FINISH: MATING AREA- 2.54 $\mu\text{m}$  MIN. GOLD OVER 3.81 $\mu\text{m}$  MIN. NICKEL PLATE  
 0.64 $\mu\text{m}$  MIN. GOLD ON ADJACENT FLAT SIDES IN MATING AREA.  
 COMPLIANT PIN AREA- 1.27 $\mu\text{m}$  MIN. MATTE TIN PLATE OVER 1.27 $\mu\text{m}$  MIN.  
 NICKEL PLATE. MATING AREA AND ADJACENT FLAT SIDES LUBRICATED  
 WITH BELLCORE APPROVED LUBRICANT. TECHNICAL REFERENCE  
 GR-1217-CORE ISSUE 1, NOVEMBER 1995.

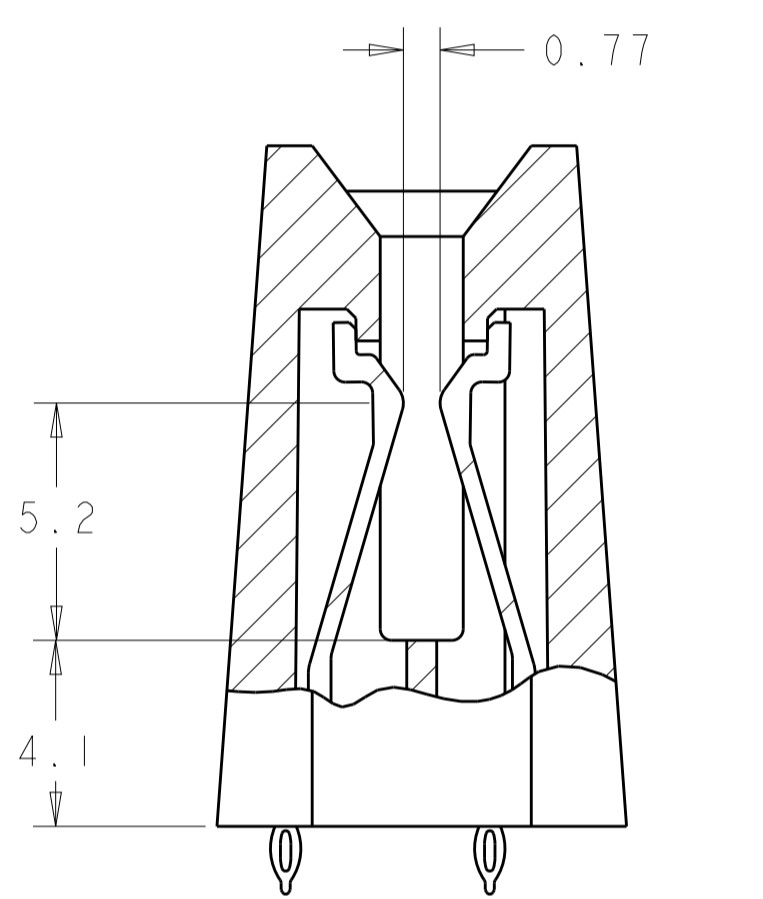
11 PREPRODUCTION, FASR REQUIRED  
 12 PART NUMBER WITH PIN OMITTED, SEE TABLE FOR LOCATION



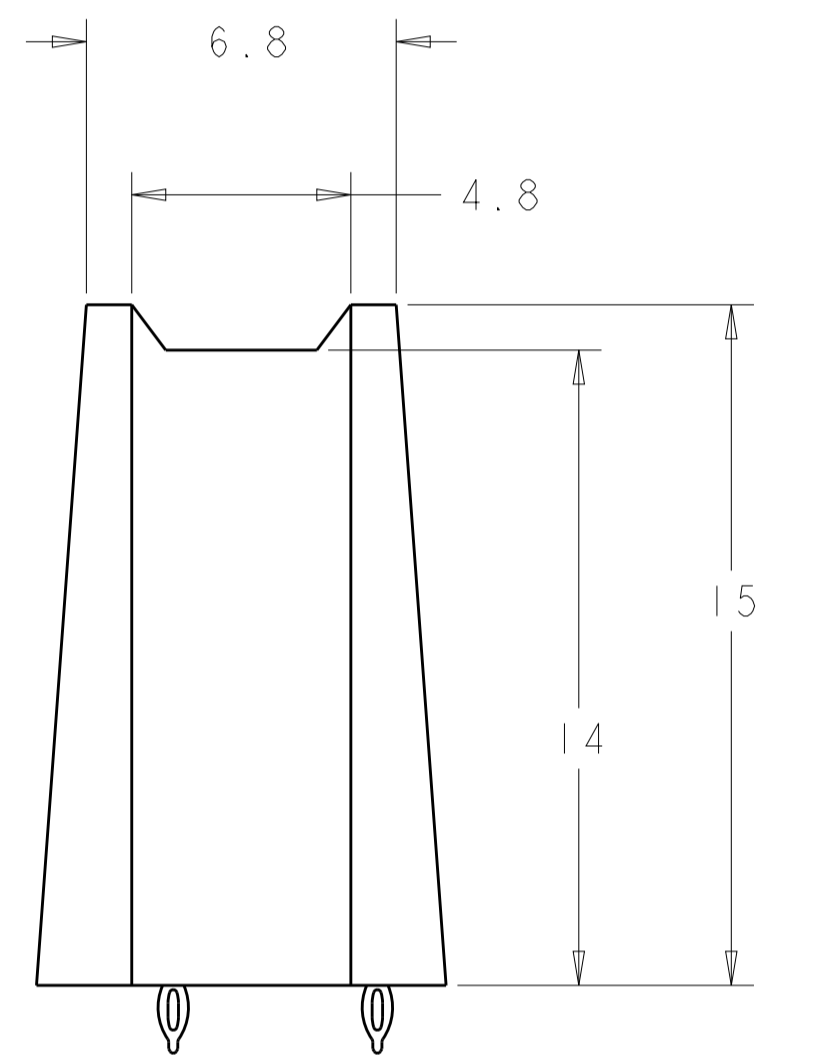
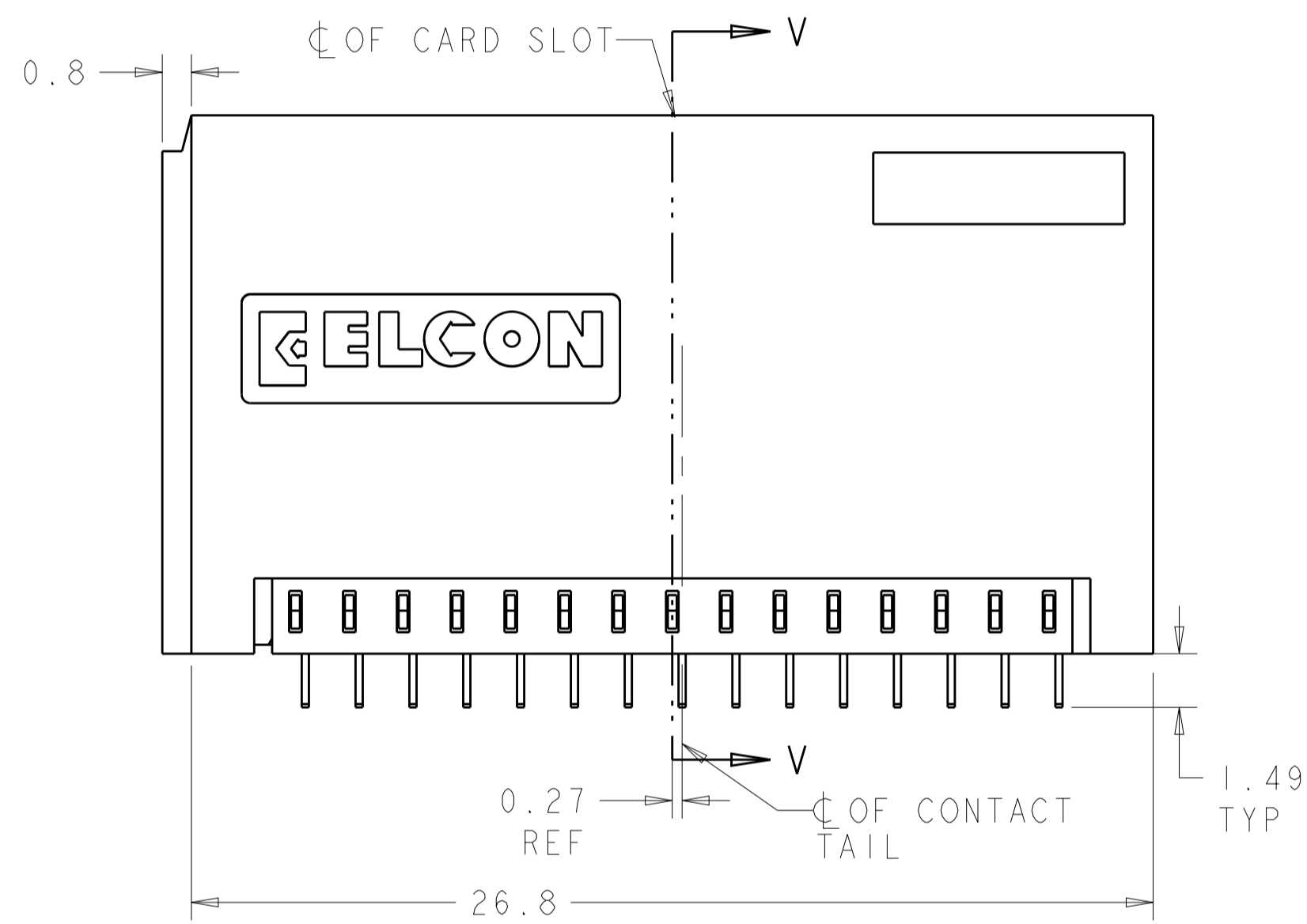
1926088-5  
 WITH PIN 3,4,7,8,11,12 OMITTED



SCALE 4:1



SECTION V-V



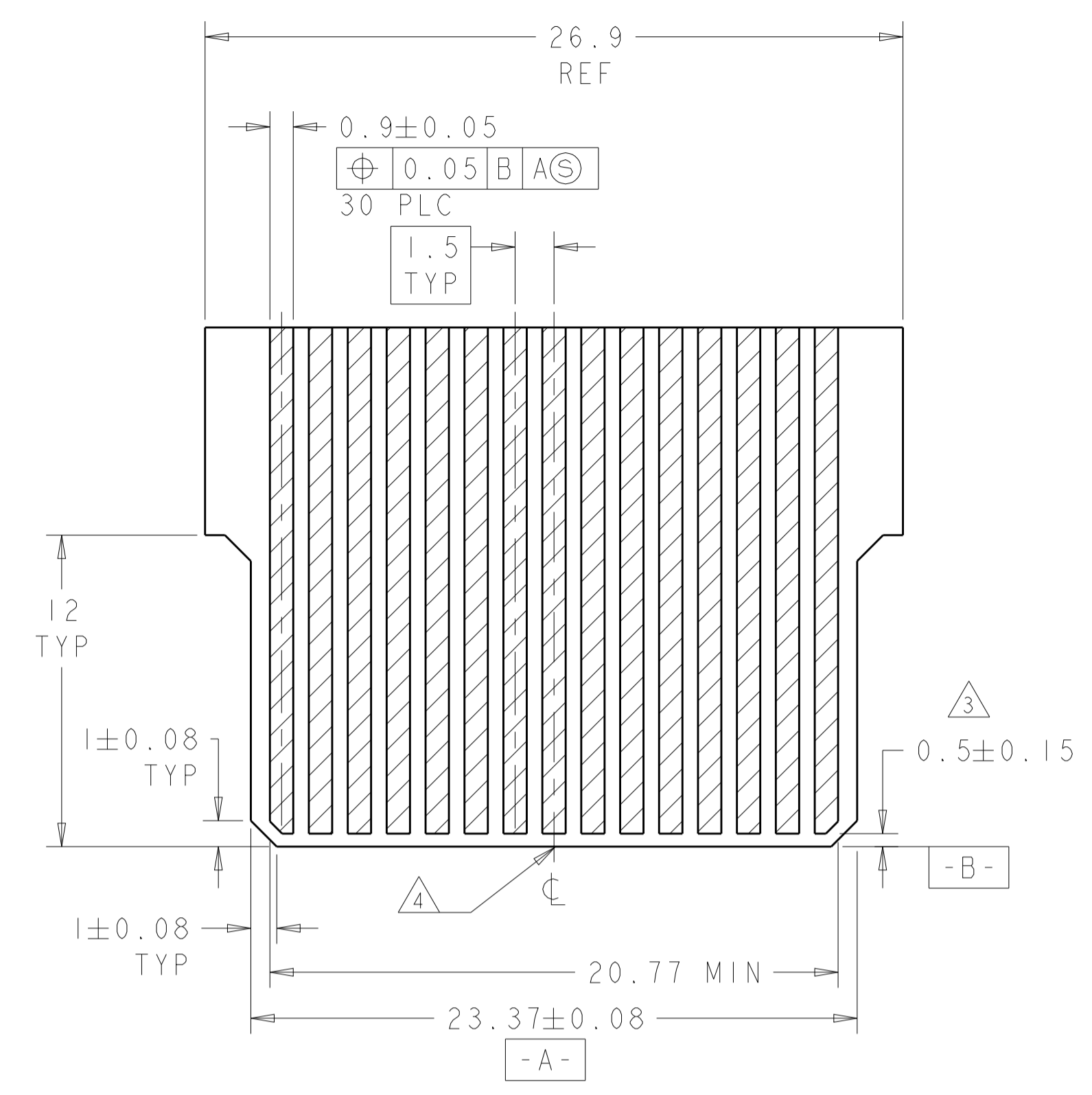
3, 4, 7, 8, 11, 12				1926088-5
				1926088-4
				1926088-3
				1926088-2
				1926088-1
OMITTED PIN	IBM PART NO	FINISH	PART NO	
	42R4709			

DIMENSIONS:		TOLERANCES UNLESS OTHERWISE SPECIFIED:		DWN: JIM VAN SCOOC 06MAR2006		Tyco Electronics	
mm	0 PLC $\pm 0.25$	1 PLC $\pm 0.25$	2 PLC $\pm 0.13$	3 PLC $\pm 0.08$	4 PLC $\pm 0.08$	ANGLES $\pm 1^{\circ}$	FINISH
MATERIAL							
CUSTOMER DRAWING				SCALE	3:1	SHEET	1 OF 2
NAME				ASSEMBLY, CROWN EDGE, VERTICAL CARD EDGE, 30 SIGNAL POSITION			
SIZE				A1 00779 C=1926088			
RESTRICTED TO							

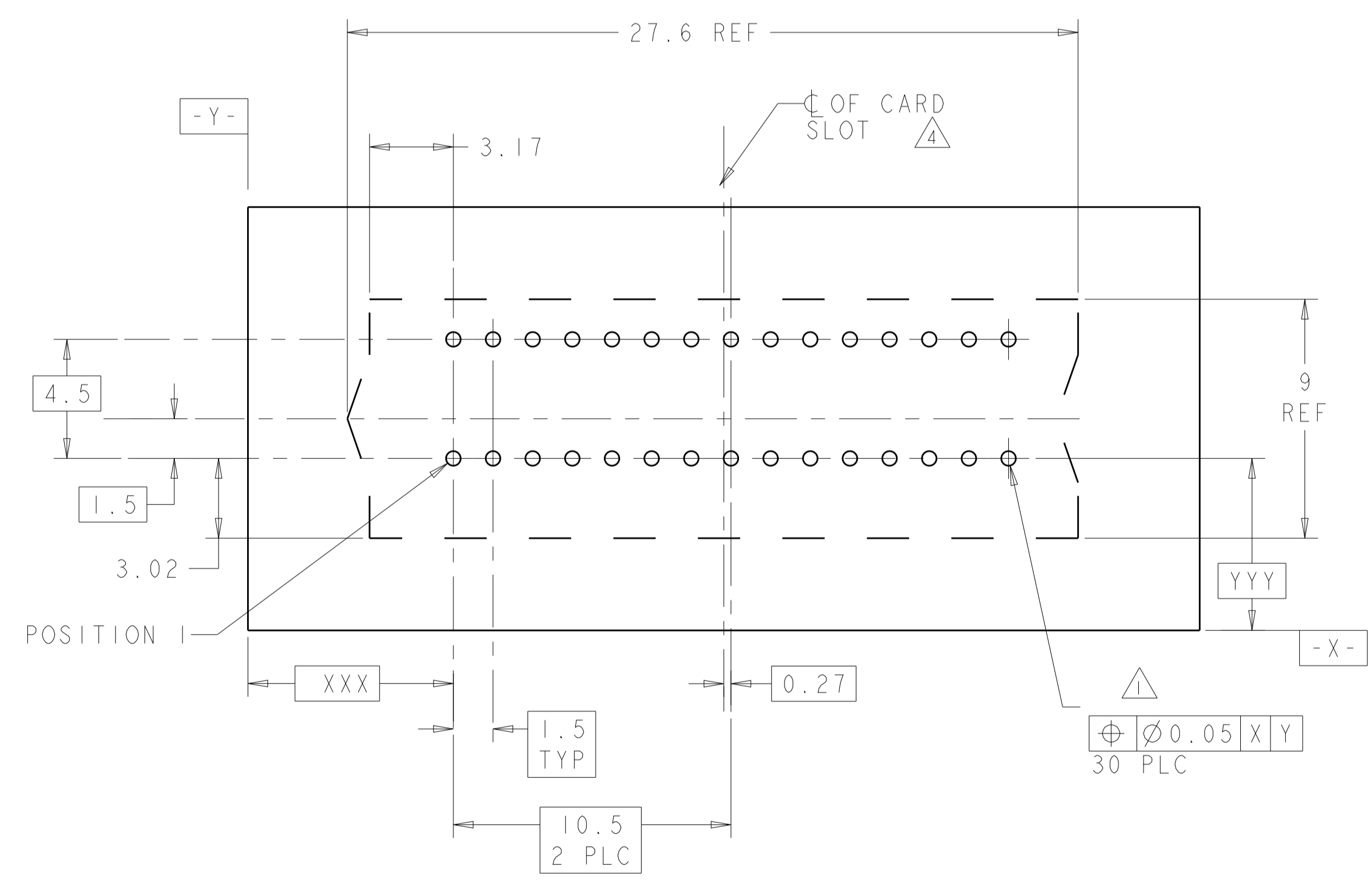
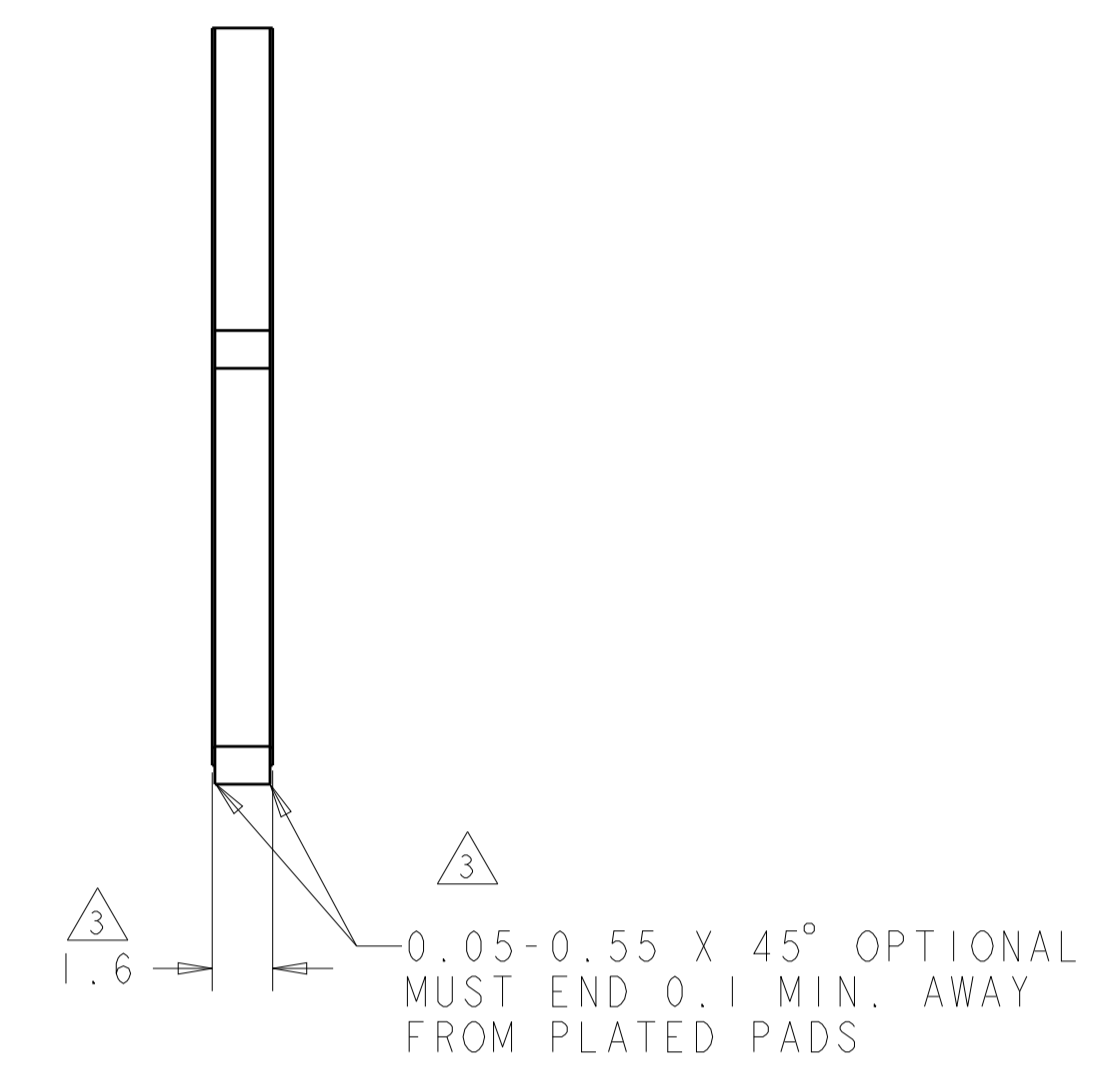
LOC	DIST	REV	DATE	BY	APPV
GP	00				

REVISIONS					
REV	DATE	DESCRIPTION	BY	APPV	DATE
-	-	SEE SHEET 1	-	-	-



DOUBLE SIDED PCB DAUGHTERCARD



PCB BOARD LAYOUT COMPONENT SIDE SHOWN

<small>THIS DRAWING IS UNPUBLISHED. RELEASED FOR PUBLICATION 20. IT IS THE PROPERTY OF TYCO ELECTRONICS CORPORATION. IT IS SUBJECT TO CHANGE AND WITHOUT WARRANTY. REVISIONS SHOULD BE CONTACTED FOR THE LATEST REVISION.</small>		DWN: 06MAR2006 CHK: N. REESER APVD: N. REESER PRODUCT SPEC: - APPLICATION SPEC: - WEIGHT: - CUSTOMER DRAWING: -	06MAR2006 06MAR2006 06MAR2006 NAME: ASSEMBLY, CROWN EDGE, VERTICAL CARD EDGE, 30 SIGNAL POSITION SIZE: A CAGE CODE: 1926088 SCALE: 3:1 SHEET: 2 OF 2 REV: B2	Tyco Electronics Harrisburg, PA 17105-3608
DIMENSIONS: mm TOLERANCES UNLESS OTHERWISE SPECIFIED: 0 PLC ±0.25 1 PLC ±0.25 2 PLC ±0.13 3 PLC ±0.08 4 PLC ± ANGLES ±1°	FINISH: -	MATERIAL: -	RESTRICTED TO: -	tyco Electronics