



Chipsmall Limited consists of a professional team with an average of over 10 year of expertise in the distribution of electronic components. Based in Hongkong, we have already established firm and mutual-benefit business relationships with customers from,Europe,America and south Asia,supplying obsolete and hard-to-find components to meet their specific needs.

With the principle of "Quality Parts,Customers Priority,Honest Operation,and Considerate Service",our business mainly focus on the distribution of electronic components. Line cards we deal with include Microchip,ALPS,ROHM,Xilinx,Pulse,ON,Everlight and Freescale. Main products comprise IC,Modules,Potentiometer,IC Socket,Relay,Connector.Our parts cover such applications as commercial,industrial, and automotives areas.

We are looking forward to setting up business relationship with you and hope to provide you with the best service and solution. Let us make a better world for our industry!



## Contact us

Tel: +86-755-8981 8866 Fax: +86-755-8427 6832

Email & Skype: info@chipsmall.com Web: www.chipsmall.com

Address: A1208, Overseas Decoration Building, #122 Zhenhua RD., Futian, Shenzhen, China



2

1

PANDUIT P/N	WEIGHT
ACC01	0.135kg

**SPECIFICATION:**

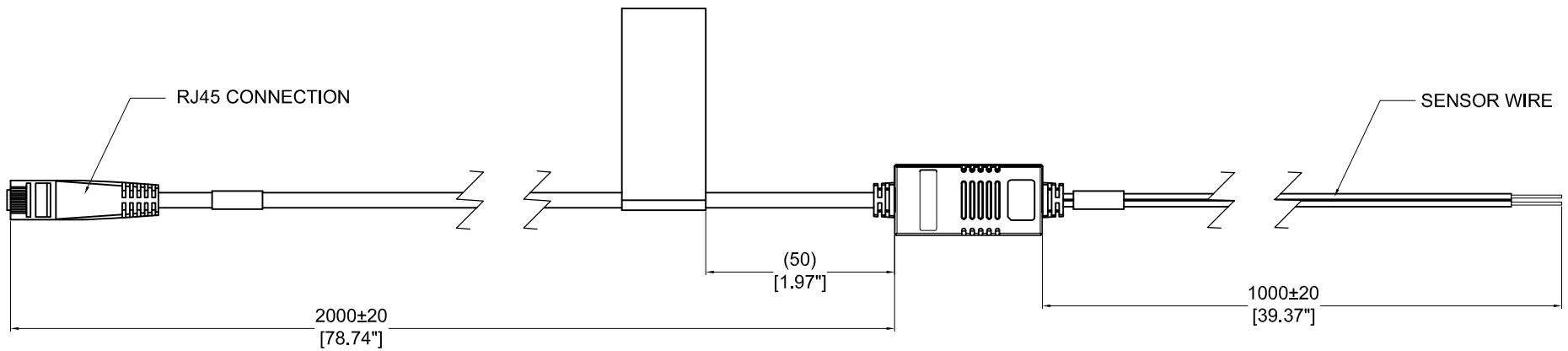
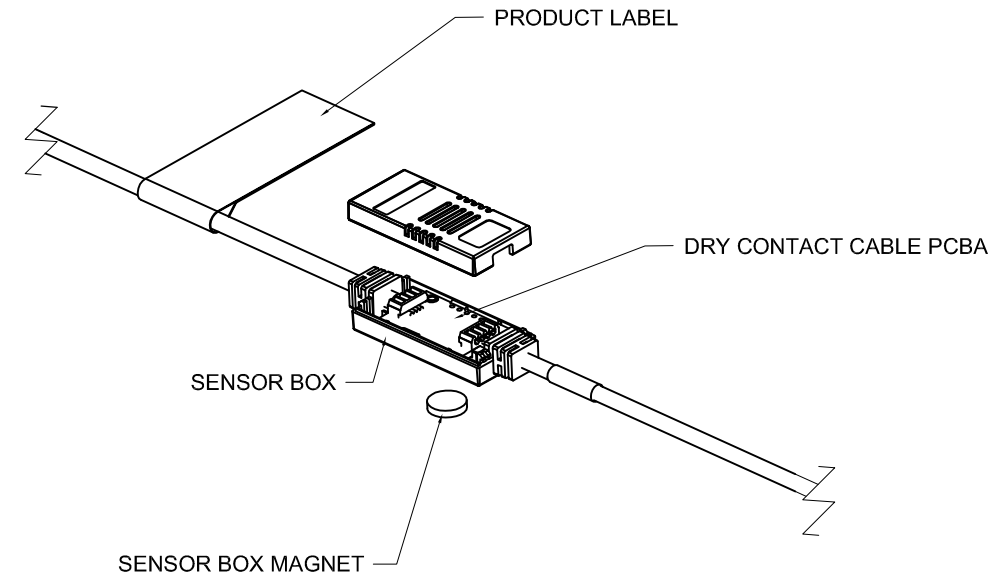
- 1. STANDARD
  - OPERATING TEMPERATURE RANGE: 0°C TO 65°C [32°F TO 149°F]
  - OPERATIONAL VOLTAGE: 5 ±0.1 VOLTS
  - CURRENT DRAW: 30 mA MAX
  - SENSOR HOUSING MATERIAL: ABS, 10% GLASS-FILLED
  - SENSOR HOUSING COLOR: BLACK
  - INTERFACE PLUG: RJ45 COMPLIANT
  - INTERFACE PLUG HOUSING MATERIAL: PC
  - INTERFACE PLUG HOUSING COLOR: TRANSPARENT
- 2. ADDITIONAL: NONE
- 3. ACCESSORY COMPONENTS: INSTALLATION GUIDE, QTY:(1)

**NOTES:**

- 1. PRIMARY DIMENSIONS ARE IN MILLIMETERS. SECONDARY DIMENSION ARE IN INCHES
- 2. INSTALLATION SHALL COMPLY WITH ALL APPLICABLE NATIONAL, STATE, AND LOCAL CODES
- 3. VISIT OUR ON-LINE CATALOG AT WWW.PANDUIT.COM FOR A CURRENT LIST OF PRODUCTS APPLICABLE FOR USE WITH THIS PART

**IDENTIFICATION**

PART NUMBER	DESCRIPTION
ACC01	DRY CONTACT CABLE



WE ASK THAT YOU CHECK FULLY THE DIMENSIONS, NOTES, AND SIGN THE CLIENT SIGNATURE BOX. THE JOB WILL NOT PROGRESS WITHOUT SIGNED APPROVAL. PLEASE DO NOT DELAY IN RETURNING PROOF AS IT WILL AFFECT DELIVERY

SIGN \_\_\_\_\_  
DATE \_\_\_\_\_  
PRINT \_\_\_\_\_

TITLE: SMARTZONE G5 DRY CONTACT CABLE  
CUSTOMER DRAWING

ITEM REVISION NAME: \_\_\_\_\_

DATASHEET FILE NAME: \_\_\_\_\_

UNLESS OTHERWISE SPECIFIED DIMENSIONAL TOLERANCE ARE: mm [IN]

Wire Harness Tolerance(mm)

0<L<500	±10
500<L<2000	±20
2000<L<6000	±50

THIRD ANGLE PROJECTION

MATERIAL/COLOR: N/A

DRAWING NUMBER: ACC01\_DC

DRAWN BY: Felix DATE: 01/04/2018 CHK: MM SCALE: NONE

SHT 1 OF 1

SCALE: B

00A	01/04/2018	Felix	MM	DJB	INITIAL RELEASE	ACC01
REV	DATE	BY	CHK	APR	DESCRIPTION	ECN

2

1