



Chipsmall Limited consists of a professional team with an average of over 10 year of expertise in the distribution of electronic components. Based in Hongkong, we have already established firm and mutual-benefit business relationships with customers from,Europe,America and south Asia,supplying obsolete and hard-to-find components to meet their specific needs.

With the principle of “Quality Parts,Customers Priority,Honest Operation,and Considerate Service”,our business mainly focus on the distribution of electronic components. Line cards we deal with include Microchip,ALPS,ROHM,Xilinx,Pulse,ON,Everlight and Freescale. Main products comprise IC,Modules,Potentiometer,IC Socket,Relay,Connector.Our parts cover such applications as commercial,industrial, and automotives areas.

We are looking forward to setting up business relationship with you and hope to provide you with the best service and solution. Let us make a better world for our industry!



## Contact us

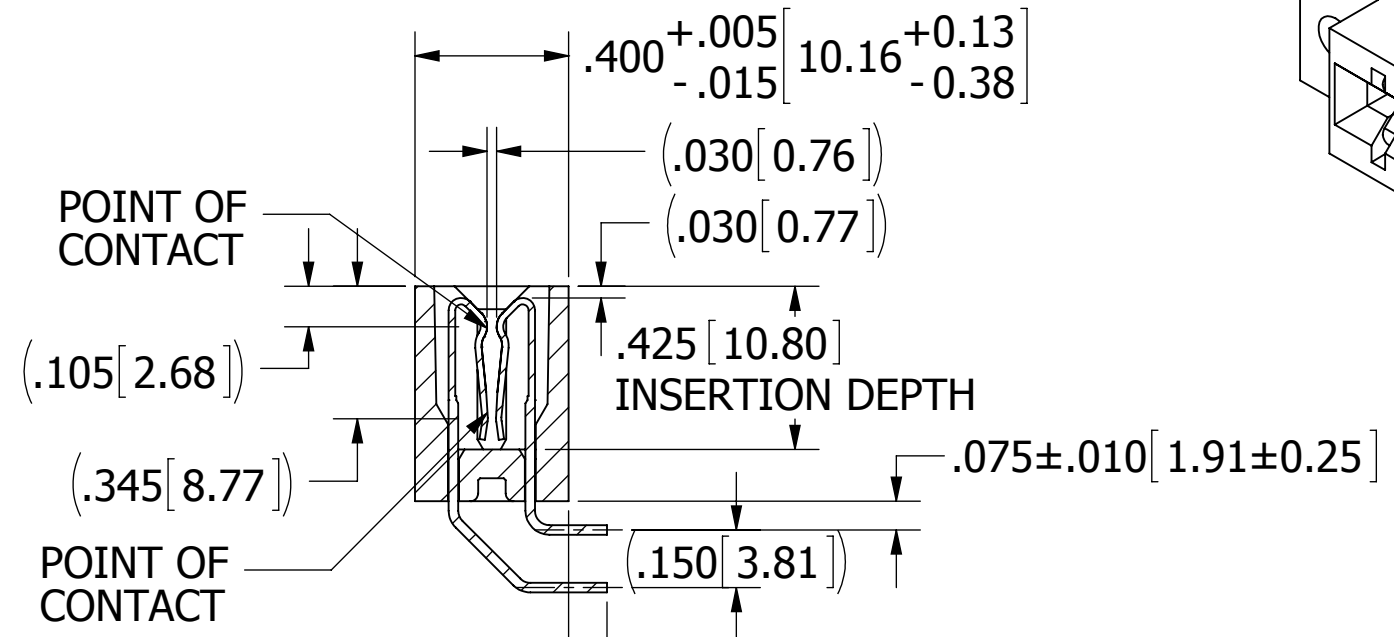
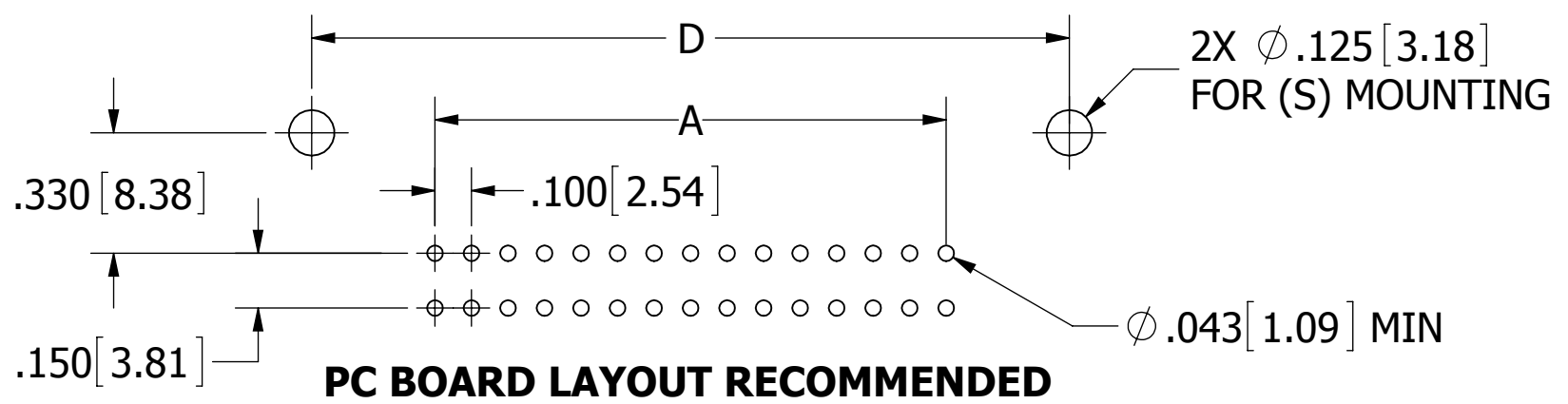
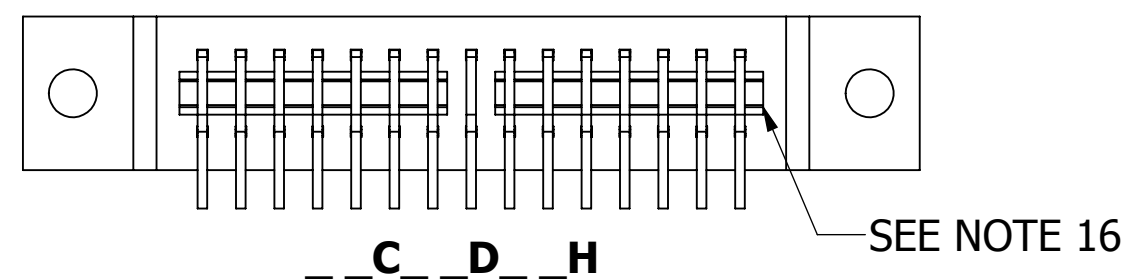
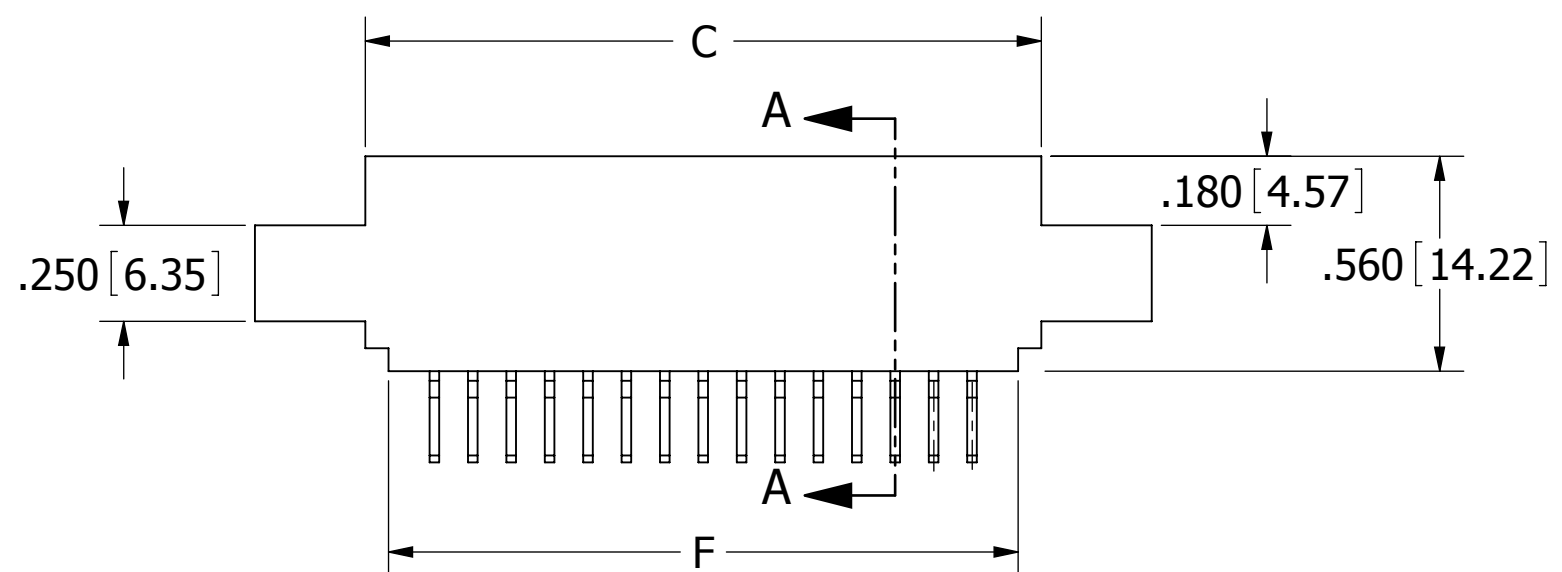
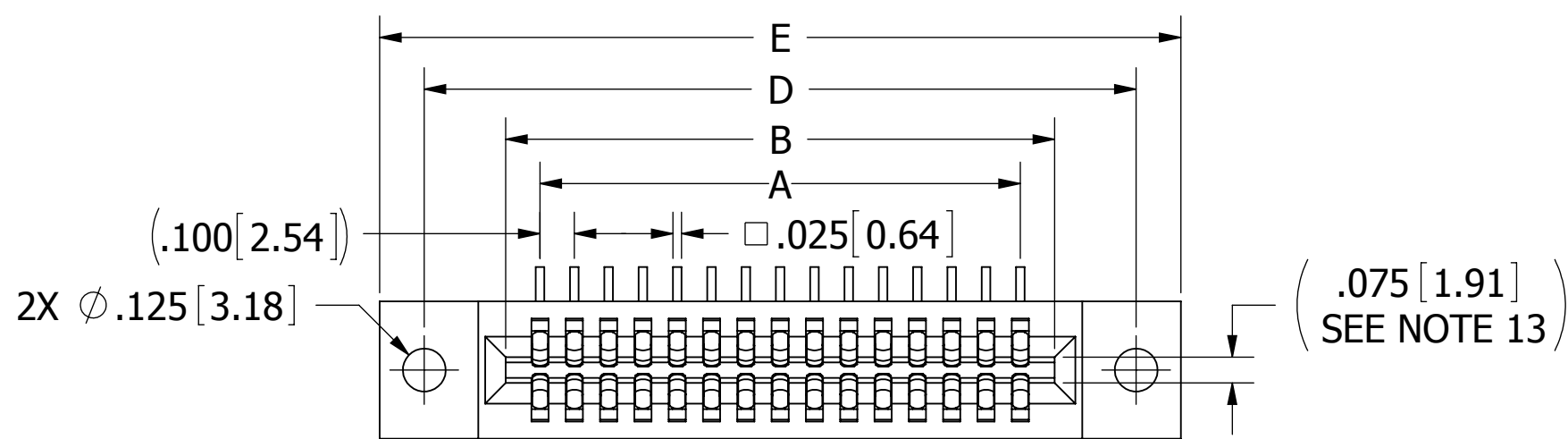
Tel: +86-755-8981 8866 Fax: +86-755-8427 6832

Email & Skype: info@chipsmall.com Web: www.chipsmall.com

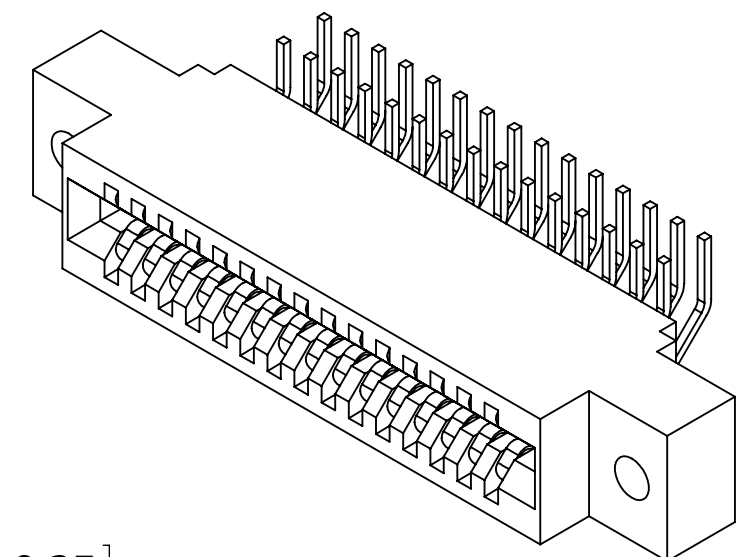
Address: A1208, Overseas Decoration Building, #122 Zhenhua RD., Futian, Shenzhen, China



REVISIONS				
REV.	ECO. NO	DESCRIPTION	DATE	BY
B	1886	ADD PG TERMINATION. UPDATE CONTACT POINTS BASED ON CHANGES TO PIN	1/7/2009	MNH
C	2696	UPDATE PCB LAYOUT, REF DIM FOR CONTACT POINT LOCATION, DWG VIEW TO SHOW RIB ON INSULATOR BOTTOM, ADD CONTACT GAP DIM, TOL FOR INSULATOR WIDTH & 1ST RAB DIM .075, REMOVE PP TAIL OPTION VIEW (CONSULT FACTORY)	10/29/2012	JH



PB = .100 ± .025 [2.54 ± 0.64]  
 PG = .140 ± .025 [3.56 ± 0.64]  
 PE = .180 ± .025 [4.57 ± 0.64]  
 PU = .250 ± .025 [6.35 ± 0.64]  
 PJ = .500 ± .025 [12.70 ± 0.64]  
 (OTHER LENGTHS AVAILABLE, CONTACT FACTORY)

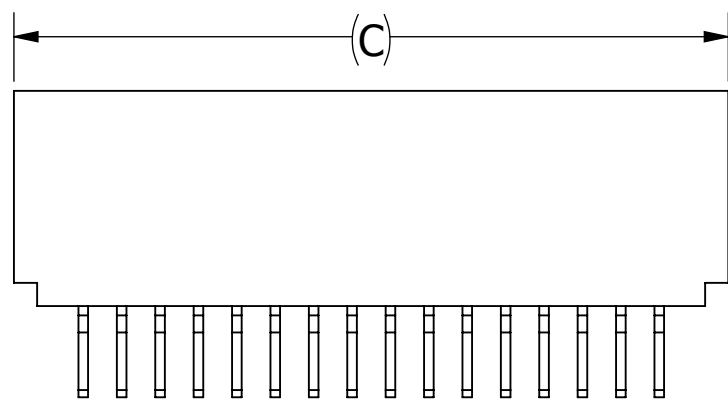
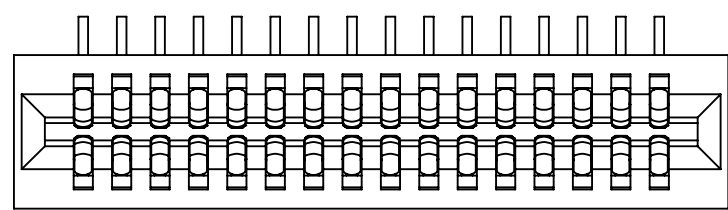
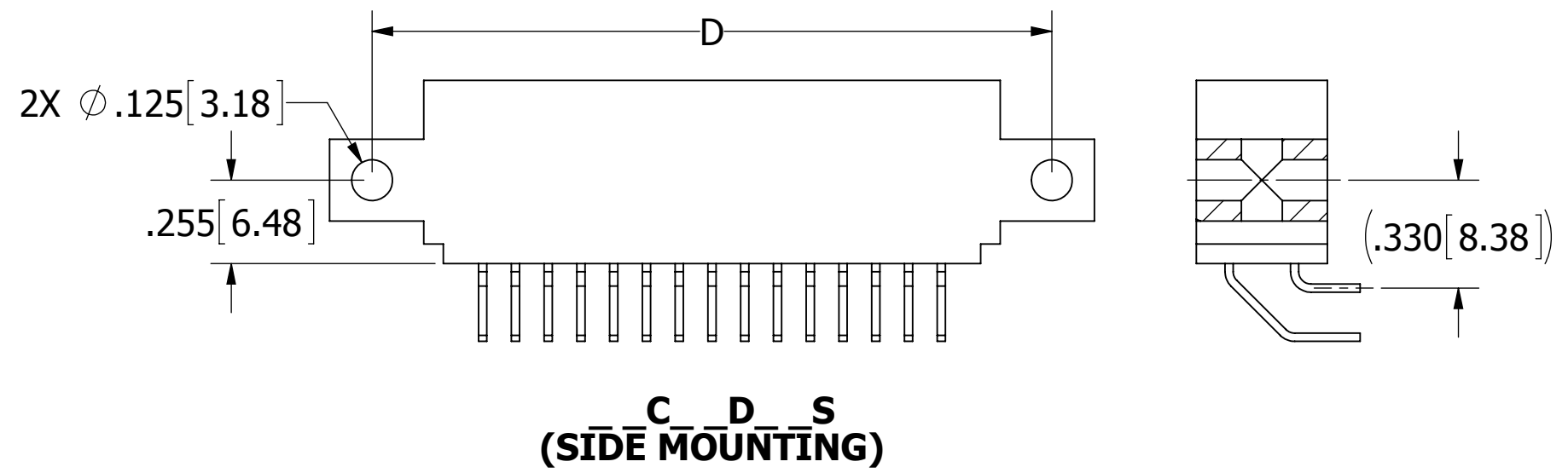
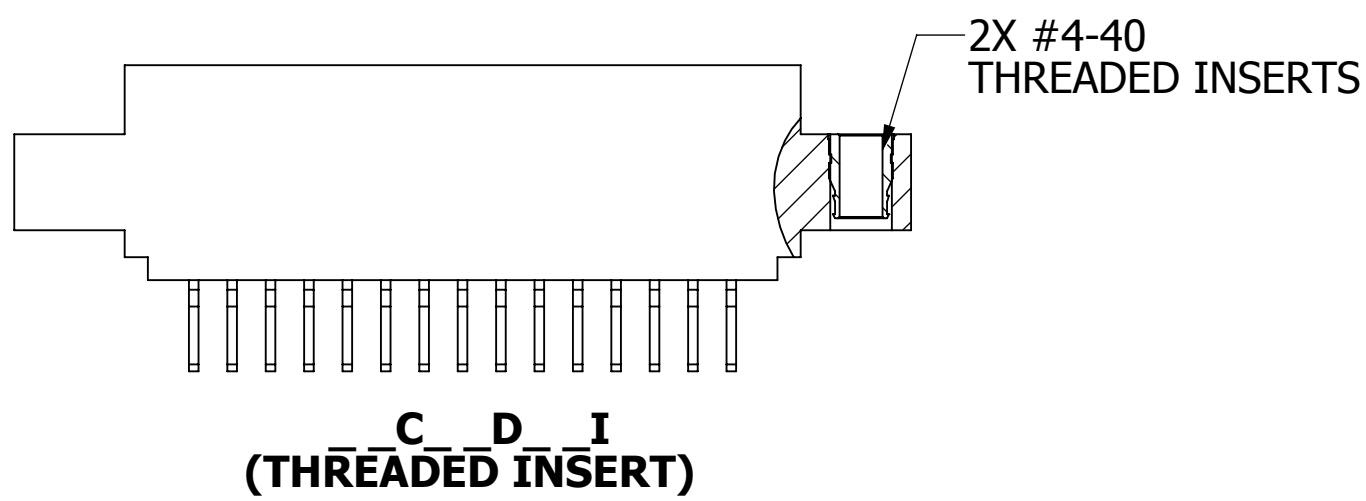
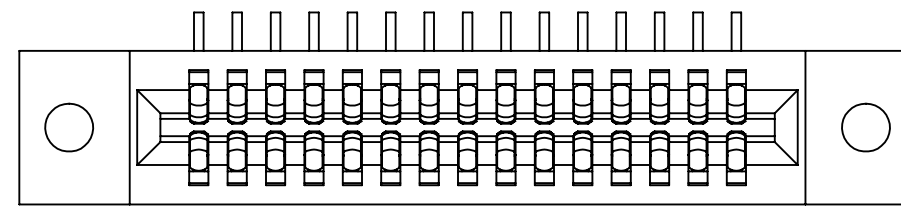
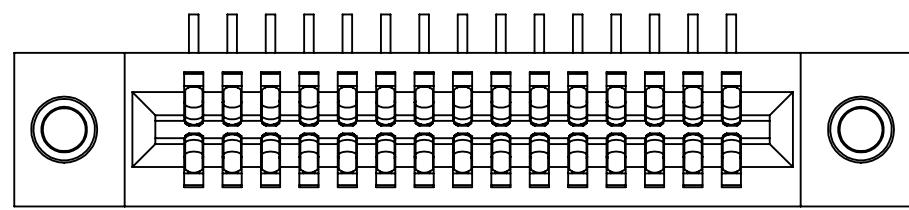


- NOTES:**
- INSULATOR MATERIAL: SEE PART NUMBER CODING
  - CONTACT MATERIAL: SEE PART NUMBER CODING
  - PLATING: SEE PART NUMBER CODING
  - OPERATING TEMPERATURE: SEE PART NUMBER CODING
  - PROCESSING TEMP: SEE PART NUMBER CODING
  - UL FLAMMABILITY RATING: 94V-0
  - OPERATING VOLTAGE: 700 VAC MINIMUM AT SEA LEVEL
  - CURRENT RATING: 3 AMP
  - CONTACT RESISTANCE: 30 MILLI OHMS MAX
  - INSULATION RESISTANCE: 5000 MEGA OHMS
  - DURABILITY: 500 CYCLES MIN
  - CONNECTOR IDENTIFICATION: THE PART SHALL BE MARKED WITH A PART NUMBER AND LOT CODE
  - BOARD THICKNESS ACCOMMODATED: .062 ± .008 [1.57 ± 0.20]
  - INSERTION FORCE: 16 OZ MAX PER CONTACT PAIR WHEN USING A .062 [1.57] TEST BLADE  
INTERNAL INSPECTION TO BE PER SULLIN'S WORK INSTRUCTION WI7.3-01
  - WITHDRAWAL FORCE: 1 OZ MIN PER CONTACT PAIR USING .062 [1.57] PCB
  - NUMBER OF GROOVES AND LENGTH VARY WITH NUMBER OF POSITIONS. 70-POSITION HAS NO GROOVE.



# CUSTOMER COPY

UNLESS OTHERWISE SPECIFIED: DIMENSIONS ARE IN INCHES [MM]		DRAWN	DATE	NAME	
			10/29/12	JH	
TOLERANCES:					<small>THE INFORMATION HEREIN CONTAINS PROPRIETARY INFORMATION OF SULLINS ELECTRONICS AND IS NOT TO BE REPRODUCED, USED OR DISCLOSED TO OTHERS FOR ANY PURPOSE EXCEPT AS SPECIFICALLY AUTHORIZED IN WRITING BY AN OFFICER OF SULLINS ELECTRONICS.</small>
ANGULAR: ± 1°					
DECIMALS .XX = ± .02 [.5] .XXX = ± .005 [.13] .XXXX = ± .0005 [.013]					
TITLE					EDGE CARD, .100 CC HP
PART NUMBER					__C__ __D__ __, (PB,PE,PG,PJ,PU,PP)
SIZE	CAGE CODE	DWG. NO.	REV		
C	54453	C11116	C		
SCALE: 2:1		SHEET 1 OF 3			



# CUSTOMER COPY



UNLESS OTHERWISE SPECIFIED:  
DIMENSIONS ARE IN INCHES [MM]

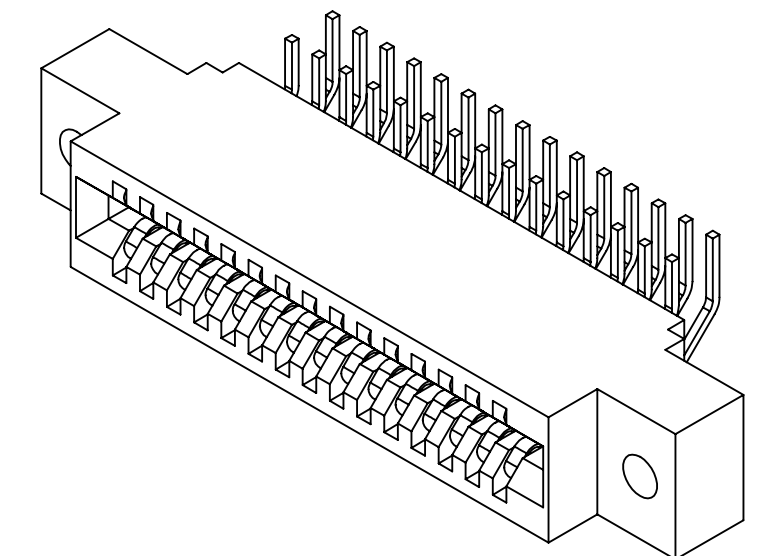
TOLERANCES:  
ANGULAR:  $\pm 1^\circ$

DECIMALS  
.XX =  $\pm .02$  [.5]  
.XXX =  $\pm .005$  [.13]  
.XXXX =  $\pm .0005$  [.013]

DRAWN	DATE	NAME
	10/29/12	JH
<small>THE INFORMATION HEREIN CONTAINS PROPRIETARY INFORMATION OF SULLINS ELECTRONICS AND IS NOT TO BE REPRODUCED, USED OR DISCLOSED TO OTHERS FOR ANY PURPOSE EXCEPT AS SPECIFICALLY AUTHORIZED IN WRITING BY AN OFFICER OF SULLINS ELECTRONICS.</small>		

TITLE EDGE CARD, .100 CC HP		
PART NUMBER C D (PB,PE,PG,PJ,PU,PP)		
SIZE C	CAGE CODE 54453	DWG. NO. C11116
SCALE: 2:1	SHEET 2 OF 3	

PART NUMBER	NO. OF POS.	INCHES						MILLIMETERS					
		A±.008	B±.008	C±.015	D±.010	E±.020	F±.015	A±0.20	B±0.20	C±0.38	D±0.25	E±0.51	F±0.38
C06D	6	0.500	0.700	0.860	1.175	1.435	0.740	12.70	17.78	21.84	29.85	36.45	18.80
C07D	7	0.600	0.800	0.960	1.275	1.535	0.840	15.24	20.32	24.38	32.39	38.99	21.34
C08D	8	0.700	0.900	1.060	1.375	1.635	0.940	17.78	22.86	26.92	34.93	41.53	23.88
C10D	10	0.900	1.100	1.260	1.575	1.835	1.140	22.86	27.94	32.00	40.01	46.61	28.96
C12D	12	1.100	1.300	1.460	1.775	2.035	1.340	27.94	33.02	37.08	45.09	51.69	34.04
C13D	13	1.200	1.400	1.560	1.875	2.135	1.440	30.48	35.56	39.62	47.63	54.23	36.58
C15D	15	1.400	1.600	1.760	2.075	2.335	1.640	35.56	40.64	44.70	52.71	59.31	41.66
C17D	17	1.600	1.800	1.960	2.275	2.535	1.840	40.64	45.72	49.78	57.79	64.39	46.74
C18D	18	1.700	1.900	2.060	2.375	2.635	1.940	43.18	48.26	52.32	60.33	66.93	49.28
C20D	20	1.900	2.100	2.260	2.575	2.835	2.140	48.26	53.34	57.40	65.41	72.01	54.36
C22D	22	2.100	2.300	2.460	2.775	3.035	2.340	53.34	58.42	62.48	70.49	77.09	59.44
C24D	24	2.300	2.500	2.660	2.975	3.235	2.540	58.42	63.50	67.56	75.57	82.17	64.52
C25D	25	2.400	2.600	2.760	3.075	3.335	2.640	60.96	66.04	70.10	78.11	84.71	67.06
C28D	28	2.700	2.900	3.060	3.375	3.635	2.940	68.58	73.66	77.72	85.73	92.33	74.68
C30D	30	2.900	3.100	3.260	3.575	3.835	3.140	73.66	78.74	82.80	90.81	97.41	79.76
C31D	31	3.000	3.200	3.360	3.675	3.935	3.240	76.20	81.28	85.34	93.35	99.95	82.30
C35D	35	3.400	3.600	3.760	4.075	4.335	3.640	86.36	91.44	95.50	103.51	110.11	92.46
C36D	36	3.500	3.700	3.860	4.175	4.435	3.740	88.90	93.98	98.04	106.05	112.65	95.00
C40D	40	3.900	4.100	4.260	4.575	4.835	4.140	99.06	104.14	108.20	116.21	122.81	105.16
C43D	43	4.200	4.400	4.560	4.875	5.135	4.440	106.68	111.76	115.82	123.83	130.43	112.78
C44D	44	4.300	4.500	4.660	4.975	5.235	4.540	109.22	114.30	118.36	126.37	132.97	115.32
C49D	49	4.800	5.000	5.160	5.475	5.735	5.040	121.92	127.00	131.06	139.07	145.67	128.02
C50D	50	4.900	5.100	5.260	5.575	5.835	5.140	124.46	129.54	133.60	141.61	148.21	130.56
C55D	55	5.400	5.600	5.760	6.075	6.335	5.640	137.16	142.24	146.30	154.31	160.91	143.26
C60D	60	5.900	6.100	6.260	6.575	6.835	6.140	149.86	154.94	159.00	167.01	173.61	155.96
C61D	61	6.000	6.200	6.360	6.675	6.935	6.240	152.40	157.48	161.54	169.55	176.15	158.50
C65D	65	6.400	6.600	6.760	7.075	7.335	6.640	162.56	167.64	171.70	179.71	186.31	168.66
C70D	70	6.900	7.100	7.260	7.575	7.835	7.140	175.26	180.34	184.40	192.41	199.01	181.36



**PART NUMBER CODING**

**MATERIALS (INSULATOR / CONTACT)**

- E = PBT/PHOSPHOR BRONZE**  
OPERATING TEMP: -65°C TO +125°C  
PROCESSING TEMP: WAVE/MANUAL ONLY
- R = PPS/PHOSPHOR BRONZE**  
OPERATING TEMP: -65°C TO +125°C  
PROCESSING TEMP: 260°C FOR 120 SECS MAX
- G = PA9T/PHOSPHOR BRONZE**  
OPERATING TEMP: -65°C TO +125°C  
PROCESSING TEMP: 260°C FOR 20 SECS MAX
- H = PBT/BERYLLIUM COPPER**  
OPERATING TEMP: -65°C TO +125°C  
PROCESSING TEMP: WAVE/MANUAL ONLY
- A = PPS/BERYLLIUM COPPER**  
OPERATING TEMP: -65°C TO +150°C  
PROCESSING TEMP: 260°C FOR 120 SECS MAX
- J = PA9T/BERYLLIUM COPPER**  
OPERATING TEMP: -65°C TO +150°C  
PROCESSING TEMP: 260°C FOR 20 SECS MAX

**MOUNTING STYLE**

- H = .125" DIA. CLEARANCE HOLES (PAGE 1)
- I = #4-40 THREADED INSERT (PAGE 2)
- S = .125" DIA. SIDE MOUNTING (PAGE 2)
- N = NO MOUNTING EARS (PAGE 2)

**TERMINATION**

- PB = DOUBLE POINT .100[2.54mm] TAIL LENGTH
- PG = DOUBLE POINT .140[3.56mm] TAIL LENGTH
- PE = DOUBLE POINT .180[4.57mm] TAIL LENGTH
- PU = DOUBLE POINT .250[6.35mm] TAIL LENGTH
- PJ = DOUBLE POINT .500[12.70mm] TAIL LENGTH

**NUMBER OF POSITIONS (CONTACTS PER ROW)**

**PLATING**

- ALL PLATINGS ARE LEAD FREE AND HAVE .000050" NICKEL UNDERPLATE CONTACT SURFACE
- B = .000010" GOLD
- C = .000030" GOLD
- TERMINATION
- .000100" PURE TIN, MATTE
- .000100" PURE TIN, MATTE



**CUSTOMER COPY**

UNLESS OTHERWISE SPECIFIED: DIMENSIONS ARE IN INCHES [MM]		DRAWN	DATE	NAME	
			10/29/12	JH	
TOLERANCES:					<small>THE INFORMATION HEREIN CONTAINS PROPRIETARY INFORMATION OF SULLINS ELECTRONICS AND IS NOT TO BE REPRODUCED, USED OR DISCLOSED TO OTHERS FOR ANY PURPOSE EXCEPT AS SPECIFICALLY AUTHORIZED IN WRITING BY AN OFFICER OF SULLINS ELECTRONICS.</small>
ANGULAR: ± 1°					
DECIMALS .XX = ± .02 [.5] .XXX = ± .005 [.13] .XXXX = ± .0005 [.013]					
TITLE		EDGE CARD, .100 CC HP			
PART NUMBER		C D (PB,PE,PG,PJ,PU,PP)			
SIZE	CAGE CODE	DWG. NO.	REV		
C	54453	C11116	C		
SCALE: 4:1		SHEET 3 OF 3			