



Chipsmall Limited consists of a professional team with an average of over 10 year of expertise in the distribution of electronic components. Based in Hongkong, we have already established firm and mutual-benefit business relationships with customers from,Europe,America and south Asia,supplying obsolete and hard-to-find components to meet their specific needs.

With the principle of “Quality Parts,Customers Priority,Honest Operation,and Considerate Service”,our business mainly focus on the distribution of electronic components. Line cards we deal with include Microchip,ALPS,ROHM,Xilinx,Pulse,ON,Everlight and Freescale. Main products comprise IC,Modules,Potentiometer,IC Socket,Relay,Connector.Our parts cover such applications as commercial,industrial, and automotives areas.

We are looking forward to setting up business relationship with you and hope to provide you with the best service and solution. Let us make a better world for our industry!



Contact us

Tel: +86-755-8981 8866 Fax: +86-755-8427 6832

Email & Skype: info@chipsmall.com Web: www.chipsmall.com

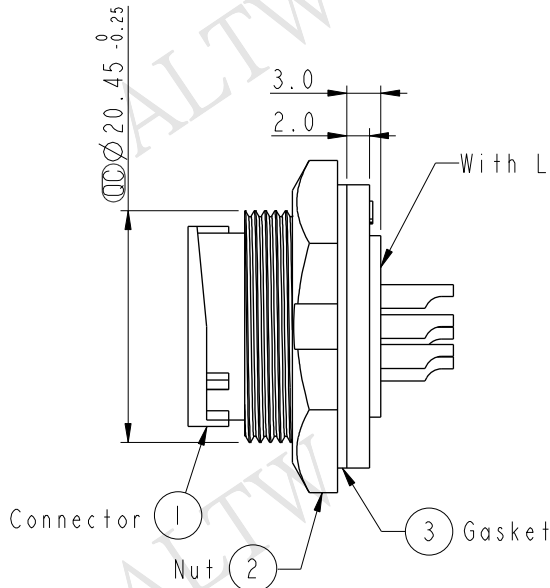
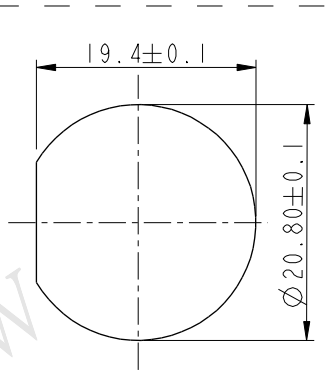
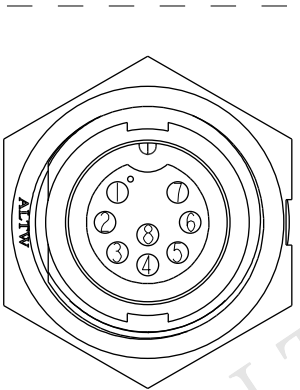
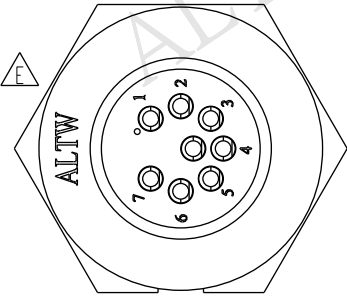
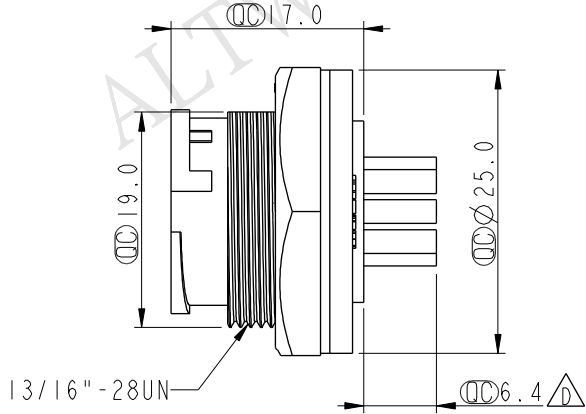
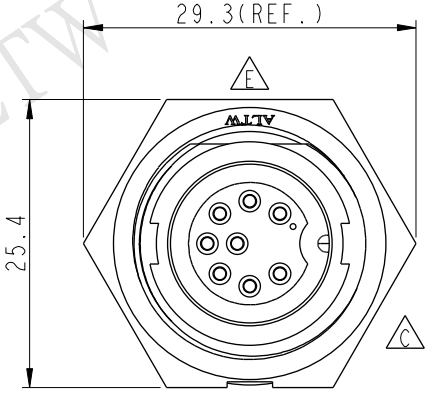
Address: A1208, Overseas Decoration Building, #122 Zhenhua RD., Futian, Shenzhen, China



REV.	ECN NO.	DATE	SIGN	DESCRIPTION
C	LE3-8C0026	2008/11/07	TOMMY	Change To Pin Hole
D	LEN-910263	2008/01/15	TOMMY	CHANGE PIN DIMENSION
E	LEN1630502	2016/03/16	Ruru	Change Logo

ALTW
CONFIDENTIAL
2016-03-16
R&D DEPT.

ALTW
DCC. DEPT.
CONFIDENTIAL
2016.03.31
ISSUED



- Notes:
- * CC Important Dimension To Check.
 - * Waterproof Rate: IP67
 - $\triangle D$ * Connector: Nylon+GF, Black
 - $\triangle D$ * Female Pin: Copper Alloy, Gold Plated
 - * Nut: Nylon+GF
 - * Gasket: EPDM
 - $\triangle B$ * Use with waterproof cap or dust cap
Panel Thickness Max: 3.0mm
 - $\triangle B$ * Use without waterproof cap or dust cap
Panel Thickness Max: 4.0mm

UNIT:mm		TITLE Middle Panel Lock 8Pin M Conn F Pin			<h1>Amphenol LTW</h1> 安費諾亮泰企業股份有限公司	ITEM NO CD-08PMFS-LC7001	DRAWN BY Ruru	DATE 2016-03-16
		TOLERANCE .X ±0.25 .XX ±0.1 .XXX ±0.05 ANGLES ±1°	SCALE 1:1	SIZE A4		SHEET 1 OF 1	DWG NO CD-08PMFS-LC7001	CHECKED BY Rita
		REV. E	WC-REV. A.2	CC : Inspection item	CUSTOMER ALTW	APPROVED BY Lisa	DATE 2016-03-16	

THIS DOCUMENT IS SUBJECT TO CHANGE WITHOUT NOTICE. IT IS CONFIDENTIAL AND A PROPERTY OF AMPHENOL LTW. DISCLOSURE TO THIRD PARTY HAS TO BE AUTHORIZED BY AMPHENOL LTW.