



Chipsmall Limited consists of a professional team with an average of over 10 year of expertise in the distribution of electronic components. Based in Hongkong, we have already established firm and mutual-benefit business relationships with customers from,Europe,America and south Asia,supplying obsolete and hard-to-find components to meet their specific needs.

With the principle of “Quality Parts,Customers Priority,Honest Operation,and Considerate Service”,our business mainly focus on the distribution of electronic components. Line cards we deal with include Microchip,ALPS,ROHM,Xilinx,Pulse,ON,Everlight and Freescale. Main products comprise IC,Modules,Potentiometer,IC Socket,Relay,Connector.Our parts cover such applications as commercial,industrial, and automotives areas.

We are looking forward to setting up business relationship with you and hope to provide you with the best service and solution. Let us make a better world for our industry!



Contact us

Tel: +86-755-8981 8866 Fax: +86-755-8427 6832

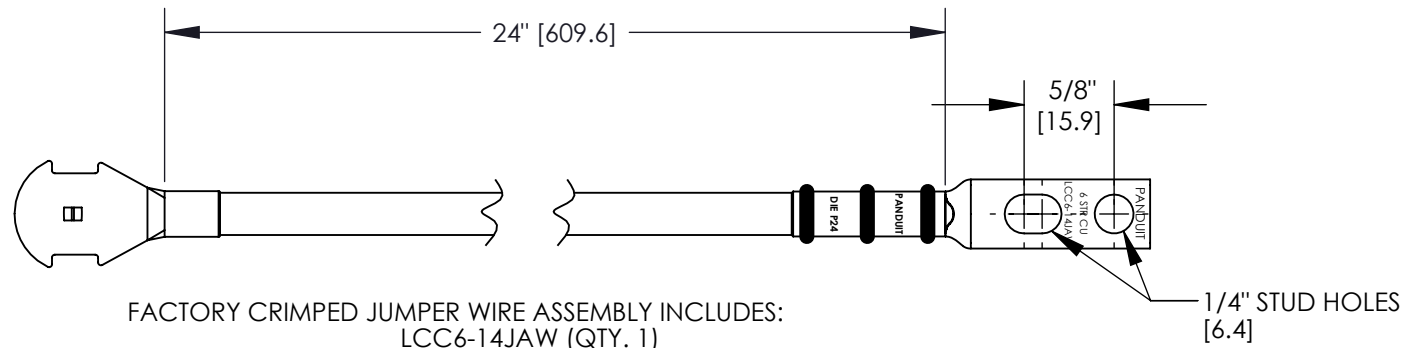
Email & Skype: info@chipsmall.com Web: www.chipsmall.com

Address: A1208, Overseas Decoration Building, #122 Zhenhua RD., Futian, Shenzhen, China

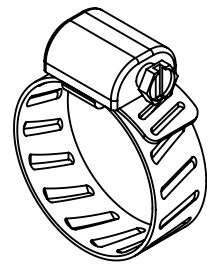


NOTES:

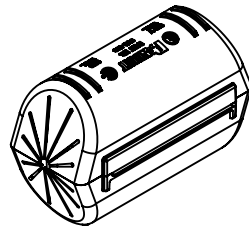
1. KIT INCLUDES JUMPER WIRE ASSEMBLY, MECHANICAL CLAMP, THREAD-FORMING SCREWS, AND TERMINAL COVER.
2. FOR USE WITH UNJACKETED ARMOR CABLE. DIAMETER RANGE - .440" - 1.250".
3. DIMENSIONS IN PARENTHESIS ARE MILLIMETERS



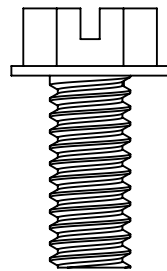
FACTORY CRIMPED JUMPER WIRE ASSEMBLY INCLUDES:
 LCC6-14JAW (QTY. 1)
 ARMORED CABLE GROUNDING TERMINAL (QTY. 1)
 #6 AWG/16mm SQ. WIRE - GREEN/YELLOW INSULATION, 24" [609.6]



#10 MECHANICAL CLAMP, 9/16" - 1-1/16" DIAMETER RANGE
 #16 MECHANICAL CLAMP, 15/16" - 1-1/2" DIAMETER RANGE



BLACK POLYPROPYLENE COVER; CVR250
 BLACK POLYPROPYLENE COVER; CVR500



#12-24 SLOTTED HEX-HEAD ZINC PLATED
 THREAD-FORMING SCREW

M6 SLOTTED HEX-HEAD ZINC PLATED
 THREAD-FORMING SCREW

COMPONENT DESCRIPTION	ACG24K	ACG24K-500	ACG24KX-500
	COMPONENT QTY.	COMPONENT QTY.	COMPONENT QTY.
24" JUMPER ASSEMBLY	1	1	1
#10 MECHANICAL CLAMP	1	1	N/A
#16 MECHANICAL CLAMP	N/A	N/A	1
BLACK POLYPROPYLENE COVER - CVR250	1	N/A	N/A
BLACK POLYPROPYLENE COVER - CVR500	N/A	1	1
#12-24 THREAD FORMING SCREW	2	2	2
M6 THREAD FORMING SCREW	2	2	2

							PANDUIT CORP. TINLEY PARK, ILLINOIS	
							ARMORED CABLE GROUNDING JUMPER KIT (ACG24K, ACG24K-500, ACG24KX-500) CUSTOMER DRAWING	
							UNLESS OTHERWISE SPECIFIED DIMENSIONAL TOLERANCES ARE: (.X) ± (.XXX) ± (.XX) ± ANGLES ±	
							UNLESS OTHERWISE SPECIFIED, ALL DIMENSIONS ARE GIVEN IN INCHES, THIRD ANGLE PROJECTION	
05	7/11	JHNU	JHNU	REVISED TABLE TO REMOVE PART ALREADY IN TABLE	N41753BB-C41753	RGB	RGB	SCALE NONE
04	5/11	JHNU	RWK	REVISED NOTE 2: 1.250" WAS 1.000"	N41753BB-C41753	RGB	RGB	
03	5/11	JHNU	RWK	REMOVED ACG24KX FROM DRAWING	N41753BB-C41753	FLD	FLD	DRAWING NO / CAD FILE C41753_05
02	4/11	JHNU	RWK	ADDED PART NUMBER ACG24KX-500, ACG24KX	N41753BB-C41753	FLD	FLD	
01	9/08	JHNU	JMAR	ADDED P/N ACG24K-500 ADDED TABLE TO CLARIFY COMPONENT QUANTITIES				DWG B SIZE
00	6/08	JHNU	JMAR	DRAWING RELEASED				
REV	DATE	BY	CHK	DESCRIPTION	ECN	-R	SUP	