



Chipsmall Limited consists of a professional team with an average of over 10 year of expertise in the distribution of electronic components. Based in Hongkong, we have already established firm and mutual-benefit business relationships with customers from,Europe,America and south Asia,supplying obsolete and hard-to-find components to meet their specific needs.

With the principle of “Quality Parts,Customers Priority,Honest Operation,and Considerate Service”,our business mainly focus on the distribution of electronic components. Line cards we deal with include Microchip,ALPS,ROHM,Xilinx,Pulse,ON,Everlight and Freescale. Main products comprise IC,Modules,Potentiometer,IC Socket,Relay,Connector.Our parts cover such applications as commercial,industrial, and automotives areas.

We are looking forward to setting up business relationship with you and hope to provide you with the best service and solution. Let us make a better world for our industry!



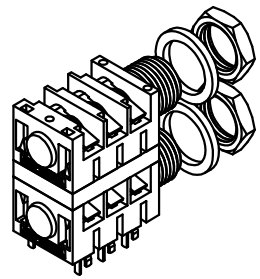
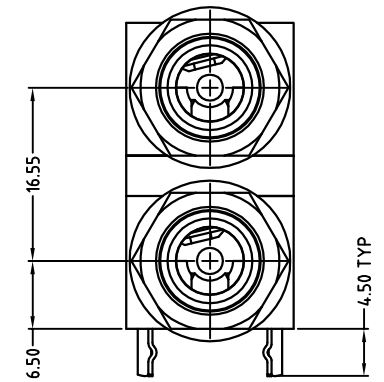
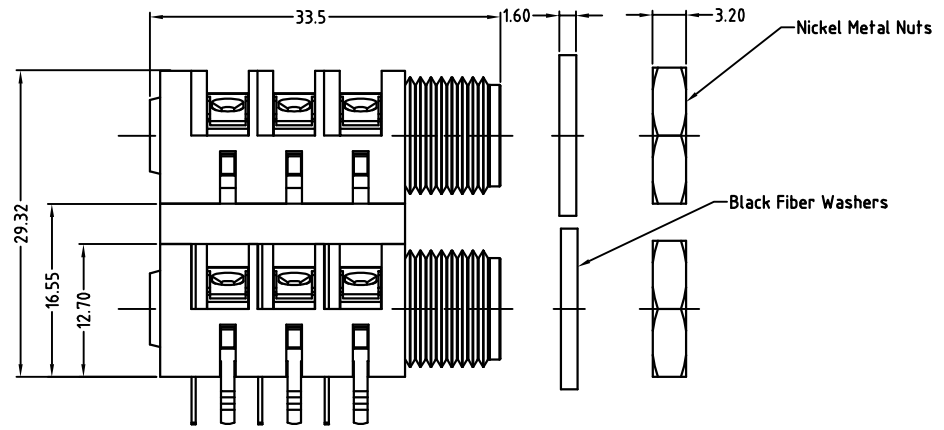
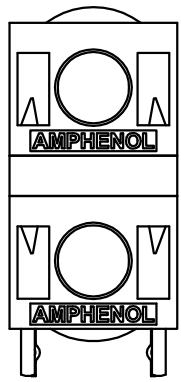
## Contact us

Tel: +86-755-8981 8866 Fax: +86-755-8427 6832

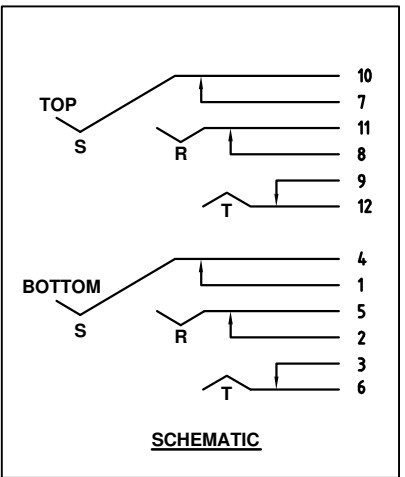
Email & Skype: info@chipsmall.com Web: www.chipsmall.com

Address: A1208, Overseas Decoration Building, #122 Zhenhua RD., Futian, Shenzhen, China

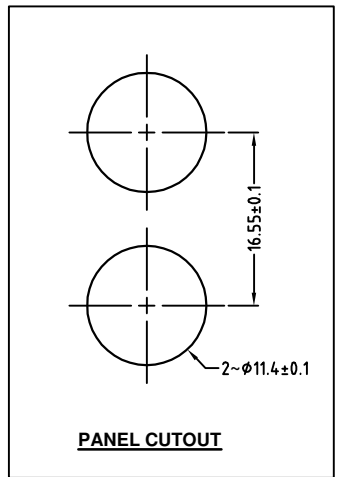




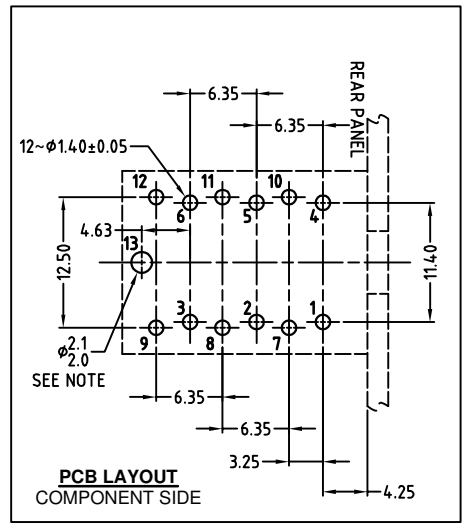
ISO VIEW  
SCALE 1:1



SCHMATIC



PANEL CUTOUT



PCB LAYOUT  
COMPONENT SIDE

NOTE: OPTIONAL MOUNTING HOLE FOR SELF-TAPPING M2 SCREW

UNLESS OTHERWISE SPECIFIED TOLERANCE TO BE	THIS DOCUMENT IS THE PROPERTY OF AMPHENOL AUSTRALIA PTY. LTD. NO PART THEREOF MAY BE REPRODUCED AND USED WITHOUT THE PRIOR WRITTEN CONSENT OF THE OWNER				0	FIRST ISSUE	M.H	02-05-07	----
	LINEAR	ANGULAR			REV.	CHANGE DETAILS	BY	DATE	CHG/No
X ± .5	X° ± 1°			CAD FILE: 55010377002120	DRN: M.H	DATE: 02-05-07	<b>Amphenol</b> 1/4 PHONE STEREO DUAL JACK COMPACT CUSTOMER DWG Amphenol Australia Pty Ltd, 2 Fineways Blvd, Keysborough, Vic 3173 DRAWING NO. SHEET 55010377-001-2 2 OF 2		
X.X ± 0.1	X°X' ± 30'			MATL: REFER TO COMPONENT	CKD: M.N.H	DATE: 02-05-07			
X.XX ± 0.05	X°X'X" ± 15'			DO NOT SCALE	FINISH: REFER TO COMPONENT	APP'D: P.M			
DIMENSIONS IN MILLIMETRES		THIRD ANGLE PROJECTION		SCALE: 2:1 UOS	PART No: ACJS-MHDC	SIZE: A3			