



Chipsmall Limited consists of a professional team with an average of over 10 year of expertise in the distribution of electronic components. Based in Hongkong, we have already established firm and mutual-benefit business relationships with customers from,Europe,America and south Asia,supplying obsolete and hard-to-find components to meet their specific needs.

With the principle of "Quality Parts,Customers Priority,Honest Operation,and Considerate Service",our business mainly focus on the distribution of electronic components. Line cards we deal with include Microchip,ALPS,ROHM,Xilinx,Pulse,ON,Everlight and Freescale. Main products comprise IC,Modules,Potentiometer,IC Socket,Relay,Connector.Our parts cover such applications as commercial,industrial, and automotives areas.

We are looking forward to setting up business relationship with you and hope to provide you with the best service and solution. Let us make a better world for our industry!



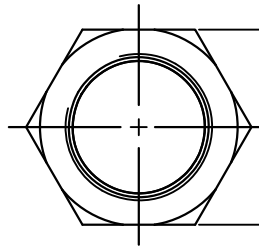
## Contact us

Tel: +86-755-8981 8866 Fax: +86-755-8427 6832

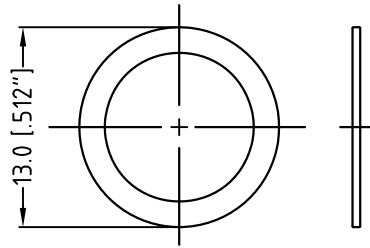
Email & Skype: info@chipsmall.com Web: www.chipsmall.com

Address: A1208, Overseas Decoration Building, #122 Zhenhua RD., Futian, Shenzhen, China

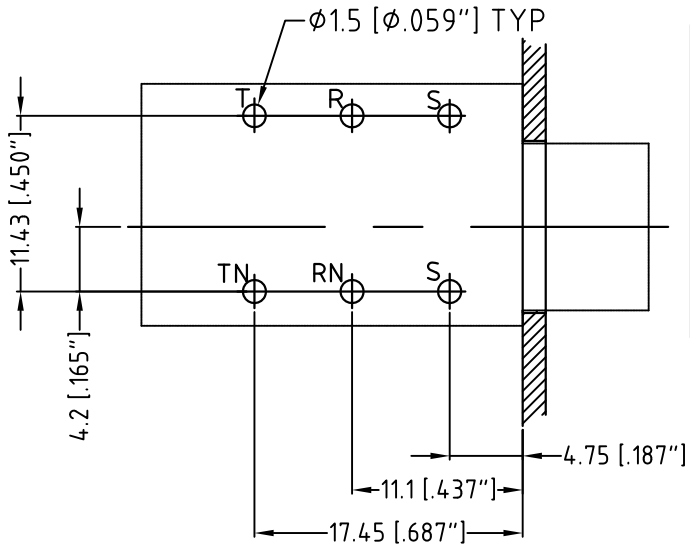
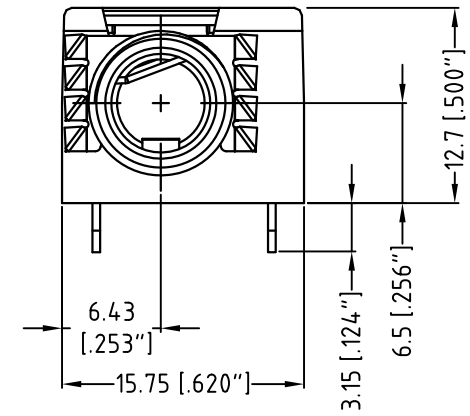
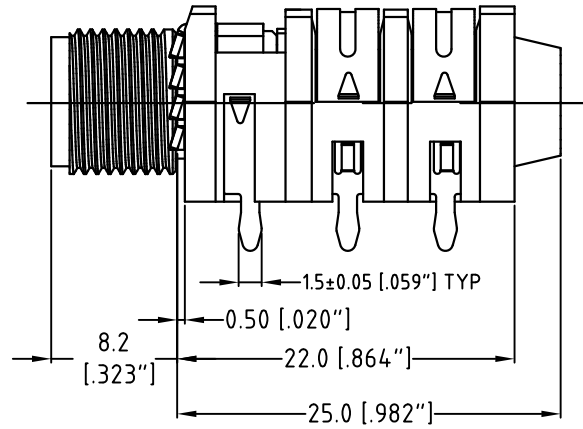




**METAL NUT**



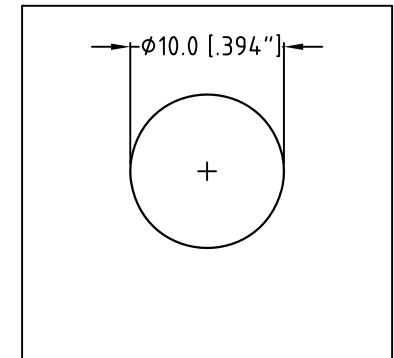
**METAL WASHER**



**RECOMMENDED PCB - LAYOUT**

TOLERANCE: ±0.05mm [002"]

PART NO.	ACJM-LHOM	ACJS-LHOM	NO NUT & WASHER
	ACJM-MHOM	ACJS-MHOM	METAL NUT & WASHER
SCHEMATIC			HARDWARE OPTION



**PANEL CUTOUT**

NOTE: NUT TO CONNECTOR ASSEMBLY - MAX TORQUE FORCE IS 1.75N/m

2	ADD PART NUMBERS FOR NO HARDWARES	MH	27-03-15	----
1	UPDATE DRAWING TO MEET PRODUCTION PART	MH	10-02-10	----
0	FIRST ISSUE	M.N.H	06-02-07	----
REV.	CHANGE DETAILS	BY	DATE	CHG/No

UNLESS OTHERWISE SPECIFIED TOLERANCE TO BE		THIS DOCUMENT IS THE PROPERTY OF AMPHENOL AUSTRALIA PTY. LTD.. NO PART THEREOF MAY BE REPRODUCED AND USED WITHOUT THE PRIOR WRITTEN CONSENT OF THE OWNER			
LINEAR	ANGULAR	CAD FILE: 55010411000112	DRN: M.N.H	DATE: 06-02-07	TITLE: 1/4" PHONE OFFSET JACK CUSTOMER DRAWING
X ± 0.5	X° ± 1°	MATL: SEE NOTES	CKD: M.H	DATE: 27-03-15	 Amphenol Australia Pty Ltd, 22 Industry Blvd, Carrum Downs, Vic.3201
X,X ± 0.2	X°X' ± 30'	DO NOT SCALE	FINISH: SEE NOTES	DATE: 27-03-15	
X,XX ± 0.1	X°X'X" ± 15"	DIMENSIONS IN MILLIMETRES	THIRD ANGLE PROJECTION	SCALE: 1:1	DRAWING NO. 55010411-000-1
			APP'D: P.M	DATE: 27-03-15	SHEET 1 OF 1
			PART No: REFER TO SCHEMATIC	SIZE: A4	