



Chipsmall Limited consists of a professional team with an average of over 10 year of expertise in the distribution of electronic components. Based in Hongkong, we have already established firm and mutual-benefit business relationships with customers from,Europe,America and south Asia,supplying obsolete and hard-to-find components to meet their specific needs.

With the principle of “Quality Parts,Customers Priority,Honest Operation,and Considerate Service”,our business mainly focus on the distribution of electronic components. Line cards we deal with include Microchip,ALPS,ROHM,Xilinx,Pulse,ON,Everlight and Freescale. Main products comprise IC,Modules,Potentiometer,IC Socket,Relay,Connector.Our parts cover such applications as commercial,industrial, and automotives areas.

We are looking forward to setting up business relationship with you and hope to provide you with the best service and solution. Let us make a better world for our industry!



Contact us

Tel: +86-755-8981 8866 Fax: +86-755-8427 6832

Email & Skype: info@chipsmall.com Web: www.chipsmall.com

Address: A1208, Overseas Decoration Building, #122 Zhenhua RD., Futian, Shenzhen, China



Multilayer Ferrite Chip Bead (High Current)

ACML-0402HC



RoHS/RoHS II Compliant



1.00 x 0.50 x 0.50mm

FEATURES:

- Multilayer monolithic structure yields high reliability
- Unique terminal electrode design ensures high rated current
- High impedance over a wide frequency range

APPLICATIONS:

- Noise suppression for computers and peripheral devices, DVD cameras, LCD TVs, communication equipments, OA equipments, etc.
- Reduces noise in ultra high speed circuits as well

STANDARD SPECIFICATIONS:

Operating Temperature: -55°C ~ +125°C

Storage Temperature: -55°C to +125°C

Part Number ACML-0402HC- Impedance Code	Impedance	Frequency	DC resistance	Rated Current
Units	$\Omega \pm 25\%$	MHz	Ω max	mA max
Symbol	Z	F	R _{DC}	I _R
ACML-0402HC-050	5	100	0.05	2000
ACML-0402HC-110	11	100	0.05	2000
ACML-0402HC-310	31	100	0.06	1500
ACML-0402HC-600	60	100	0.08	1500
ACML-0402HC-700	70	100	0.10	1300
ACML-0402HC-121	120	100	0.10	1200
ACML-0402HC-221	220	100	0.25	1000
ACML-0402HC-301	300	100	0.30	1000

Test Conditions and Equipments

I_R: Rated current applied when the chip surface temperature rise just 40°C against chip surface temperature.

Electric power supplier, Electric current meter, Thermometer.

Z: Impedance Analyzer HP4291 or equivalent, 50mV.

DCR: LCR Meter HP4263A or equivalent

OPTIONS AND PART IDENTIFICATION:

ACML-0402HC- [] - []

Impedance Code
Please refer to the
Electrical Specification
table

Packaging
T: Tape and Reel
(10kpcs / reel)



Multilayer Ferrite Chip Bead (High Current)



1.00 x 0.50 x 0.50mm

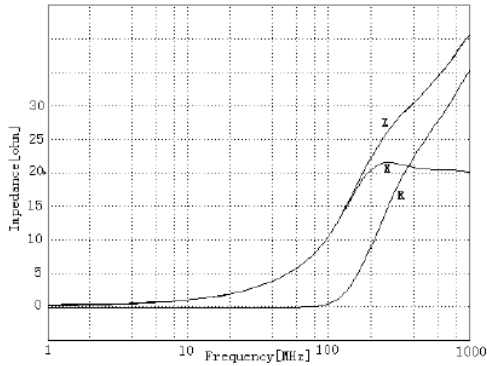
ACML-0402HC



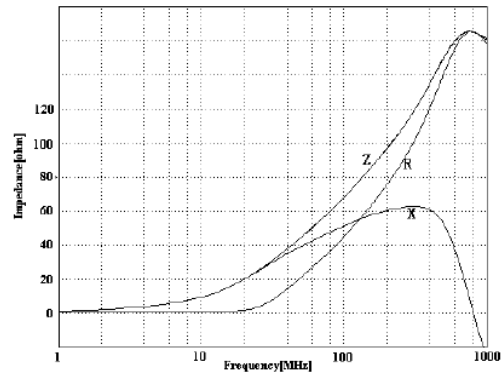
RoHS/RoHS II Compliant

FREQUENCY RESPONSE

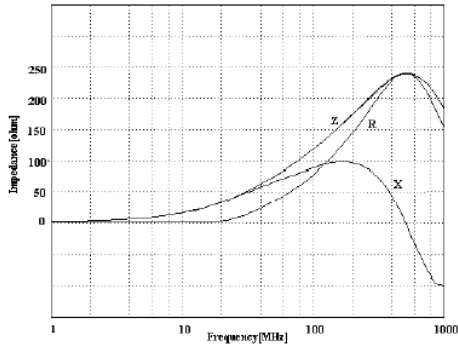
ACML-0402HC-110



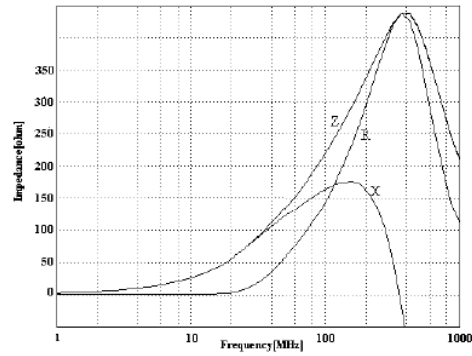
ACML-0402HC-600



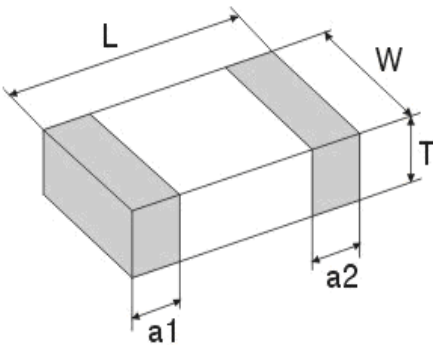
ACML-0402HC-121



ACML-0402HC-301

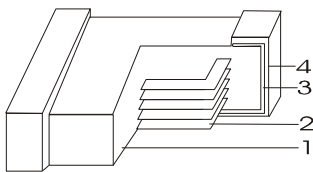


OUTLINE DIMENSIONS:



L	W	T	a1, a2
1.00±0.15	0.50±0.15	0.50±0.15	0.25±0.10

Materials



	Part Name	Material
1	Base Material	Ferrite
2	Internal Conductor	Ag
3	Terminal Electrode	Ag
4	Terminal Electrode	Ni-Sn

Dimension: mm

ABRACON IS
ISO 9001:2008
CERTIFIED



Visit www.abracon.com for Terms & Conditions of Sale **Revised: 11.11.13**
30332 Esperanza, Rancho Santa Margarita, California 92688
tel 949-546-8000 | fax 949-546-8001 | www.abracon.com

Multilayer Ferrite Chip Bead (High Current)



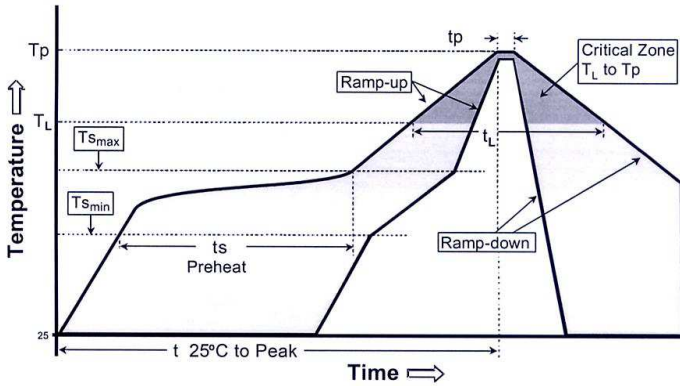
1.00 x 0.50 x 0.50mm

ACML-0402HC



RoHS/RoHS II Compliant

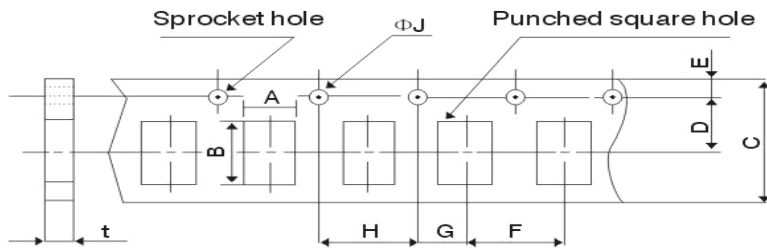
REFLOW PROFILE



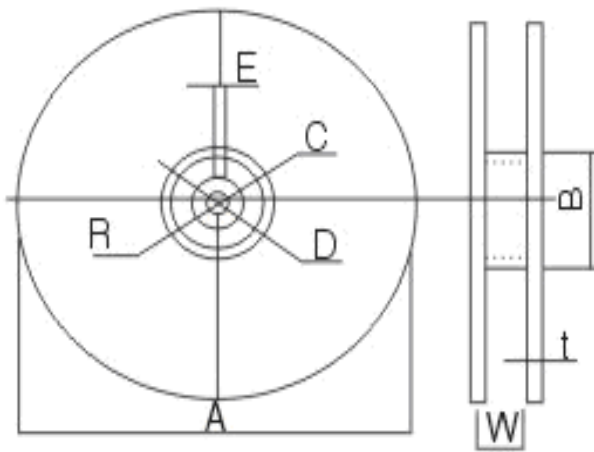
Profile Feature	Lead-Free Assembly
Time maintained above: - Temperature (TL) - Time (tL)	217 °C 60-150 seconds
Peak/Classification Temperature (Tp) Peak/Classification Time (tp)	260 °C 3-4 seconds
Time within 5 °C of actual Peak Temperature (tp)	20-40 seconds
Ramp-Down Rate	6°C/second max.
Time 25 °C to Peak Temperature	8 minutes max.

TAPE & REEL:

T= tape and reel (10,000 pcs/reel)



T	0.5±0.15
A	0.65±0.15
B	1.15±0.15
C	8.0±0.3
D	3.5±0.05
E	1.75±0.1
F	2.0±0.05
G	2.0±0.05
H	4.0±0.1
ΦJ	1.5+0.1/-0
t(max)	0.8±0.05



A	178±2
B	60±2
C	13.0±0.5
D	21.0±0.8
E	2.0±0.5
W	10.0±1.15
t	1.2±0.2
R	1.0±0.25

Dimension: mm

ATTENTION: Abracon Corporation's products are COTS – Commercial-Off-The-Shelf products; suitable for Commercial, Industrial and, where designated, Automotive Applications. Abracon's products are not specifically designed for Military, Aviation, Aerospace, Life-dependant Medical applications or any application requiring high reliability where component failure could result in loss of life and/or property. For applications requiring high reliability and/or presenting an extreme operating environment, written consent and authorization from Abracon Corporation is required. Please contact Abracon Corporation for more information.

ABRACON IS
ISO 9001:2008
CERTIFIED



Visit www.abracon.com for Terms & Conditions of Sale **Revised: 11.11.13**
30332 Esperanza, Rancho Santa Margarita, California 92688
tel 949-546-8000 | fax 949-546-8001 | www.abracon.com