



Chipsmall Limited consists of a professional team with an average of over 10 year of expertise in the distribution of electronic components. Based in Hongkong, we have already established firm and mutual-benefit business relationships with customers from,Europe,America and south Asia,supplying obsolete and hard-to-find components to meet their specific needs.

With the principle of “Quality Parts,Customers Priority,Honest Operation,and Considerate Service”,our business mainly focus on the distribution of electronic components. Line cards we deal with include Microchip,ALPS,ROHM,Xilinx,Pulse,ON,Everlight and Freescale. Main products comprise IC,Modules,Potentiometer,IC Socket,Relay,Connector.Our parts cover such applications as commercial,industrial, and automotives areas.

We are looking forward to setting up business relationship with you and hope to provide you with the best service and solution. Let us make a better world for our industry!



Contact us

Tel: +86-755-8981 8866 Fax: +86-755-8427 6832

Email & Skype: info@chipsmall.com Web: www.chipsmall.com

Address: A1208, Overseas Decoration Building, #122 Zhenhua RD., Futian, Shenzhen, China



FULL SIZE DIP LOW VOLTAGE 3.3V CRYSTAL CLOCK OSCILLATOR



20.2 x 12.6 x 5.08 mm

ACOL Series



ESD Sensitive



RoHS/RoHS II compliant

FEATURES:

- Tristate Enable/Disable option.
- Low supply voltage.
- HCMOS and TTL compatible.
- Tight symmetry option.

APPLICATIONS:

- Clock signal sources for digital chips and microprocessors.
- Low power applications.

STANDARD SPECIFICATIONS:

Parameters		Minimum	Typical	Maximum	Units	Notes
Frequency Range		0.320		200.000	MHz	
Operating Temperature		0		+70	°C	See options
Storage Temperature		-55		+125	°C	
Overall Frequency Stability		-100		+100	ppm	See options
Supply Voltage (Vdd)		2.97	3.3	3.63	V	
Input Current	320.000kHz ~ 24.000MHz			20	mA	
	24.001MHz ~ 49.999MHz			30		
	50.000MHz ~ 79.999MHz			45		
	80.000MHz ~ 200.000MHz			55		
Symmetry @ 1/2Vdd for HCMOS or @ 1.4Vdc for TTL	320.000kHz ~ 49.999MHz	45		55	%	See options
	50.000MHz ~ 200.000MHz	40		60		
Rise and Fall Time (Tr/Tf)	320.000kHz ~ 24.000MHz			10	ns	
	24.001MHz ~ 200.000MHz			5		
	24.001MHz ~ 200.000MHz (50pF output load)			10		
Output Load	32.000kHz ~ 79.999MHz			15	pF	See options
				10	TTL	
	80.000MHz ~ 200.000MHz			15	pF	
				5	TTL	
Output Voltage	VOH	0.9*Vdd			V	
	VOL			0.1*Vdd	V	
Tri-state Function (Option A)	VIH	2.2			V	"1" or Open: Oscillation
	VIL			0.8	V	"0": Output disable (Hi Z)
Output Enable time				4	ms	For option A only
Output Disable time				100	ns	For option A only
Startup Time				10	ms	

* Overall frequency stability includes initial tolerance and temperature stability.

FULL SIZE DIP LOW VOLTAGE 3.3V CRYSTAL CLOCK OSCILLATOR



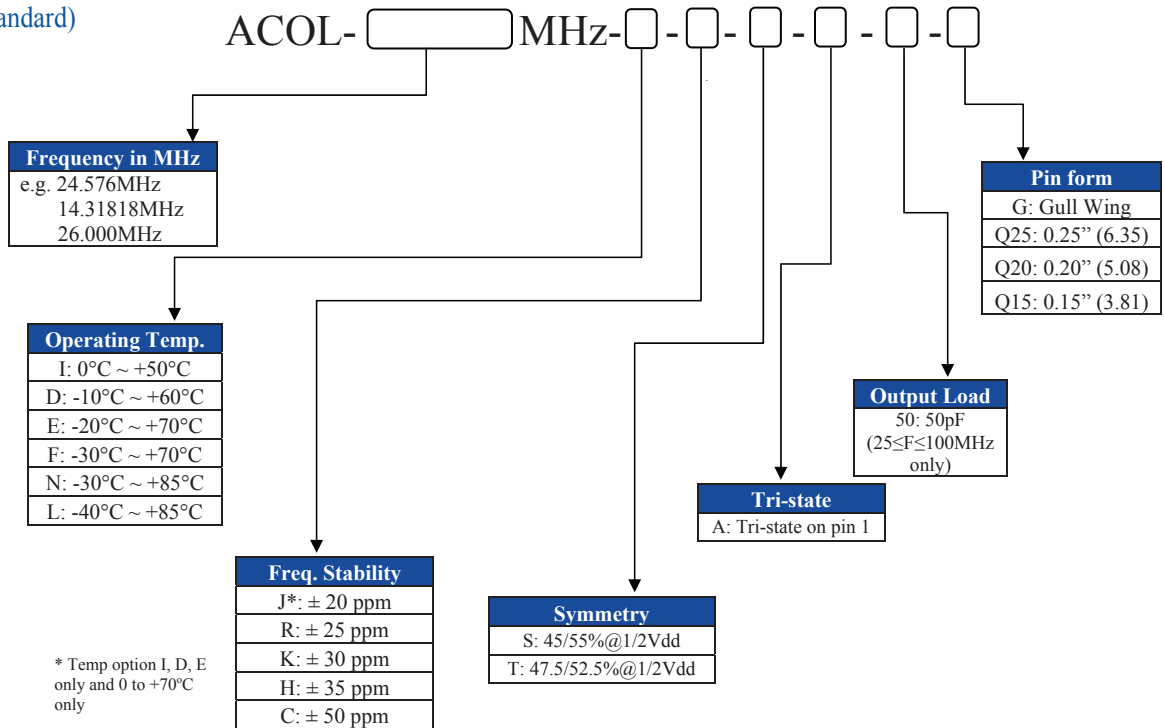
20.2 x 12.6 x 5.08 mm

ACOL Series

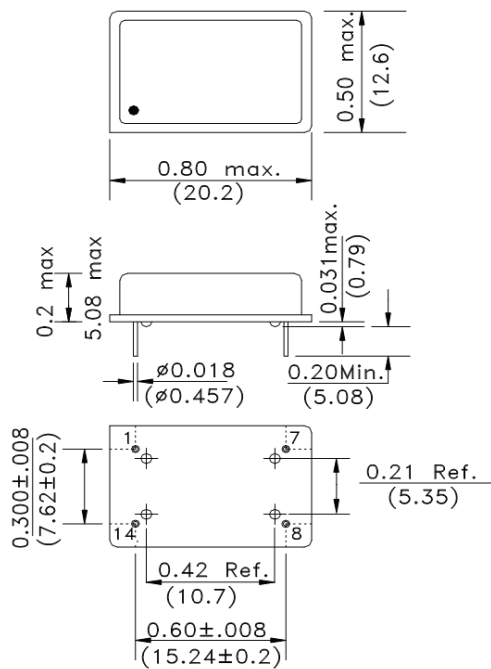
Pb RoHS/RoHS II compliant

OPTIONS & PART IDENTIFICATION:

(Left blank if standard)



OUTLINE DIMENSIONS:



Pin	Function
1	Tri-State/NC
7	GND
8	Output
14	Vdd

Note: Recommend using an approximately 0.01uF bypass capacitor between PIN 7 and 14.

Dimensions: inches (mm)

Packaging: 25pcs /tube

ATTENTION: Abracon Corporation's products are COTS – Commercial-Off-The-Shelf products; suitable for Commercial, Industrial and, where designated, Automotive Applications. Abracon's products are not specifically designed for Military, Aviation, Aerospace, Life-dependant Medical applications or any application requiring high reliability where component failure could result in loss of life and/or property. For applications requiring high reliability and/or presenting an extreme operating environment, written consent and authorization from Abracon Corporation is required. Please contact Abracon Corporation for more information.

ABRACON IS
ISO9001:2008
CERTIFIED



2 Faraday, Suite# B | Irvine | CA 92618 Revised: 09.25.15
Ph. 949.546.8000 | Fax. 949.546.8001
Visit www.abracon.com for Terms and Conditions of Sale