



Chipsmall Limited consists of a professional team with an average of over 10 year of expertise in the distribution of electronic components. Based in Hongkong, we have already established firm and mutual-benefit business relationships with customers from,Europe,America and south Asia,supplying obsolete and hard-to-find components to meet their specific needs.

With the principle of "Quality Parts,Customers Priority,Honest Operation,and Considerate Service",our business mainly focus on the distribution of electronic components. Line cards we deal with include Microchip,ALPS,ROHM,Xilinx,Pulse,ON,Everlight and Freescale. Main products comprise IC,Modules,Potentiometer,IC Socket,Relay,Connector.Our parts cover such applications as commercial,industrial, and automotives areas.

We are looking forward to setting up business relationship with you and hope to provide you with the best service and solution. Let us make a better world for our industry!



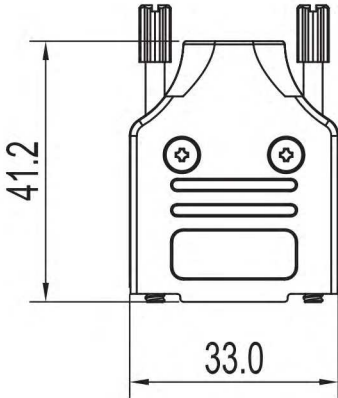
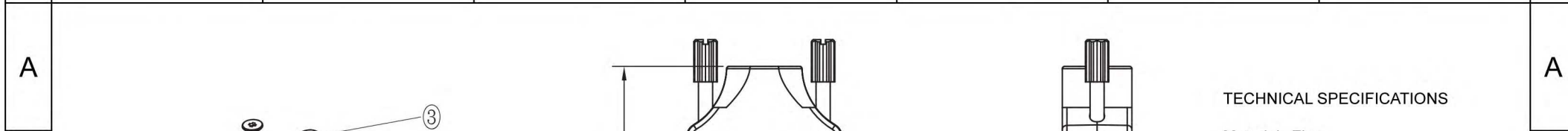
## Contact us

Tel: +86-755-8981 8866 Fax: +86-755-8427 6832

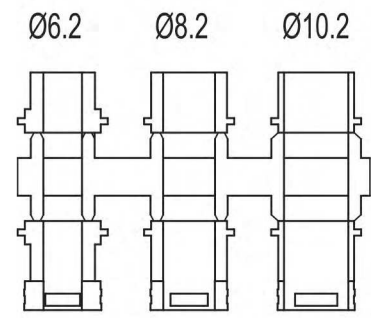
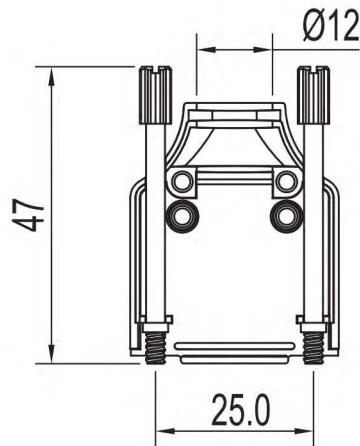
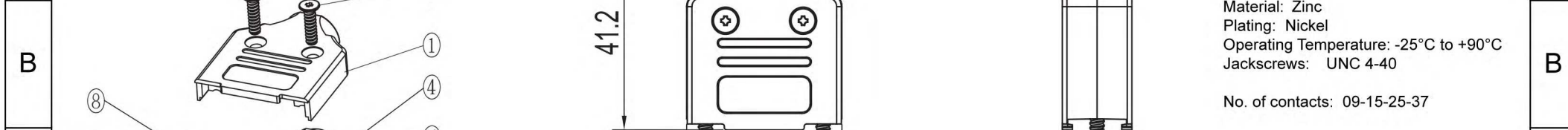
Email & Skype: info@chipsmall.com Web: www.chipsmall.com

Address: A1208, Overseas Decoration Building, #122 Zhenhua RD., Futian, Shenzhen, China





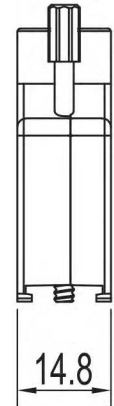
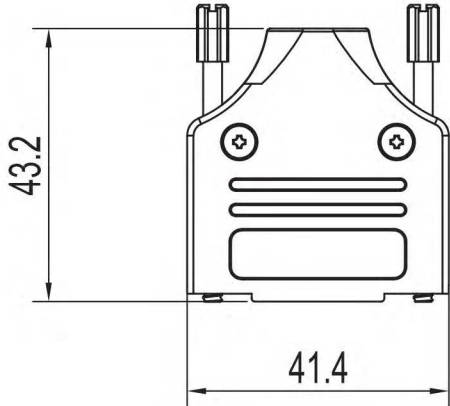
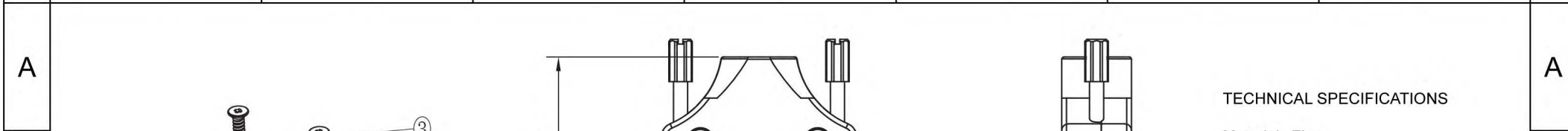
**TECHNICAL SPECIFICATIONS**  
 Material: Zinc  
 Plating: Nickel  
 Operating Temperature: -25°C to +90°C  
 Jackscrews: UNC 4-40  
 No. of contacts: 09-15-25-37



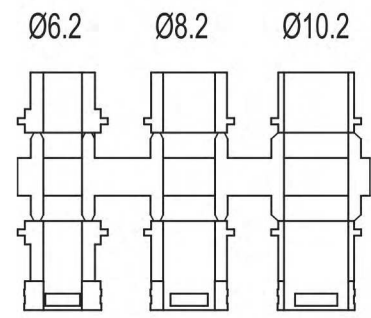
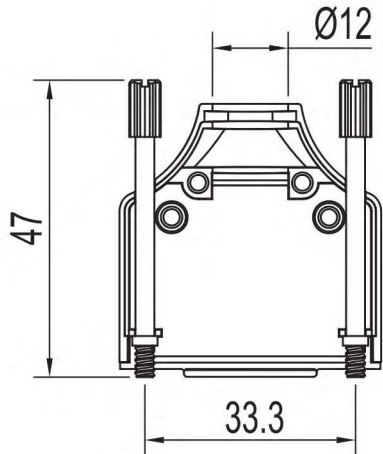
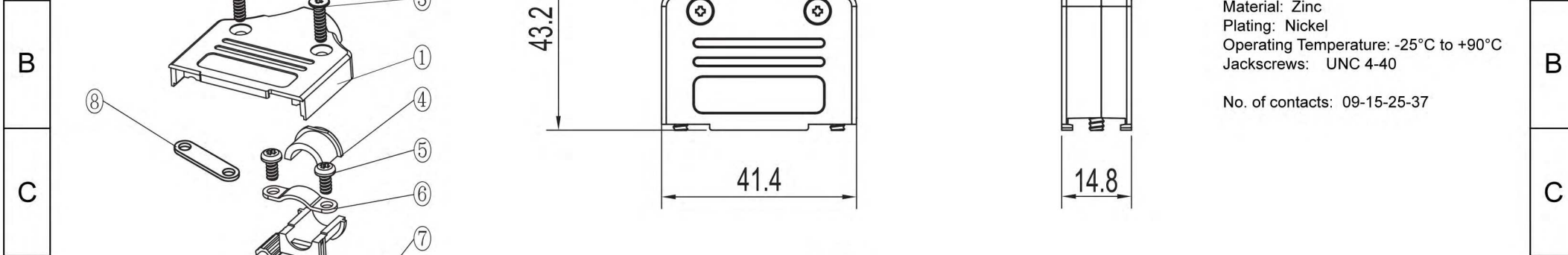
Grommet Set

Item	QTY	Part description
1	1	Upper Cover
2	1	Lower Cover
3	2	M3x12 CSK Screw
4	1	Grommet Set
5	2	M3x6 Screw
6	1	Clamp-Rounded
7	2	Thumbscrew UNC4-40x47
8	1	Clamp-Flat

G	<b>RoHS compliant</b> Unit: mm		Scale	Free				Date	Name	Customer-No.
			TOLERANCE					Drawn	17.08.2017	S.Bölling
			0~6	±0.10				Approved	17.08.2017	S.Bölling
			6~30	±0.20						
H			30~120	±0.30						ASSMANN WSW-No. ACOV-SUB-09MB26
			120~400	±0.50						Drawing-No. ASS_5267_CO
			DIM	Tol	© Drawn	17.08.2017	S.Bölling			rev00
			Angle	±1°	Id.	Modification	Date			Name



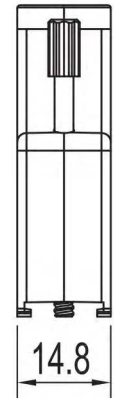
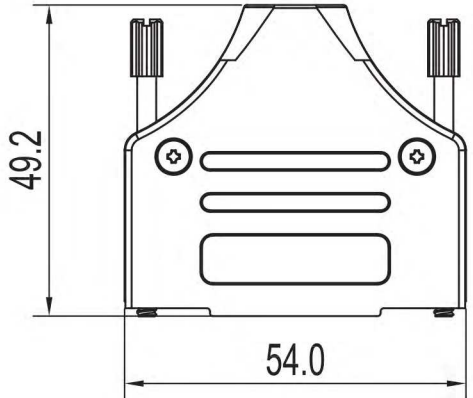
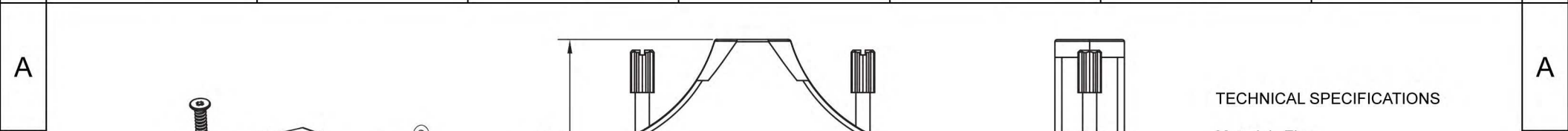
**TECHNICAL SPECIFICATIONS**  
 Material: Zinc  
 Plating: Nickel  
 Operating Temperature: -25°C to +90°C  
 Jackscrews: UNC 4-40  
 No. of contacts: 09-15-25-37



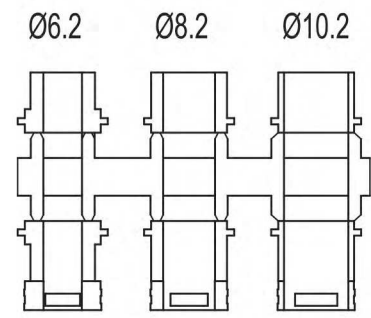
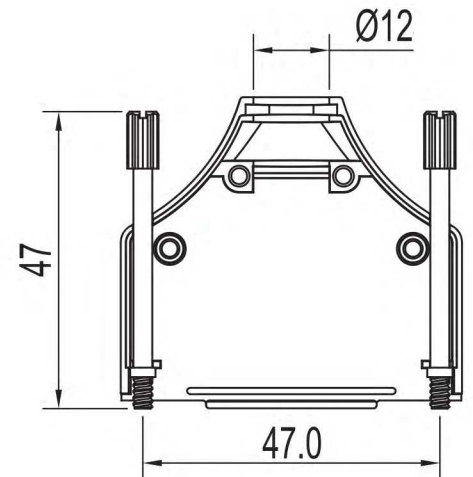
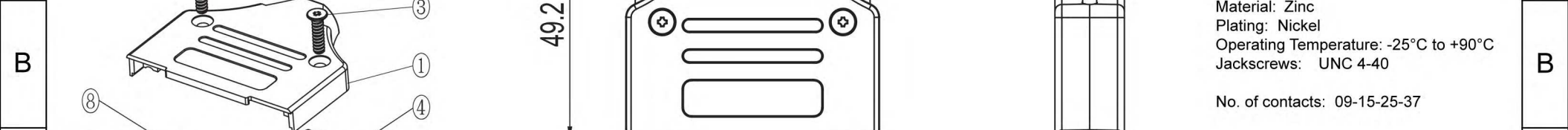
Grommet Set

Item	QTY	Part description
1	1	Upper Cover
2	1	Lower Cover
3	2	M3x12 CSK Screw
4	1	Grommet Set
5	2	M3x6 Screw
6	1	Clamp-Rounded
7	2	Thumbscrew UNC4-40x47
8	1	Clamp-Flat

G	<b>RoHS compliant</b> Unit: mm		Scale	Free					Date	Name	Customer-No.
			TOLERANCE					Drawn	17.08.2017	S.Bölling	ASSMANN WSW-No. <b>ACOV-SUB-15MB26</b>
			0~6	±0.10				Approved	17.08.2017	S.Bölling	
		6~30	±0.20								
H			30~120	±0.30							Drawing-No.
			120~400	±0.50							<b>ASS_5267_CO</b>
			DIM	Tol				<b>ASSMANN</b> WSW components			rev00
			Angle	±1°	ⓐ	Drawn	17.08.2017			S.Bölling	Replace
			Angle	Tol	Id.	Modification	Date	Name			



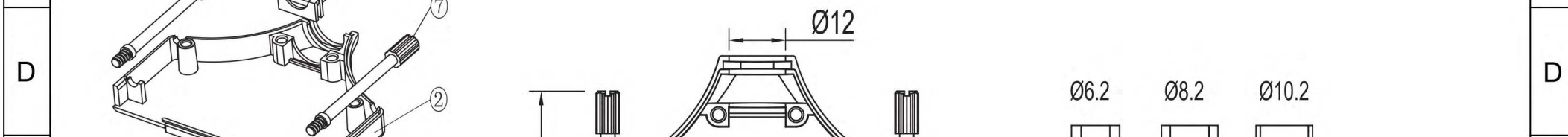
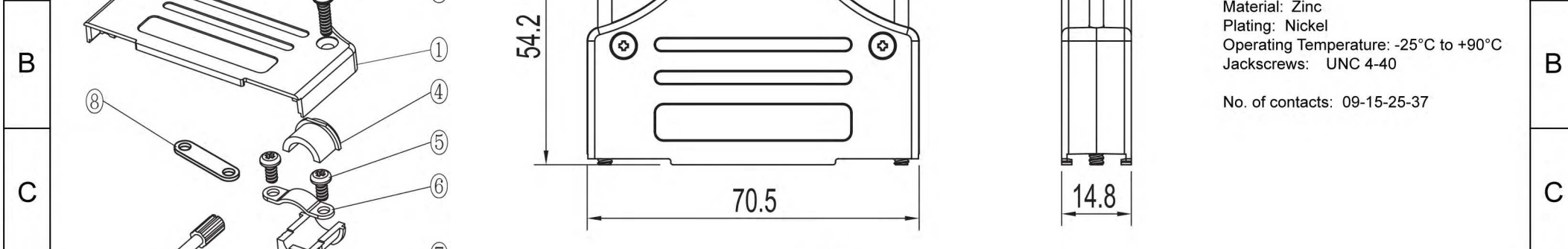
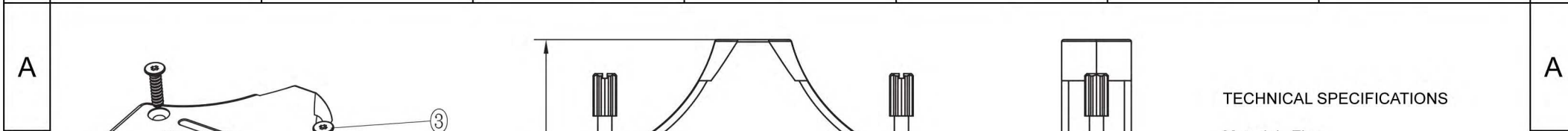
**TECHNICAL SPECIFICATIONS**  
 Material: Zinc  
 Plating: Nickel  
 Operating Temperature: -25°C to +90°C  
 Jackscrews: UNC 4-40  
 No. of contacts: 09-15-25-37



Grommet Set

Item	QTY	Part description
1	1	Upper Cover
2	1	Lower Cover
3	2	M3x12 CSK Screw
4	1	Grommet Set
5	2	M3x6 Screw
6	1	Clamp-Rounded
7	2	Thumbscrew UNC4-40x47
8	1	Clamp-Flat

G	<b>RoHS compliant</b> Unit: mm		Scale	Free					Date	Name	Customer-No.
			TOLERANCE					Drawn	17.08.2017	S.Bölling	ASSMANN WSW-No. <b>ACOV-SUB-25MB26</b>
			0~6	±0.10				Approved	17.08.2017	S.Bölling	
H			6~30	±0.20							Drawing-No.
			30~120	±0.30							<b>ASS_5267_CO</b>
			120~400	±0.50							rev00
			DIM	Tol	Ⓢ	Drawn	17.08.2017	S.Bölling			Replace
		Angle	±1°	Ⓢ	Modification	Date	Name				



**TECHNICAL SPECIFICATIONS**  
 Material: Zinc  
 Plating: Nickel  
 Operating Temperature: -25°C to +90°C  
 Jackscrews: UNC 4-40  
 No. of contacts: 09-15-25-37

Item	QTY	Part description
1	1	Upper Cover
2	1	Lower Cover
3	2	M3x12 CSK Screw
4	1	Grommet Set
5	2	M3x6 Screw
6	1	Clamp-Rounded
7	2	Thumbscrew UNC4-40x47
8	1	Clamp-Flat

<b>G</b>	<b>RoHS compliant</b> Unit: mm		Scale	Free				Date	Name	Customer-No.	
			TOLERANCE					Drawn	17.08.2017	S.Bölling	ASSMANN WSW-No. <b>ACOV-SUB-37MB26</b>
			0~6	±0.10				Approved	17.08.2017	S.Bölling	
			6~30	±0.20							
<b>H</b>			30~120	±0.30							Drawing-No. <b>ASS_5267_CO</b> rev00
			120~400	±0.50							
			DIM	Tol	Ⓢ	Drawn	17.08.2017	S.Bölling	<b>ASSMANN</b> WSW components		
			Angle	±1°	Ⓢ	Modification	Date	Name			