



Chipsmall Limited consists of a professional team with an average of over 10 year of expertise in the distribution of electronic components. Based in Hongkong, we have already established firm and mutual-benefit business relationships with customers from,Europe,America and south Asia,supplying obsolete and hard-to-find components to meet their specific needs.

With the principle of “Quality Parts,Customers Priority,Honest Operation,and Considerate Service”,our business mainly focus on the distribution of electronic components. Line cards we deal with include Microchip,ALPS,ROHM,Xilinx,Pulse,ON,Everlight and Freescale. Main products comprise IC,Modules,Potentiometer,IC Socket,Relay,Connector.Our parts cover such applications as commercial,industrial, and automotives areas.

We are looking forward to setting up business relationship with you and hope to provide you with the best service and solution. Let us make a better world for our industry!



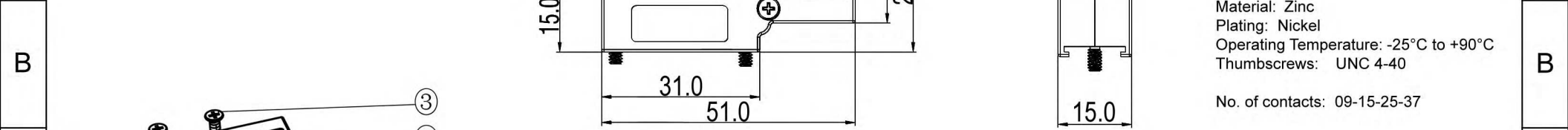
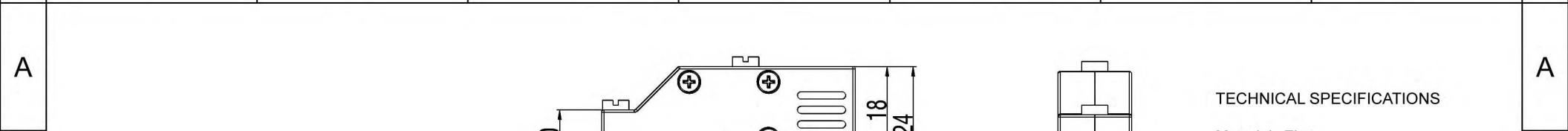
Contact us

Tel: +86-755-8981 8866 Fax: +86-755-8427 6832

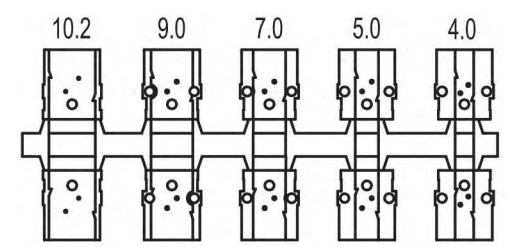
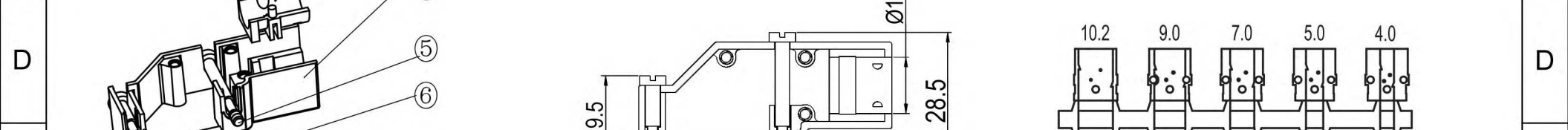
Email & Skype: info@chipsmall.com Web: www.chipsmall.com

Address: A1208, Overseas Decoration Building, #122 Zhenhua RD., Futian, Shenzhen, China





TECHNICAL SPECIFICATIONS
 Material: Zinc
 Plating: Nickel
 Operating Temperature: -25°C to +90°C
 Thumbscrews: UNC 4-40
 No. of contacts: 09-15-25-37



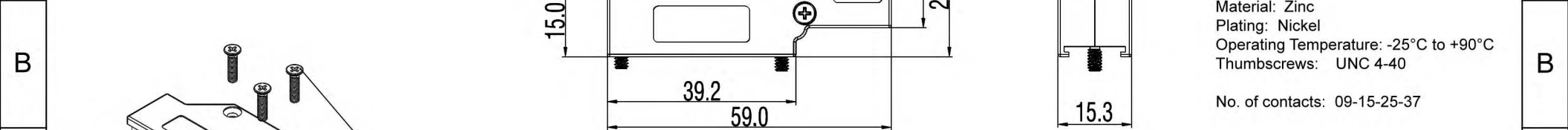
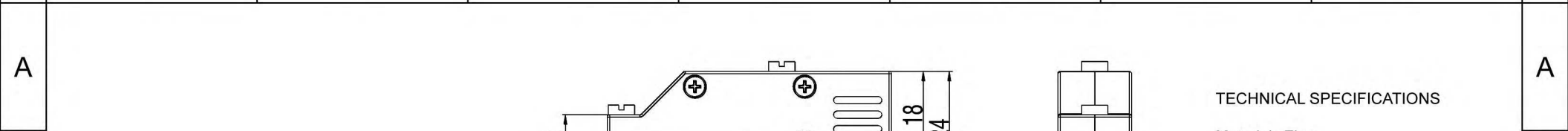
Grommet Set

Item	QTY	Part description
1	1	Upper Cover
2	1	Lower Cover
3	3	CSK M2.5x11.5 Screw
4	1	Grommet Set
5	1	Jackscrew UNC4-40x28.5
6	1	Jackscrew UNC4-40x19.5

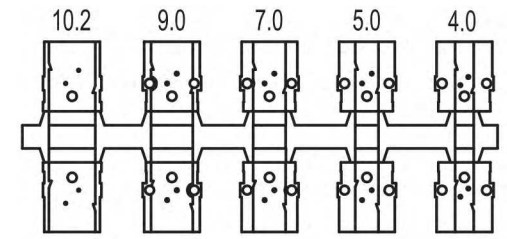
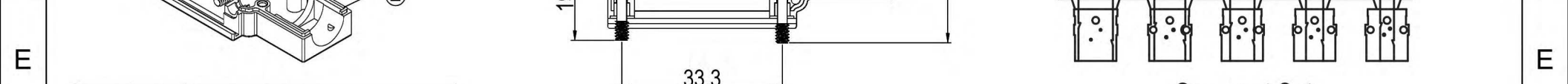
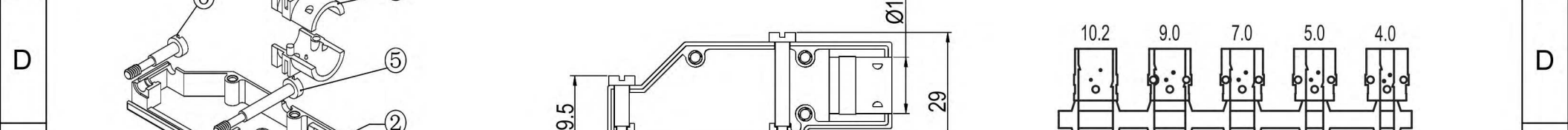
RoHS compliant
 Unit: mm

Scale	Free				Date	Name	Customer-No.	
TOLERANCE					Drawn	17.08.2017	S.Bölling	
0~6	±0.10				Approved	17.08.2017	S.Bölling	
6~30	±0.20							
30~120	±0.30							
120~400	±0.50							
DIM	Tol							
Angle	±1°	Ⓢ	Drawn	17.08.2017				S.Bölling
Angle	Tol	Id.	Modification	Date				Name

Customer-No.		
ASSMANN WSW-No.		ACOVSUB-09MB39
Drawing-No.	ASS_5280_CO	rev00
Replace		Sheet 1/4



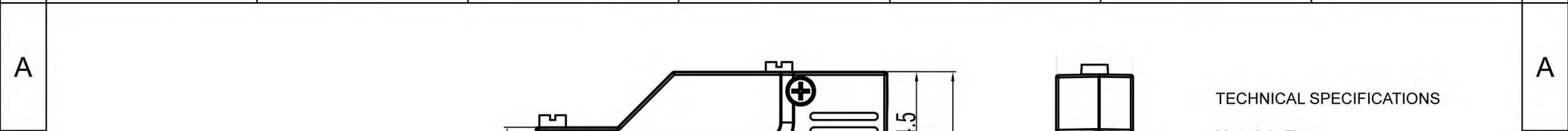
TECHNICAL SPECIFICATIONS
 Material: Zinc
 Plating: Nickel
 Operating Temperature: -25°C to +90°C
 Thumbscrews: UNC 4-40
 No. of contacts: 09-15-25-37



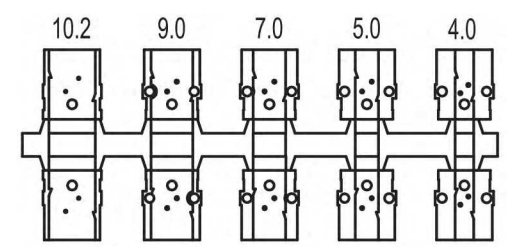
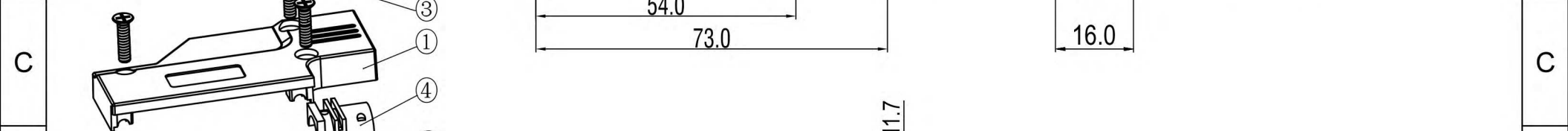
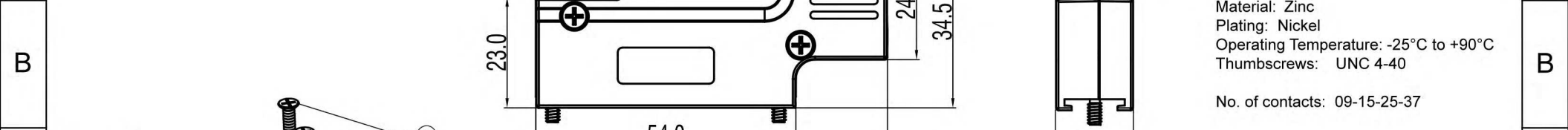
Grommet Set

Item	QTY	Part description
1	1	Upper Cover
2	1	Lower Cover
3	3	CSK M2.5x11.5 Screw
4	1	Grommet Set
5	1	Jackscrew UNC4-40x28.5
6	1	Jackscrew UNC4-40x19.5

G	RoHS compliant Unit: mm		Scale	Free				Date	Name	Customer-No.	
			TOLERANCE					Drawn	17.08.2017	S.Bölling	ASSMANN WSW-No. ACOV-SUB-15MB39
			0~6	±0.10				Approved	17.08.2017	S.Bölling	
			6~30	±0.20							
H			30~120	±0.30							Drawing-No.
			120~400	±0.50							ASS_5280_CO
			DIM	Tol							rev00
			Angle	±1°	Ⓢ	Drawn	17.08.2017			S.Bölling	Replace
		Angle	Tol	Id.	Modification	Date	Name				



TECHNICAL SPECIFICATIONS
 Material: Zinc
 Plating: Nickel
 Operating Temperature: -25°C to +90°C
 Thumbscrews: UNC 4-40
 No. of contacts: 09-15-25-37

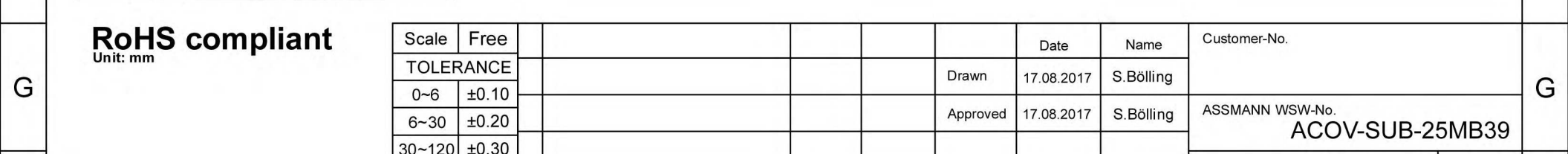


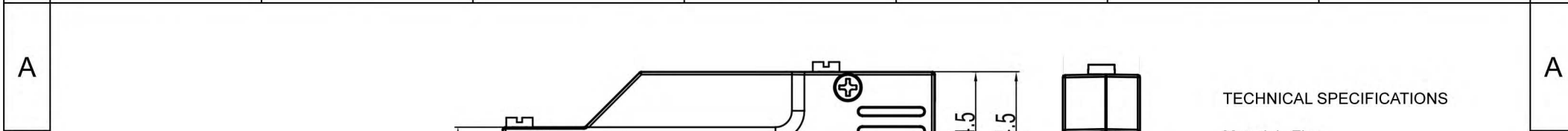
Grommet Set

Item	QTY	Part description
1	1	Upper Cover
2	1	Lower Cover
3	3	CSK M3x12 Screw
4	1	Grommet Set
5	1	Jackscrew UNC4-40x39.5
6	1	Jackscrew UNC4-40x28.5

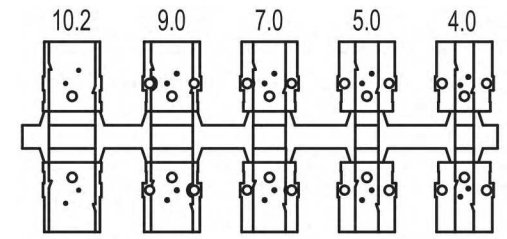
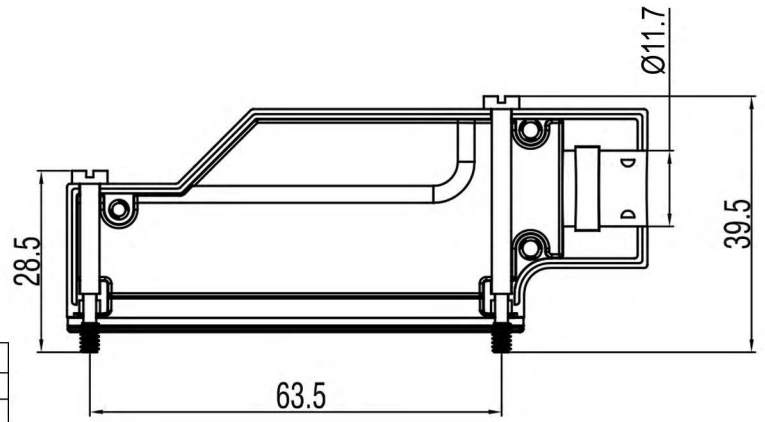
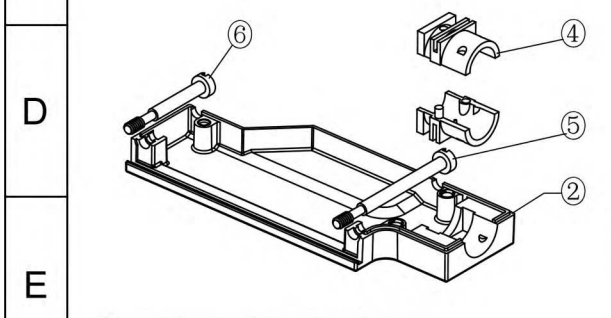
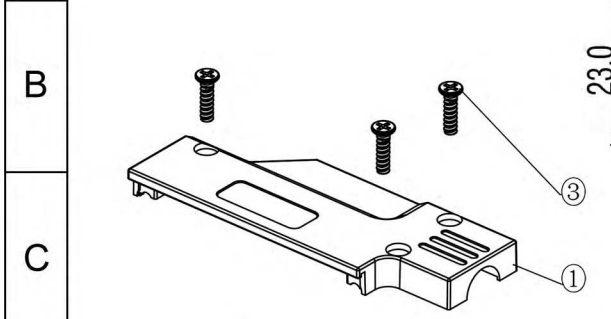
RoHS compliant
 Unit: mm

Scale	Free				Date	Name	Customer-No.
TOLERANCE					Drawn	17.08.2017	S.Bölling
0~6	±0.10				Approved	17.08.2017	S.Bölling
6~30	±0.20						
30~120	±0.30						
120~400	±0.50						
DIM	Tol						
Angle	±1°	Ⓢ	Drawn	17.08.2017	S.Bölling	ASSMANN WSW components Drawing-No. ASS_5280_CO rev00 Replace Sheet 3/4	
Angle	Tol	Id.	Modification	Date	Name		





TECHNICAL SPECIFICATIONS
 Material: Zinc
 Plating: Nickel
 Operating Temperature: -25°C to +90°C
 Thumbscrews: UNC 4-40
 No. of contacts: 09-15-25-37



Grommet Set

Item	QTY	Part description
1	1	Upper Cover
2	1	Lower Cover
3	3	CSK M3x12 Screw
4	1	Grommet Set
5	1	Jackscrew UNC4-40x39.5
6	1	Jackscrew UNC4-40x28.5

RoHS compliant
 Unit: mm

Scale	Free				Date	Name	Customer-No.	
TOLERANCE					Drawn	17.08.2017	S.Bölling	
0~6	±0.10				Approved	17.08.2017	S.Bölling	
6~30	±0.20							
30~120	±0.30							
120~400	±0.50							
DIM	Tol							
Angle	±1°	Ⓢ	Drawn	17.08.2017				S.Bölling
Angle	Tol	Id.	Modification	Date				Name

Customer-No.
 ASSMANN WSW-No.
ACOV-SUB-37MB39

Drawing-No.
ASS_5280_CO rev00
 Replace Sheet 4/4