



Chipsmall Limited consists of a professional team with an average of over 10 year of expertise in the distribution of electronic components. Based in Hongkong, we have already established firm and mutual-benefit business relationships with customers from,Europe,America and south Asia,supplying obsolete and hard-to-find components to meet their specific needs.

With the principle of “Quality Parts,Customers Priority,Honest Operation,and Considerate Service”,our business mainly focus on the distribution of electronic components. Line cards we deal with include Microchip,ALPS,ROHM,Xilinx,Pulse,ON,Everlight and Freescale. Main products comprise IC,Modules,Potentiometer,IC Socket,Relay,Connector.Our parts cover such applications as commercial,industrial, and automotives areas.

We are looking forward to setting up business relationship with you and hope to provide you with the best service and solution. Let us make a better world for our industry!



Contact us

Tel: +86-755-8981 8866 Fax: +86-755-8427 6832

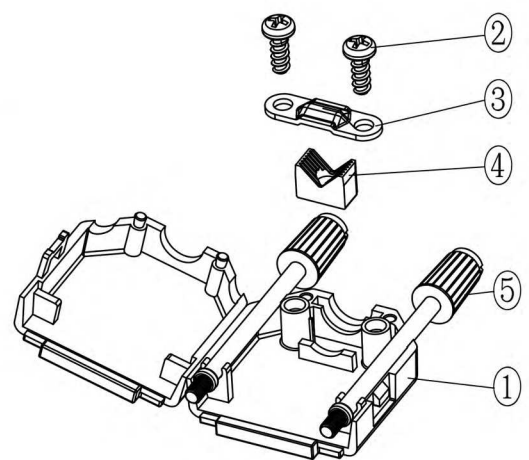
Email & Skype: info@chipsmall.com Web: www.chipsmall.com

Address: A1208, Overseas Decoration Building, #122 Zhenhua RD., Futian, Shenzhen, China

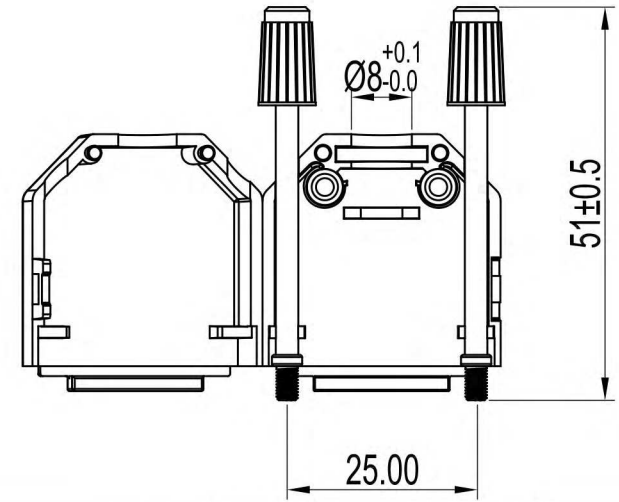
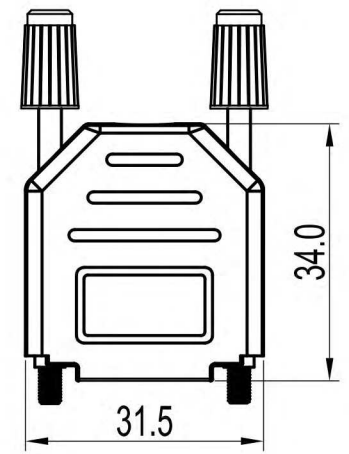
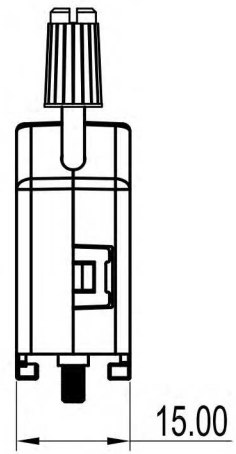


A
B
C
D
E
F
G
H

A
B
C
D
E
F
G
H



Item	QTY	Part description
1	1	Plastic Cover
2	2	EPS 3x8 Self Tapping Screw
3	1	Cable Clamp
4	1	Plastic Insert
5	2	Jackscrews UNC4-40x51mm



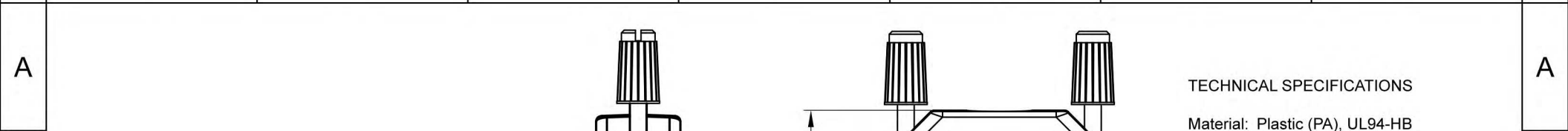
TECHNICAL SPECIFICATIONS
 Material: Plastic (PA), UL94-HB
 Colour: Red
 Operating Temperature: -55°C to +110°C
 Thumbscrews: UNC 4-40
 No. of contacts: 09-15-25-37-50

RoHS compliant
 Unit: mm

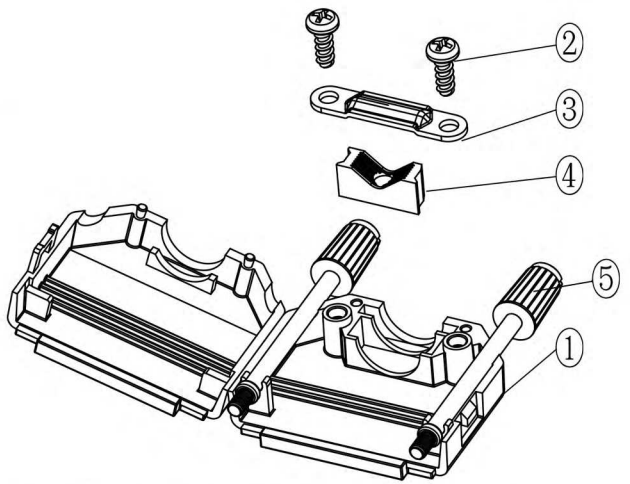
Scale	Free				Date	Name	Customer-No.	
TOLERANCE					Drawn	17.08.2017	S.Bölling	
0~6	±0.10				Approved	17.08.2017	S.Bölling	
6~30	±0.20							
30~120	±0.30							
120~400	±0.50							
DIM	Tol							
Angle	±1°	Ⓢ	Drawn	17.08.2017				S.Bölling
Angle	Tol	Id.	Modification	Date				Name

ASSMANN WSW-No. ACOV-SUB-09NB15	
Drawing-No. ASS_5256_CO	rev00
Replace	Sheet 1/5

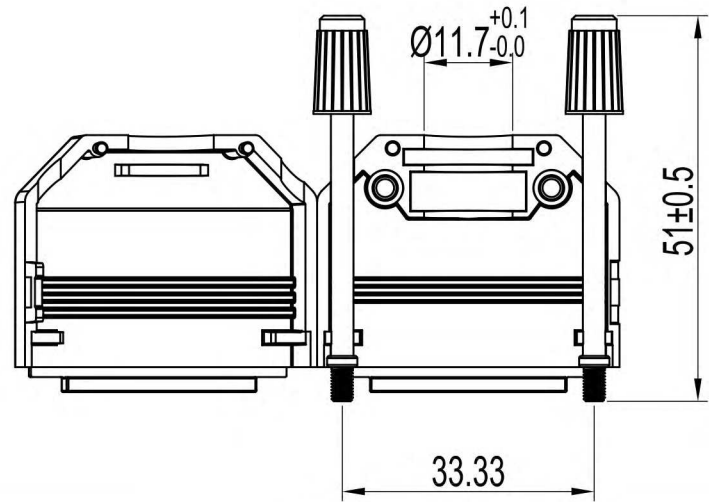
1 2 3 4 5 6 7



TECHNICAL SPECIFICATIONS
 Material: Plastic (PA), UL94-HB
 Colour: Red
 Operating Temperature: -55°C to +110°C
 Thumbscrews: UNC 4-40
 No. of contacts: 09-15-25-37-50



Item	QTY	Part description
1	1	Plastic Cover
2	2	EPS 3x8 Self Tapping Screw
3	1	Cable Clamp
4	1	Plastic Insert
5	2	Jackscrews UNC4-40x51mm



RoHS compliant
 Unit: mm

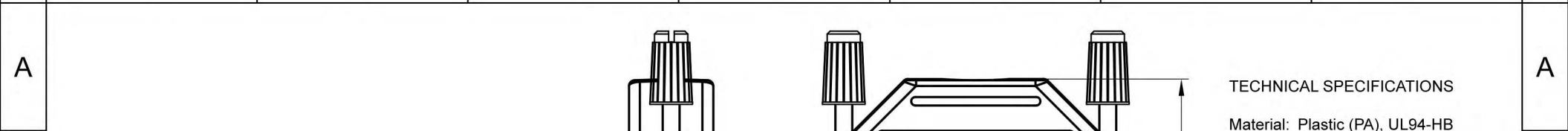
Scale	Free				Date	Name	Customer-No.
TOLERANCE					Drawn	17.08.2017	S.Bölling
0~6	±0.10				Approved	17.08.2017	S.Bölling
6~30	±0.20						
30~120	±0.30						
120~400	±0.50						
DIM	Tol						
Angle	±1°	Ⓢ	Drawn	17.08.2017	S.Bölling		
Angle	Tol	Id.	Modification	Date	Name		



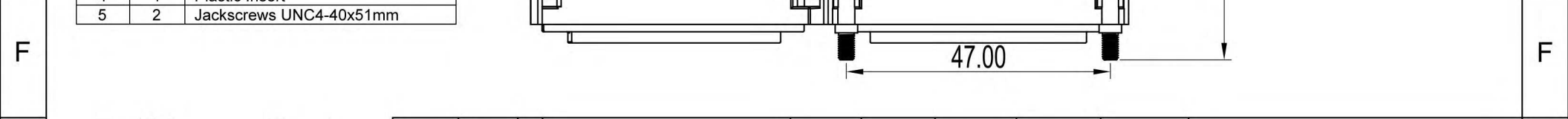
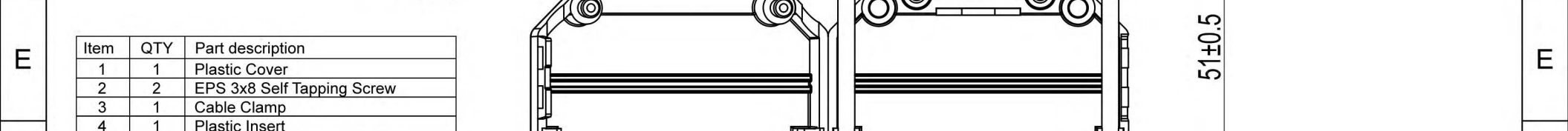
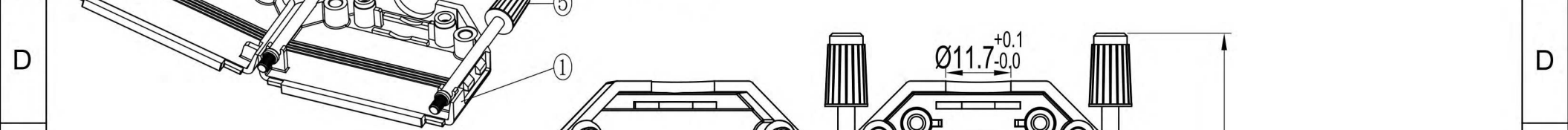
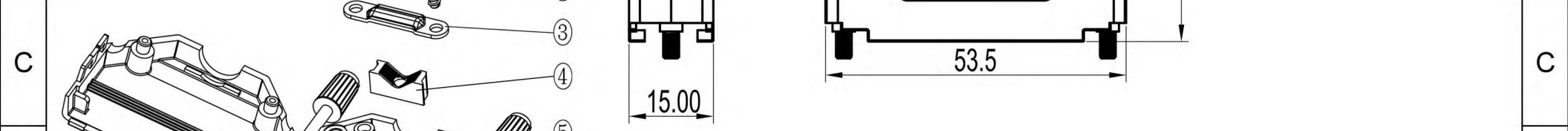
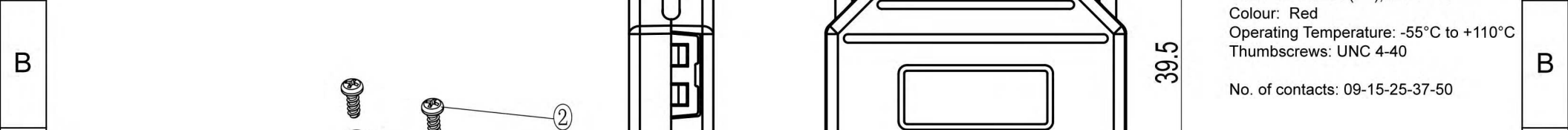
ASSMANN WSW-No.
ACOV-SUB-15NB15
 Drawing-No.
ASS_5256_CO rev00
 Replace Sheet 2/5

1 2 3 4 5 6 7 SV4382

1 2 3 4 5 6 7



TECHNICAL SPECIFICATIONS
 Material: Plastic (PA), UL94-HB
 Colour: Red
 Operating Temperature: -55°C to +110°C
 Thumbscrews: UNC 4-40
 No. of contacts: 09-15-25-37-50



Item	QTY	Part description
1	1	Plastic Cover
2	2	EPS 3x8 Self Tapping Screw
3	1	Cable Clamp
4	1	Plastic Insert
5	2	Jackscrews UNC4-40x51mm

RoHS compliant
 Unit: mm

Scale	Free	Date	Name	Customer-No.
TOLERANCE		Drawn	17.08.2017	S.Bölling
0~6	±0.10	Approved	17.08.2017	S.Bölling
6~30	±0.20			
30~120	±0.30			
120~400	±0.50			

DIM	Tol	Drawn	Date	Name	ASSMANN WSW-No.	Drawing-No.	Rev
Angle	±1°	Ⓢ	17.08.2017	S.Bölling	ACOV-SUB-25NB15	ASS_5256_CO	rev00
Angle	Tol	Id.	Modification	Date	Name	Replace	Sheet 3/5



1 2 3 4 5 6 7 SV4382

1

2

3

4

5

6

7

A

A

B

B

C

C

D

D

E

E

F

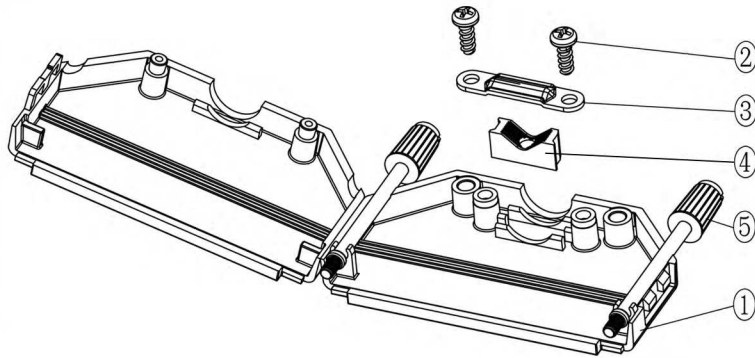
F

G

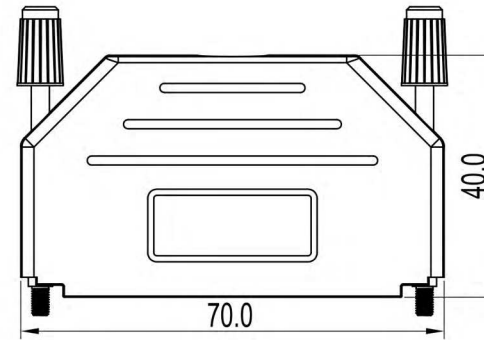
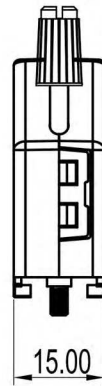
G

H

H



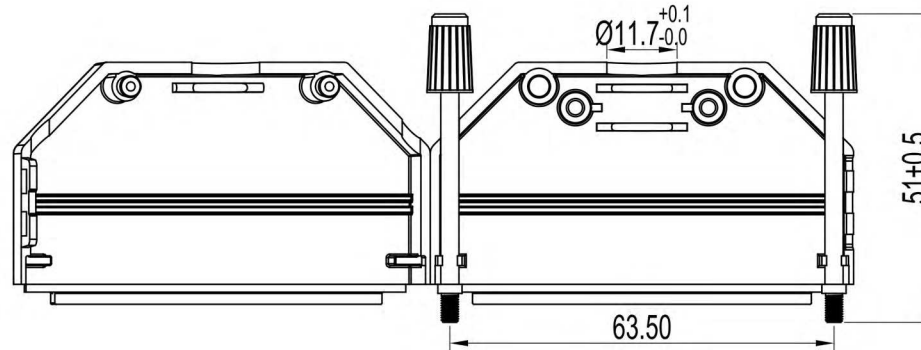
Item	QTY	Part description
1	1	Plastic Cover
2	2	EPS 3x8 Self Tapping Screw
3	1	Cable Clamp
4	1	Plastic Insert
5	2	Jackscrews UNC4-40x51mm



TECHNICAL SPECIFICATIONS

Material: Plastic (PA), UL94-HB
 Colour: Red
 Operating Temperature: -55°C to +110°C
 Thumbscrews: UNC 4-40

No. of contacts: 09-15-25-37-50



RoHS compliant
 Unit: mm

Scale	Free				Date	Name	Customer-No.
TOLERANCE					Drawn	17.08.2017	S.Bölling
0~6	±0.10				Approved	17.08.2017	S.Bölling
6~30	±0.20						
30~120	±0.30						
120~400	±0.50						
DIM	Tol						
Angle	±1°	Ⓢ	Drawn	17.08.2017	S.Bölling		
Angle	Tol	Id.	Modification	Date	Name		

ASSMANN
 WSW components

ASSMANN WSW-No.
ACOV-SUB-37NB15

Drawing-No.
ASS_5256_CO rev00

Replace Sheet 4/5

1

2

3

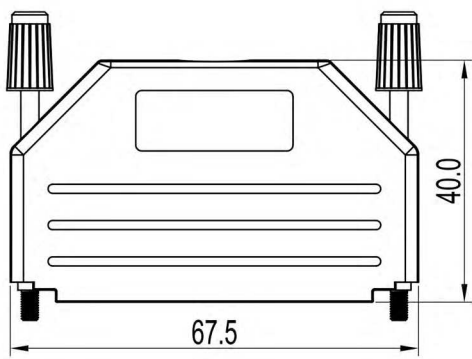
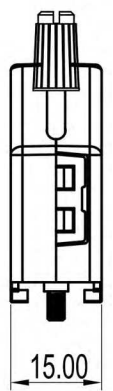
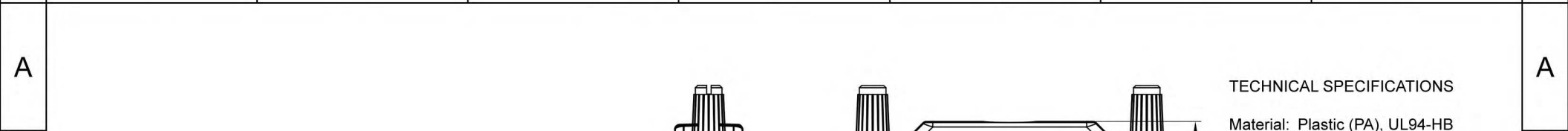
4

5

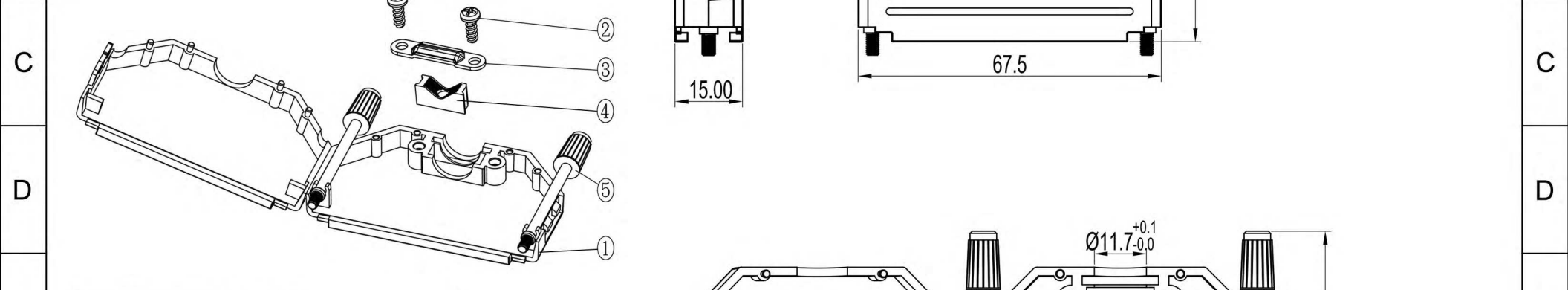
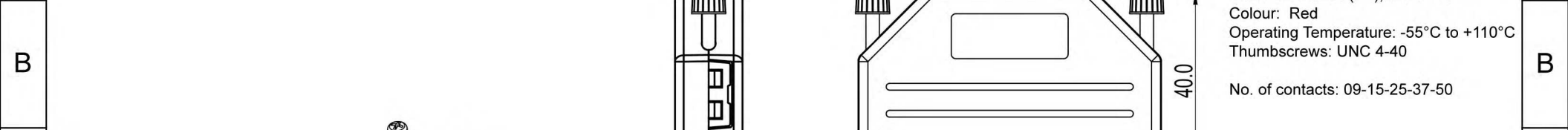
6

7

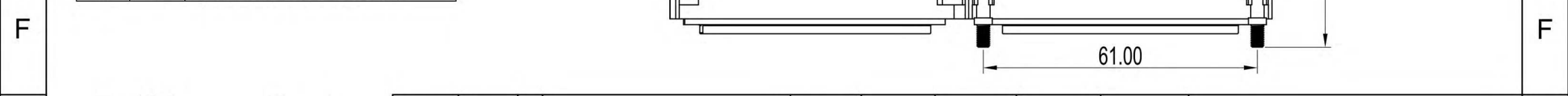
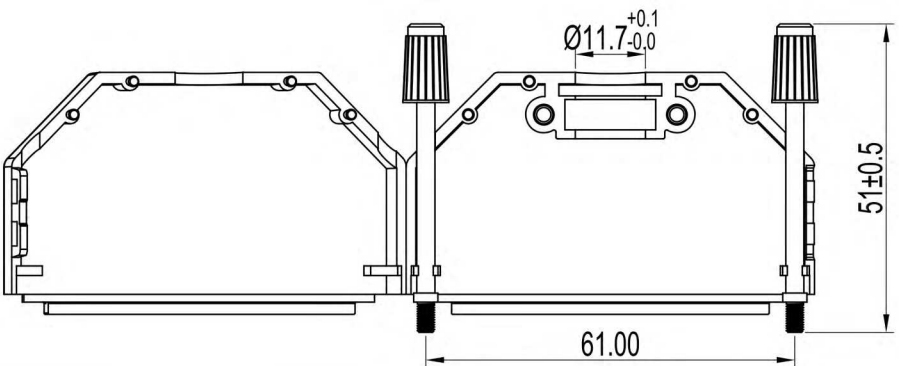
SV4382



TECHNICAL SPECIFICATIONS
 Material: Plastic (PA), UL94-HB
 Colour: Red
 Operating Temperature: -55°C to +110°C
 Thumbscrews: UNC 4-40
 No. of contacts: 09-15-25-37-50



Item	QTY	Part description
1	1	Plastic Cover
2	2	EPS 3x8 Self Tapping Screw
3	1	Cable Clamp
4	1	Plastic Insert
5	2	Jackscrews UNC4-40x51mm



RoHS compliant
 Unit: mm

Scale	Free				Date	Name	Customer-No.
TOLERANCE					Drawn	17.08.2017	S.Bölling
0~6	±0.10				Approved	17.08.2017	S.Bölling
6~30	±0.20						
30~120	±0.30						
120~400	±0.50						
DIM	Tol						
Angle	±1°	Ⓢ	Drawn	17.08.2017	S.Bölling		
Angle	Tol	Id.	Modification	Date	Name		

ASSMANN WSW-No.
ACOV-SUB-50NB15



Drawing-No.
ASS_5256_CO rev00
 Replace Sheet 5/5