



Chipsmall Limited consists of a professional team with an average of over 10 year of expertise in the distribution of electronic components. Based in Hongkong, we have already established firm and mutual-benefit business relationships with customers from,Europe,America and south Asia,supplying obsolete and hard-to-find components to meet their specific needs.

With the principle of “Quality Parts,Customers Priority,Honest Operation,and Considerate Service”,our business mainly focus on the distribution of electronic components. Line cards we deal with include Microchip,ALPS,ROHM,Xilinx,Pulse,ON,Everlight and Freescale. Main products comprise IC,Modules,Potentiometer,IC Socket,Relay,Connector.Our parts cover such applications as commercial,industrial, and automotives areas.

We are looking forward to setting up business relationship with you and hope to provide you with the best service and solution. Let us make a better world for our industry!



Contact us

Tel: +86-755-8981 8866 Fax: +86-755-8427 6832

Email & Skype: info@chipsmall.com Web: www.chipsmall.com

Address: A1208, Overseas Decoration Building, #122 Zhenhua RD., Futian, Shenzhen, China



1

2

3

4

5

6

7

A

A

B

B

C

C

D

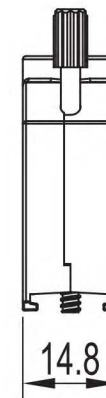
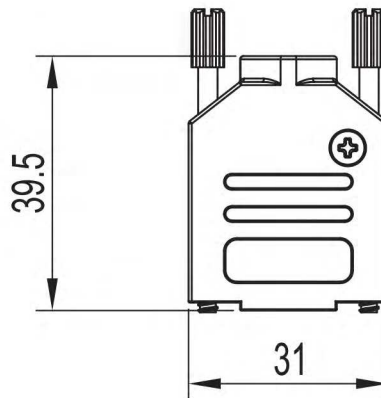
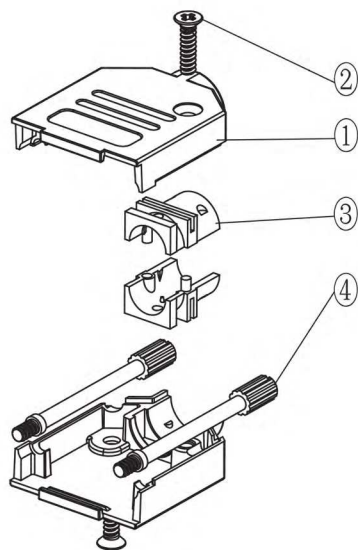
D

E

E

F

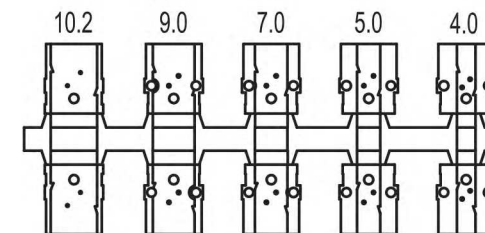
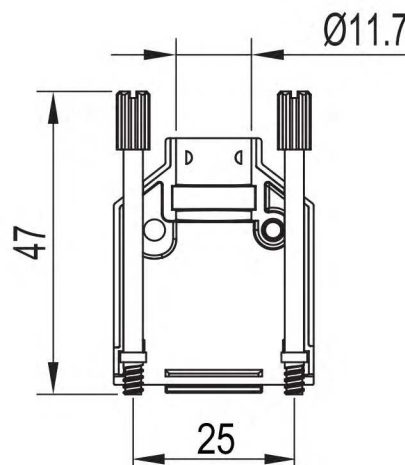
F



TECHNICAL SPECIFICATIONS

Material: Zinc
 Surface/Colour: Black
 Operating Temperature: -40°C to +120°C
 Thumbscrews: UNC 4-40


No. of contacts: 09-15-25-37



Grommet Set

Item	QTY	Part description
1	2	Hood halves
2	2	M3x12 CSK Screw
3	1	Grommet Set
4	2	Thumbscrews UNC4-40 x 47mm

RoHS compliant
 Unit: mm

Scale	Free				Date	Name	Customer-No.	
TOLERANCE					Drawn	17.08.2017	S.Bölling	
0~6	±0.10				Approved	17.08.2017	S.Bölling	
6~30	±0.20							
30~120	±0.30							
120~400	±0.50							
DIM	Tol							
Angle	±1°	Ⓢ	Drawn	17.08.2017				S.Bölling
Angle	Tol	Id.	Modification	Date				Name

Customer-No.
 ASSMANN WSW-No.
ACOV-SUB-09MB24

Drawing-No.
ASS_5265_CO rev00
 Replace
 Sheet 1/4

1

2

3

4

5

6

7

SV4382

1

2

3

4

5

6

7

A

A

B

B

C

C

D

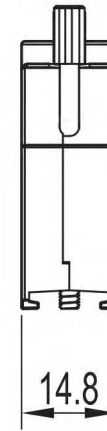
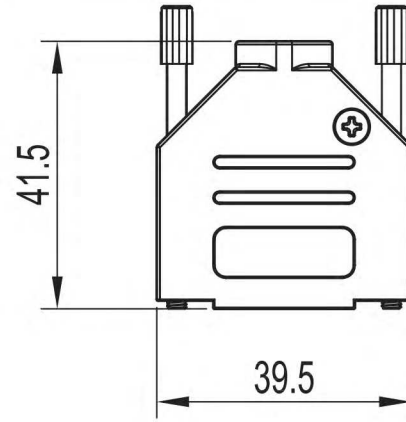
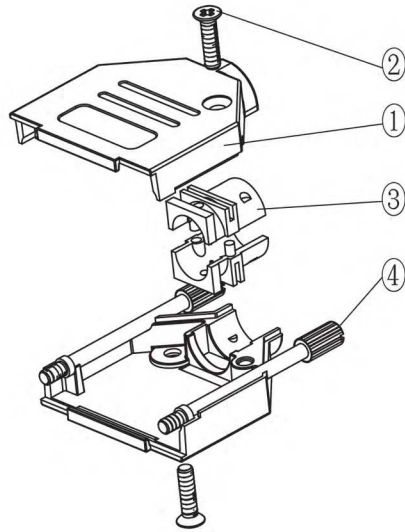
D

E

E

F

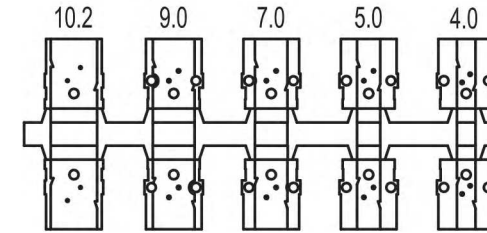
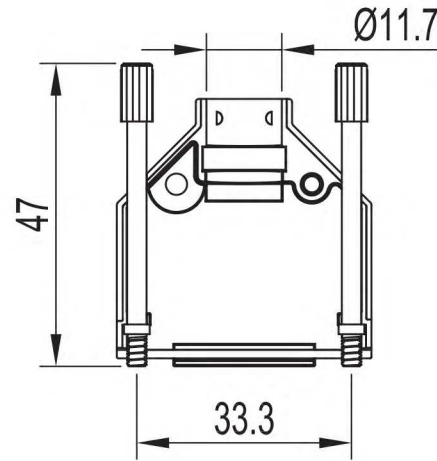
F



TECHNICAL SPECIFICATIONS

Material: Zinc
 Surface/Colour: Black
 Operating Temperature: -40°C to +120°C
 Thumbscrews: UNC 4-40

No. of contacts: 09-15-25-37



Grommet Set

Item	QTY	Part description
1	2	Hood halves
2	2	M3x12 CSK CSK Screw
3	1	Grommet Set
4	2	Thumbscrews UNC4-40 x 47mm

RoHS compliant

Unit: mm

Scale	Free				Date	Name	Customer-No.	
TOLERANCE					Drawn	17.08.2017	S.Bölling	
0~6	±0.10				Approved	17.08.2017	S.Bölling	
6~30	±0.20							
30~120	±0.30							
120~400	±0.50							
DIM	Tol							
Angle	±1°	Ⓢ	Drawn	17.08.2017				S.Bölling
Angle	Tol	Id.	Modification	Date				Name

Customer-No.
 ASSMANN WSW-No.
ACOV-SUB-15MB24

Drawing-No.
ASS_5265_CO rev00
 Replace Sheet 2/4

1

2

3

4

5

6

7

H

H

1

2

3

4

5

6

7

A

A

B

B

C

C

D

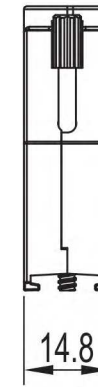
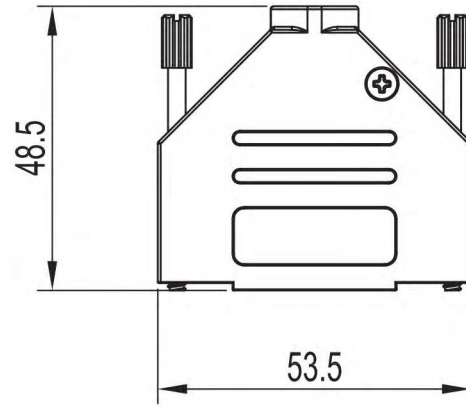
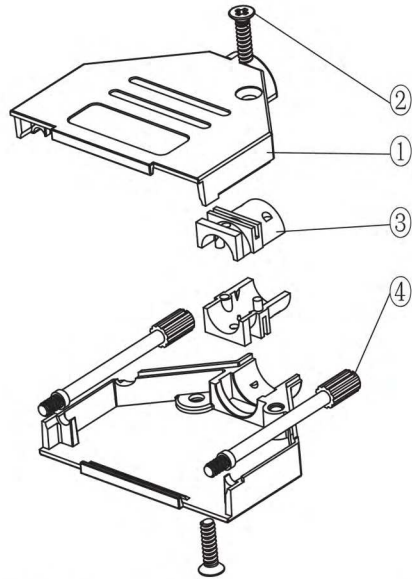
D

E

E

F

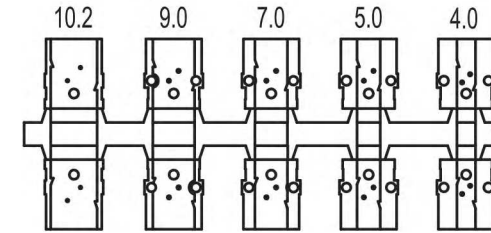
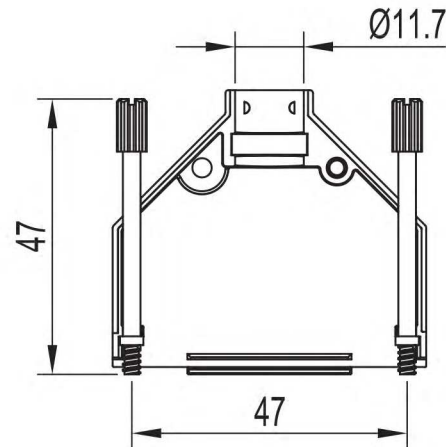
F



TECHNICAL SPECIFICATIONS

Material: Zinc
 Surface/Colour: Black
 Operating Temperature: -40°C to +120°C
 Thumbscrews: UNC 4-40

No. of contacts: 09-15-25-37



Grommet Set

Item	QTY	Part description
1	2	Hood halves
2	2	M3x12 CSK Screw
3	1	Grommet Set
4	2	Thumbscrews UNC4-40 x 47mm

RoHS compliant
 Unit: mm

Scale	Free				Date	Name	Customer-No.	
TOLERANCE					Drawn	17.08.2017	S.Bölling	
0~6	±0.10				Approved	17.08.2017	S.Bölling	
6~30	±0.20							
30~120	±0.30							
120~400	±0.50							
DIM	Tol							
Angle	±1°	Ⓢ	Drawn	17.08.2017				S.Bölling
Angle	Tol	Id.	Modification	Date				Name

Customer-No.
 ASSMANN WSW-No.
ACOV-SUB-25MB24

Drawing-No.
ASS_5265_CO rev00
 Replace
 Sheet 3/4

1

2

3

4

5

6

7

SV4382

1

2

3

4

5

6

7

A

A

B

B

C

C

D

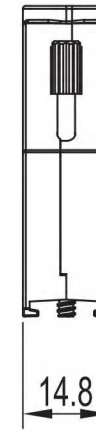
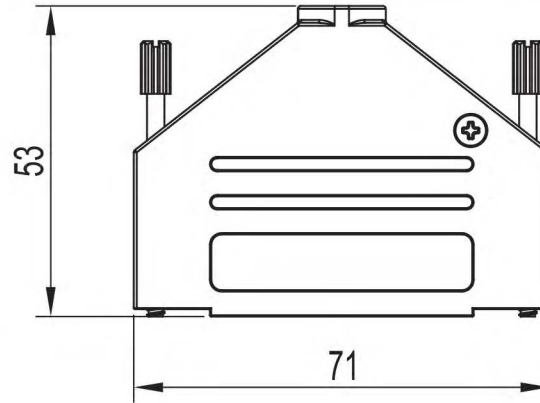
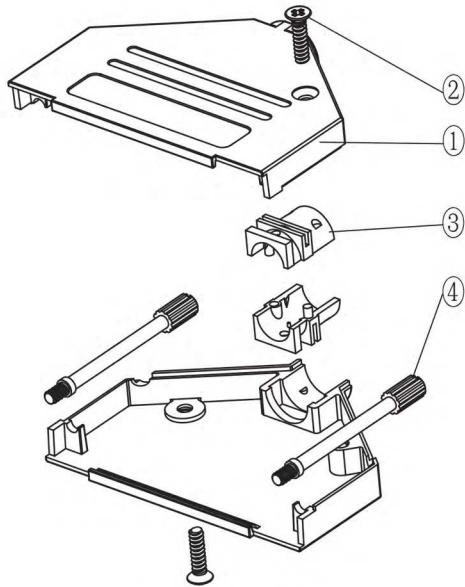
D

E

E

F

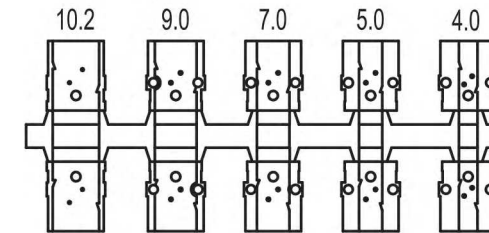
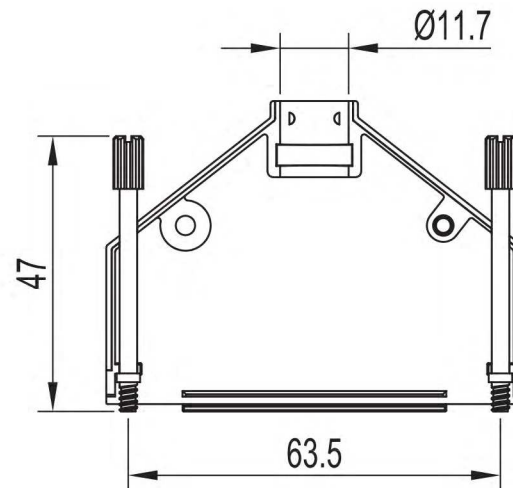
F



TECHNICAL SPECIFICATIONS

Material: Zinc
 Surface/Colour: Black
 Operating Temperature: -40°C to +120°C
 Thumbscrews: UNC 4-40

No. of contacts: 09-15-25-37



Grommet Set

Item	QTY	Part description
1	2	Hood halves
2	2	M3x12 CSK Screw
3	1	Grommet Set
4	2	Thumbscrews UNC4-40 x 47mm

RoHS compliant
 Unit: mm

Scale	Free				Date	Name	Customer-No.	
TOLERANCE					Drawn	17.08.2017	S.Bölling	
0~6	±0.10				Approved	17.08.2017	S.Bölling	
6~30	±0.20							
30~120	±0.30							
120~400	±0.50							
DIM	Tol							
Angle	±1°	Ⓢ	Drawn	17.08.2017				S.Bölling
Angle	Tol	Id.	Modification	Date				Name

Customer-No.

ASSMANN WSW-No.
ACOV-SUB-37MB24

Drawing-No.

ASS_5265_CO

rev00

Replace

Sheet 4/4

H

H

1

2

3

4

5

6

7

SV4382