



Chipsmall Limited consists of a professional team with an average of over 10 year of expertise in the distribution of electronic components. Based in Hongkong, we have already established firm and mutual-benefit business relationships with customers from,Europe,America and south Asia,supplying obsolete and hard-to-find components to meet their specific needs.

With the principle of “Quality Parts,Customers Priority,Honest Operation,and Considerate Service”,our business mainly focus on the distribution of electronic components. Line cards we deal with include Microchip,ALPS,ROHM,Xilinx,Pulse,ON,Everlight and Freescale. Main products comprise IC,Modules,Potentiometer,IC Socket,Relay,Connector.Our parts cover such applications as commercial,industrial, and automotives areas.

We are looking forward to setting up business relationship with you and hope to provide you with the best service and solution. Let us make a better world for our industry!



## Contact us

Tel: +86-755-8981 8866 Fax: +86-755-8427 6832

Email & Skype: info@chipsmall.com Web: www.chipsmall.com

Address: A1208, Overseas Decoration Building, #122 Zhenhua RD., Futian, Shenzhen, China



1

2

3

4

5

6

7

A

B

C

D

E

F

A

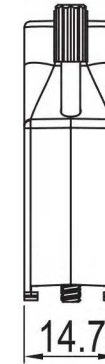
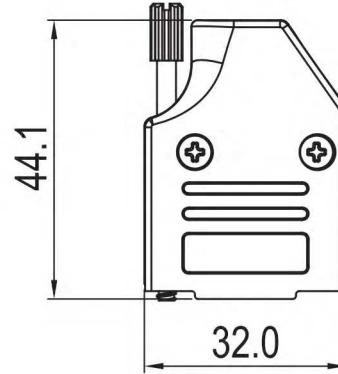
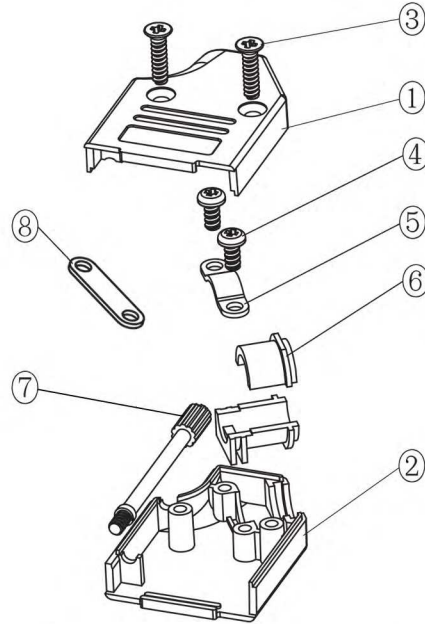
B

C

D

E

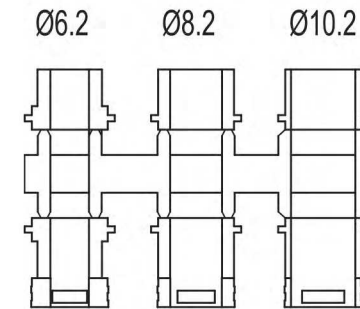
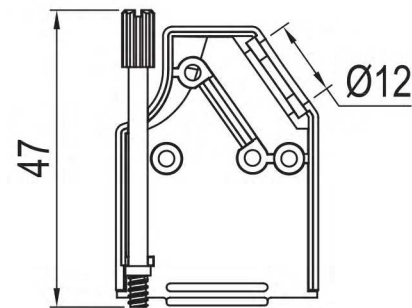
F



#### TECHNICAL SPECIFICATIONS

Material: Zinc  
 Plating: Nickel  
 Operating Temperature: -25°C to +90°C  
 Jackscrews: UNC 4-40

No. of contacts: 09-15-25-37



Grommet Set

Item	QTY	Part description
1	1	Upper Cover
2	1	Lower Cover
3	2	M3x12 CSK Screw
4	2	M3x6 Screw
5	1	Clamp-Rounded
6	1	Grommet Set
7	1	Thumbscrew UNC4-40x47
8	1	Clamp-Flat

**RoHS compliant**  
 Unit: mm

Scale	Free				Date	Name	Customer-No.	
TOLERANCE					Drawn	17.08.2017	S.Bölling	
0~6	±0.10				Approved	17.08.2017	S.Bölling	
6~30	±0.20							
30~120	±0.30							
120~400	±0.50							
DIM	Tol							
Angle	±1°	Ⓢ	Drawn	17.08.2017				S.Bölling
Angle	Tol	Id.	Modification	Date				Name

Customer-No.  
 ASSMANN WSW-No.  
**ACOV-SUB-09MB27**

Drawing-No.  
**ASS\_5268\_CO** rev00  
 Replace  
 Sheet 1/4

1

2

3

4

5

6

7

SV4382

1

2

3

4

5

6

7

A

B

C

D

E

F

A

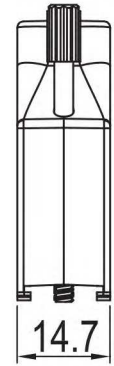
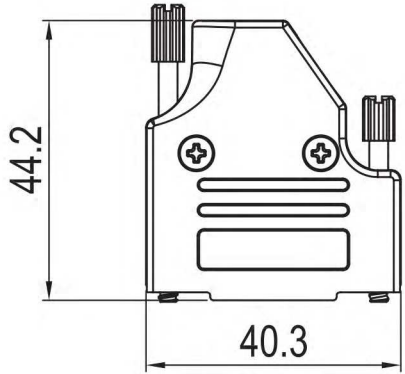
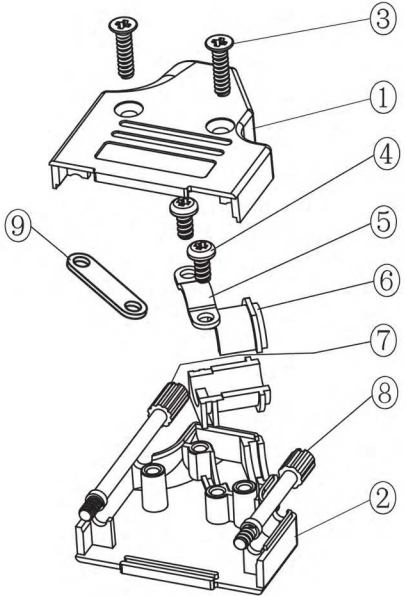
B

C

D

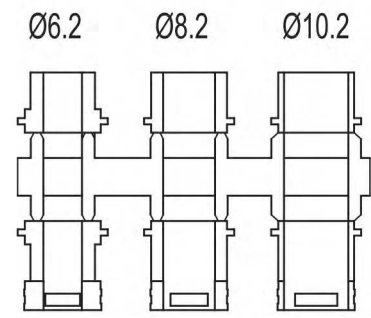
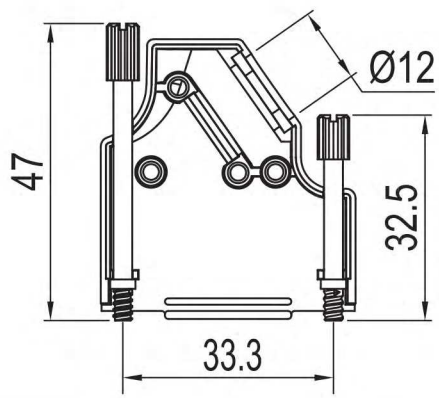
E

F



TECHNICAL SPECIFICATIONS

Material: Zinc  
 Plating: Nickel  
 Operating Temperature: -25°C to +90°C  
 Jackscrews: UNC 4-40  
 No. of contacts: 09-15-25-37



Grommet Set

Item	QTY	Part description
1	1	Upper Cover
2	1	Lower Cover
3	2	M3x12 CSK Screw
4	2	M3x6 Screw
5	1	Clamp-Rounded
6	1	Grommet Set
7	1	Thumbscrew UNC4-40x47
8	1	Thumbscrew UNC4-40x32.5
9	1	Clamp-Flat

RoHS compliant

Unit: mm

Scale	Free				Date	Name	Customer-No.	
TOLERANCE					Drawn	17.08.2017	S.Bölling	
0~6	±0.10				Approved	17.08.2017	S.Bölling	
6~30	±0.20							
30~120	±0.30							
120~400	±0.50							
DIM	Tol							
Angle	±1°	Ⓢ	Drawn	17.08.2017				S.Bölling
Angle	Tol	Id.	Modification	Date				Name

Customer-No.  
 ASSMANN WSW-No.  
**ACOV-SUB-15MB27**

Drawing-No.  
**ASS\_5268\_CO** rev00  
 Replace Sheet 2/4

1

2

3

4

5

6

7

1

2

3

4

5

6

7

A

B

C

D

E

F

A

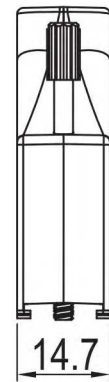
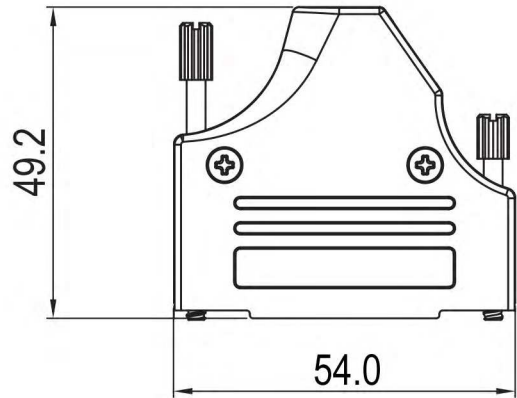
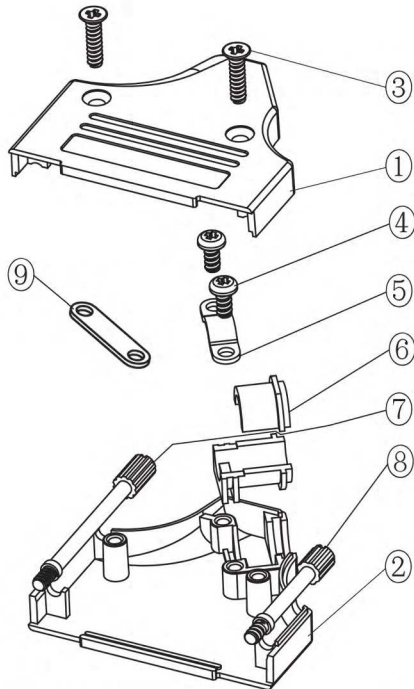
B

C

D

E

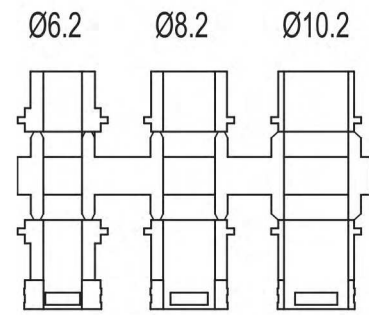
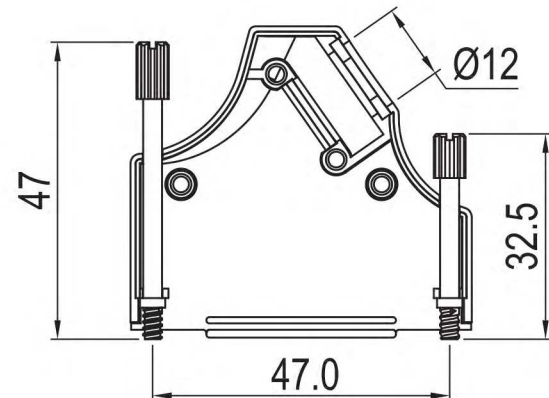
F



TECHNICAL SPECIFICATIONS

Material: Zinc  
 Plating: Nickel  
 Operating Temperature: -25°C to +90°C  
 Jackscrews: UNC 4-40

No. of contacts: 09-15-25-37



Grommet Set

Item	QTY	Part description
1	1	Upper Cover
2	1	Lower Cover
3	2	M3x12 CSK Screw
4	2	M3x6 Screw
5	1	Clamp-Rounded
6	1	Grommet Set
7	1	Thumbscrew UNC4-40x47
8	1	Thumbscrew UNC4-40x32.5
9	1	Clamp-Flat

**RoHS compliant**  
 Unit: mm

Scale	Free				Date	Name	Customer-No.	
TOLERANCE					Drawn	17.08.2017	S.Bölling	
0~6	±0.10				Approved	17.08.2017	S.Bölling	
6~30	±0.20							
30~120	±0.30							
120~400	±0.50							
DIM	Tol							
Angle	±1°	Ⓢ	Drawn	17.08.2017				S.Bölling
Angle	Tol	Id.	Modification	Date				Name

Customer-No.  
 ASSMANN WSW-No.  
**ACOV-SUB-25MB27**

Drawing-No.  
**ASS\_5268\_CO** rev00  
 Replace Sheet 3/4

1

2

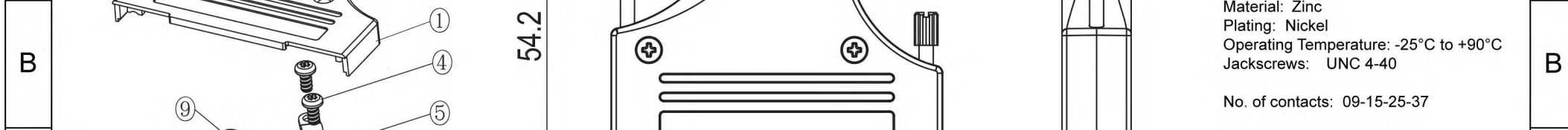
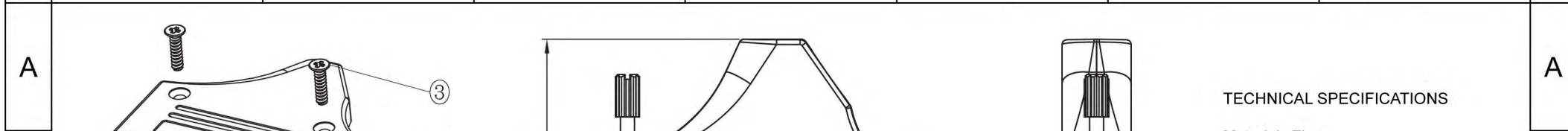
3

4

5

6

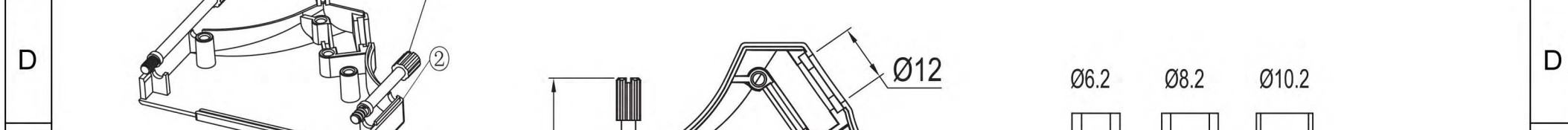
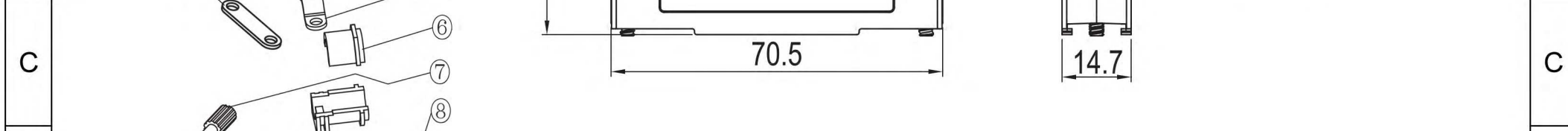
7



TECHNICAL SPECIFICATIONS

Material: Zinc  
 Plating: Nickel  
 Operating Temperature: -25°C to +90°C  
 Jackscrews: UNC 4-40

No. of contacts: 09-15-25-37



Grommet Set

Item	QTY	Part description
1	1	Upper Cover
2	1	Lower Cover
3	2	M3x12 CSK Screw
4	2	M3x6 Screw
5	1	Clamp-Rounded
6	1	Grommet Set
7	1	Thumbscrew UNC4-40x47
8	1	Thumbscrew UNC4-40x32.5
9	1	Clamp-Flat

G	RoHS compliant Unit: mm	Scale	Free				Date	Name	Customer-No.	
		TOLERANCE					Drawn	17.08.2017	S.Bölling	ASSMANN WSW-No. <b>ACOV-SUB-37MB27</b>
		0~6	±0.10				Approved	17.08.2017	S.Bölling	
6~30	±0.20									
H		30~120	±0.30						Drawing-No.	
		120~400	±0.50						<b>ASS_5268_CO</b>	
		DIM	Tol	Ⓞ	Drawn	17.08.2017	S.Bölling	<b>ASSMANN</b>		
		Angle	±1°					<b>WSW components</b>		
		Angle	Tol	Id.	Modification	Date	Name	Replace	rev00	