



Chipsmall Limited consists of a professional team with an average of over 10 year of expertise in the distribution of electronic components. Based in Hongkong, we have already established firm and mutual-benefit business relationships with customers from,Europe,America and south Asia,supplying obsolete and hard-to-find components to meet their specific needs.

With the principle of “Quality Parts,Customers Priority,Honest Operation,and Considerate Service”,our business mainly focus on the distribution of electronic components. Line cards we deal with include Microchip,ALPS,ROHM,Xilinx,Pulse,ON,Everlight and Freescale. Main products comprise IC,Modules,Potentiometer,IC Socket,Relay,Connector.Our parts cover such applications as commercial,industrial, and automotives areas.

We are looking forward to setting up business relationship with you and hope to provide you with the best service and solution. Let us make a better world for our industry!



Contact us

Tel: +86-755-8981 8866 Fax: +86-755-8427 6832

Email & Skype: info@chipsmall.com Web: www.chipsmall.com

Address: A1208, Overseas Decoration Building, #122 Zhenhua RD., Futian, Shenzhen, China



1

2

3

4

5

6

7

A

B

C

D

E

F

A

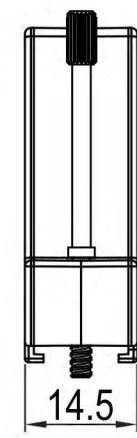
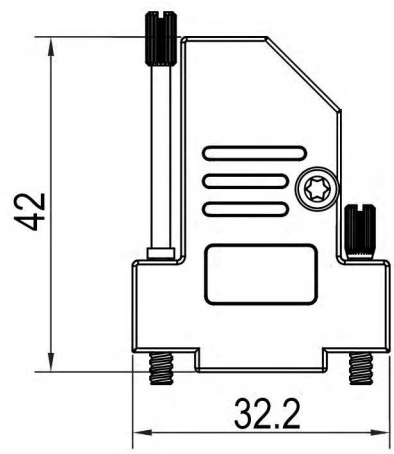
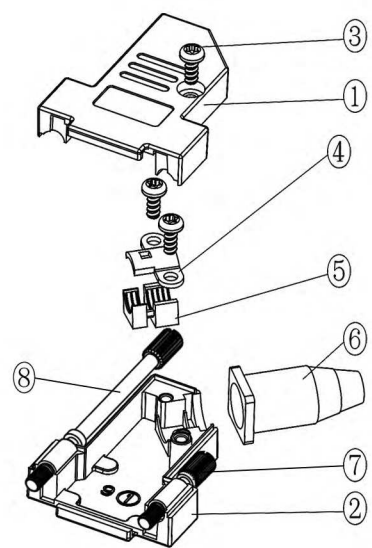
B

C

D

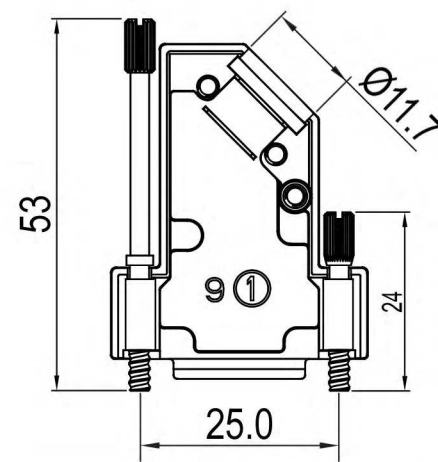
E

F



TECHNICAL SPECIFICATIONS

Material: Zinc
 Plating: Nickel
 Operating Temperature: -25°C to +90°C
 Thumbscrews: UNC4-40
 No. of contacts: 09-15-25-37



| Item | QTY | Part description |
|------|-----|-----------------------|
| 1 | 1 | Upper Cover |
| 2 | 1 | Lower Cover |
| 3 | 3 | TX M2.5x6 Screw |
| 4 | 1 | Cable Clamp |
| 5 | 1 | Plastic Insert |
| 6 | 1 | Rubber Grommet |
| 7 | 1 | Thumbscrew UNC4-40x24 |
| 8 | 1 | Thumbscrew UNC4-40x53 |

RoHS compliant

Unit: mm

| Scale | Free | | | | Date | Name | Customer-No. |
|-----------|-------|-----|--------------|------------|-----------|------------------------------------|--------------|
| TOLERANCE | | | | | Drawn | 17.08.2017 | S.Bölling |
| 0~6 | ±0.10 | | | | Approved | 17.08.2017 | S.Bölling |
| 6~30 | ±0.20 | | | | | | |
| 30~120 | ±0.30 | | | | | | |
| 120~400 | ±0.50 | | | | | | |
| DIM | Tol | | | | | | |
| Angle | ±1° | Ⓞ | Drawn | 17.08.2017 | S.Bölling | ASSMANN WSW-No. ACOV-SUB-09MB37 | |
| Angle | Tol | Id. | Modification | Date | Name | Drawing-No. ASS_5278_CO rev00 | |
| | | | | | | Replace Sheet 1/4 | |



1

2

3

4

5

6

7

1

2

3

4

5

6

7

A

B

C

D

E

F

A

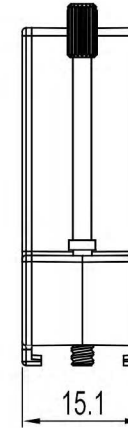
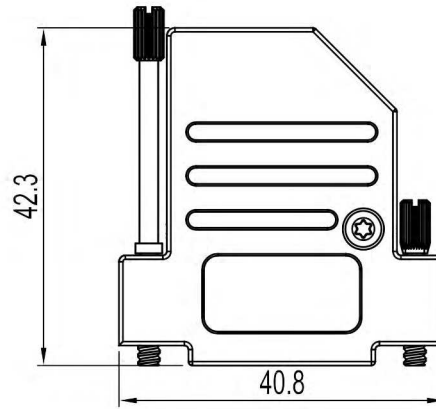
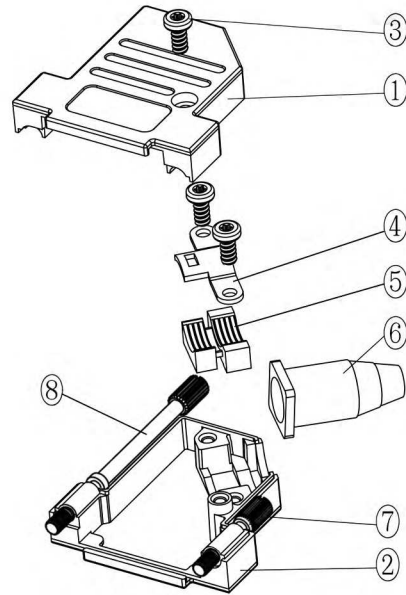
B

C

D

E

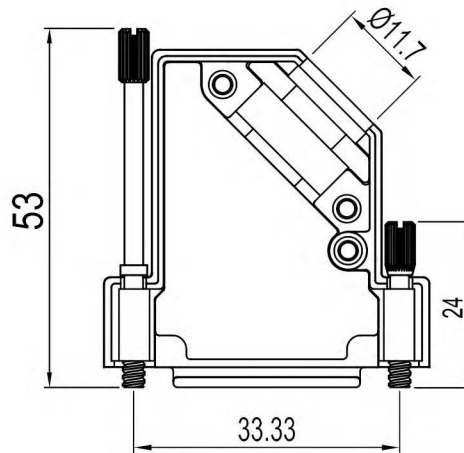
F



TECHNICAL SPECIFICATIONS

Material: Zinc
 Plating: Nickel
 Operating Temperature: -25°C to +90°C
 Thumbscrews: UNC4-40

No. of contacts: 09-15-25-37



| Item | QTY | Part description |
|------|-----|-----------------------|
| 1 | 1 | Upper Cover |
| 2 | 1 | Lower Cover |
| 3 | 3 | TX M2.5x6 Screw |
| 4 | 1 | Cable Clamp |
| 5 | 1 | Plastic Insert |
| 6 | 1 | Rubber Grommet |
| 7 | 1 | Thumbscrew UNC4-40x24 |
| 8 | 1 | Thumbscrew UNC4-40x53 |

RoHS compliant

Unit: mm

| Scale | Free | | | | Date | Name | Customer-No. | |
|-----------|-------|-----|--------------|------------|----------|------------|--------------|-----------|
| TOLERANCE | | | | | Drawn | 17.08.2017 | S.Bölling | |
| 0~6 | ±0.10 | | | | Approved | 17.08.2017 | S.Bölling | |
| 6~30 | ±0.20 | | | | | | | |
| 30~120 | ±0.30 | | | | | | | |
| 120~400 | ±0.50 | | | | | | | |
| DIM | Tol | | | | | | | |
| Angle | ±1° | Ⓞ | Drawn | 17.08.2017 | | | | S.Bölling |
| Angle | Tol | Id. | Modification | Date | | | | Name |

Customer-No.
 ASSMANN WSW-No.
ACOV-SUB-15MB37

Drawing-No.
ASS_5278_CO rev00
 Replace Sheet 2/4

1

2

3

4

5

6

7

1

2

3

4

5

6

7

A

A

B

B

C

C

D

D

E

E

F

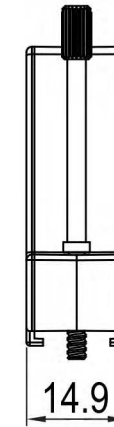
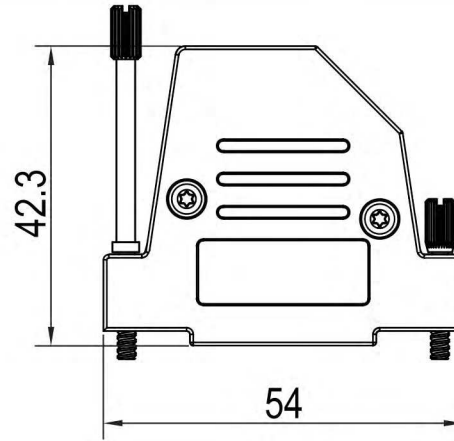
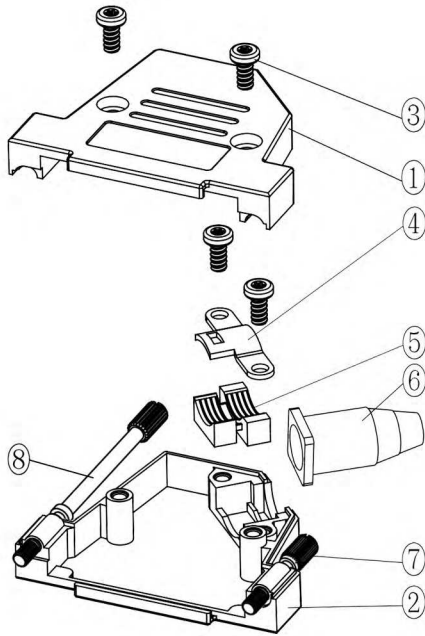
F

G

G

H

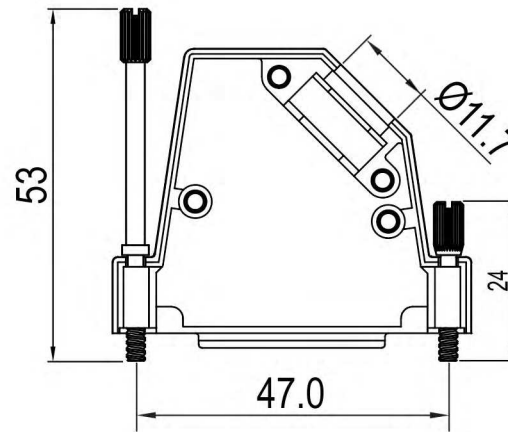
H



TECHNICAL SPECIFICATIONS

Material: Zinc
 Plating: Nickel
 Operating Temperature: -25°C to +90°C
 Thumbscrews: UNC4-40

No. of contacts: 09-15-25-37



| Item | QTY | Part description |
|------|-----|-----------------------|
| 1 | 1 | Upper Cover |
| 2 | 1 | Lower Cover |
| 3 | 4 | TX M2.5x6 Screw |
| 4 | 1 | Cable Clamp |
| 5 | 1 | Plastic Insert |
| 6 | 1 | Rubber Grommet |
| 7 | 1 | Thumbscrew UNC4-40x24 |
| 8 | 1 | Thumbscrew UNC4-40x53 |

RoHS compliant
 Unit: mm

| Scale | Free | | | | Date | Name | Customer-No. |
|-----------|-------|-----|--------------|------------|-----------|---|--------------|
| TOLERANCE | | | | | Drawn | 17.08.2017 | S.Bölling |
| 0~6 | ±0.10 | | | | Approved | 17.08.2017 | S.Bölling |
| 6~30 | ±0.20 | | | | | | |
| 30~120 | ±0.30 | | | | | | |
| 120~400 | ±0.50 | | | | | | |
| DIM | Tol | | | | | | |
| Angle | ±1° | Ⓞ | Drawn | 17.08.2017 | S.Bölling | ASSMANN WSW components | |
| Angle | Tol | Id. | Modification | Date | Name | | |

Customer-No.
 ASSMANN WSW-No.
ACOV-SUB-25MB37

Drawing-No.
ASS_5278_CO rev00
 Replace
 Sheet 3/4

1

2

3

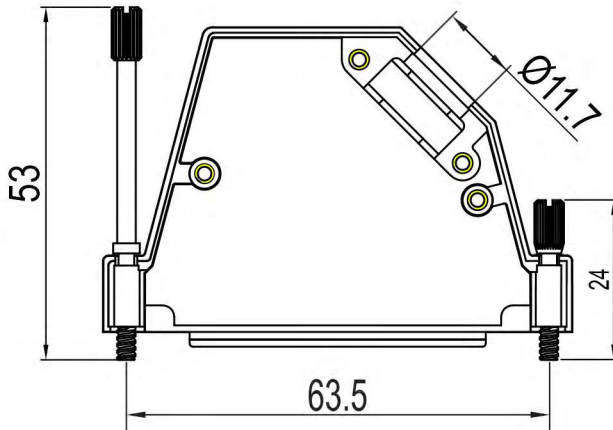
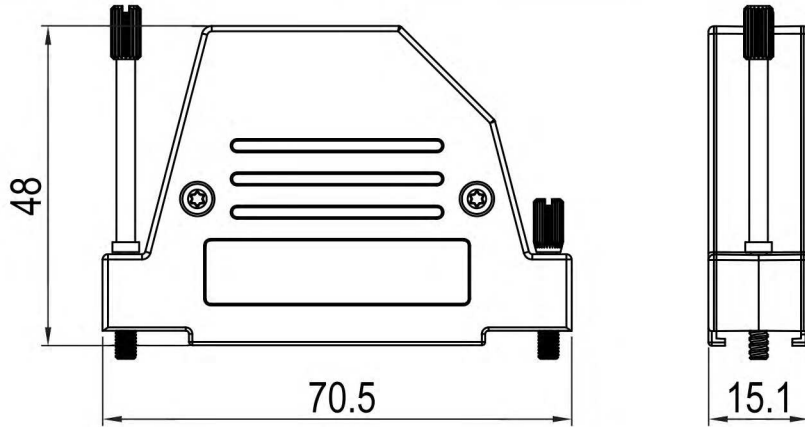
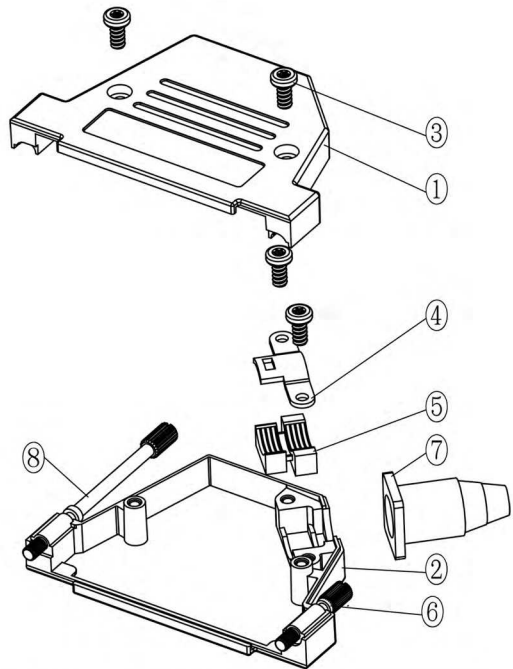
4

5

6

7

SV4382



TECHNICAL SPECIFICATIONS

Material: Zinc
 Plating: Nickel
 Operating Temperature: -25°C to +90°C
 Thumbscrews: UNC 4-40

No. of contacts: 09-15-25-37

| Item | QTY | Part description |
|------|-----|-----------------------|
| 1 | 1 | Upper Cover |
| 2 | 1 | Lower Cover |
| 3 | 4 | TX M2.5x6 Screw |
| 4 | 1 | Cable Clamp |
| 5 | 1 | Plastic Insert |
| 6 | 1 | Thumbscrew UNC4-40x24 |
| 7 | 1 | Rubber Grommet |
| 8 | 1 | Thumbscrew UNC4-40x53 |

RoHS compliant
 Unit: mm

| Scale | Free | | | | Date | Name | Customer-No. | |
|-----------|-------|-----|--------------|------------|----------|------------|--------------|-----------|
| TOLERANCE | | | | | Drawn | 17.08.2017 | S.Bölling | |
| 0~6 | ±0.10 | | | | Approved | 17.08.2017 | S.Bölling | |
| 6~30 | ±0.20 | | | | | | | |
| 30~120 | ±0.30 | | | | | | | |
| 120~400 | ±0.50 | | | | | | | |
| DIM | Tol | | | | | | | |
| Angle | ±1° | ⓐ | Drawn | 17.08.2017 | | | | S.Bölling |
| Angle | Tol | Id. | Modification | Date | | | | Name |

Customer-No.
 ASSMANN WSW-No.
ACOV-SUB-37MB37

Drawing-No.
ASS_5278_CO rev00
 Replace Sheet 4/4