



Chipsmall Limited consists of a professional team with an average of over 10 year of expertise in the distribution of electronic components. Based in Hongkong, we have already established firm and mutual-benefit business relationships with customers from,Europe,America and south Asia,supplying obsolete and hard-to-find components to meet their specific needs.

With the principle of “Quality Parts,Customers Priority,Honest Operation,and Considerate Service”,our business mainly focus on the distribution of electronic components. Line cards we deal with include Microchip,ALPS,ROHM,Xilinx,Pulse,ON,Everlight and Freescale. Main products comprise IC,Modules,Potentiometer,IC Socket,Relay,Connector.Our parts cover such applications as commercial,industrial, and automotives areas.

We are looking forward to setting up business relationship with you and hope to provide you with the best service and solution. Let us make a better world for our industry!



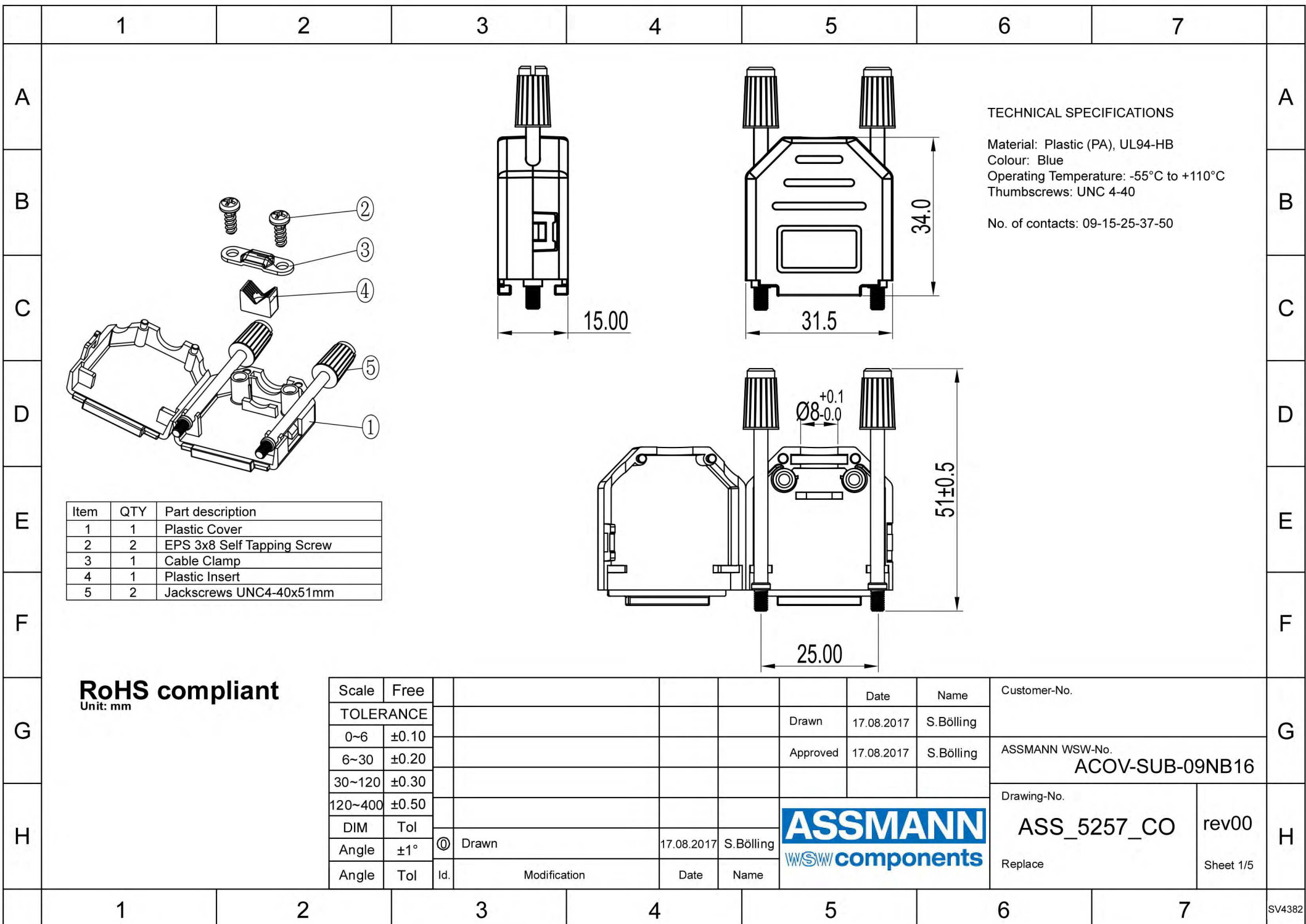
## Contact us

Tel: +86-755-8981 8866 Fax: +86-755-8427 6832

Email & Skype: info@chipsmall.com Web: www.chipsmall.com

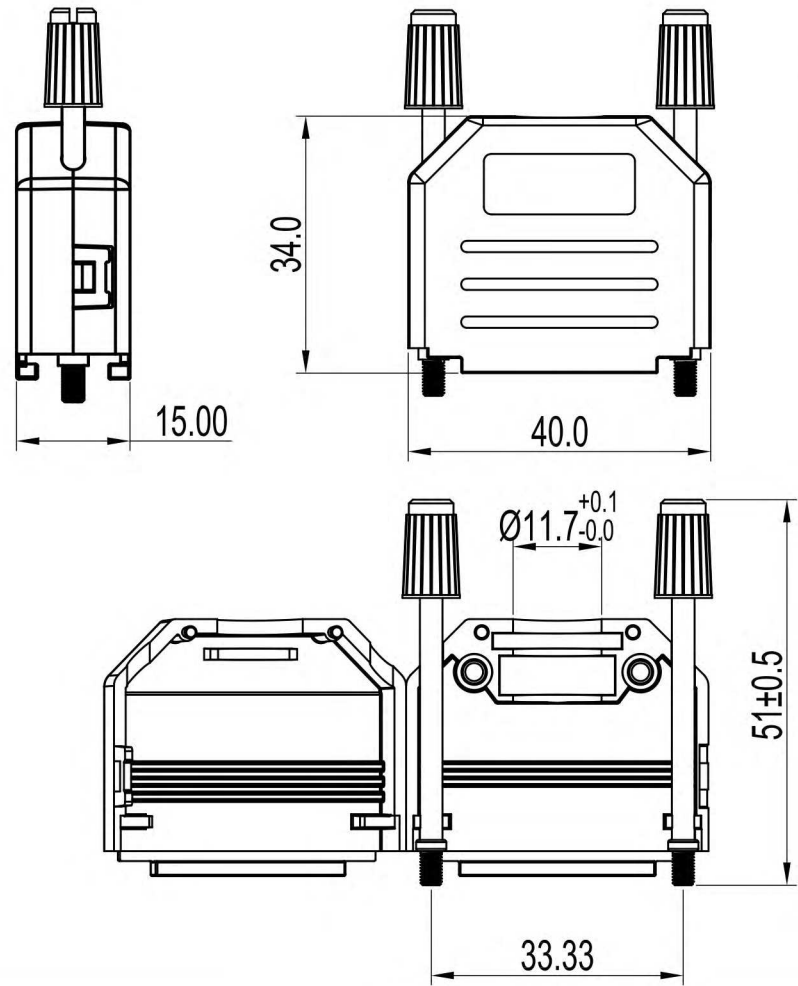
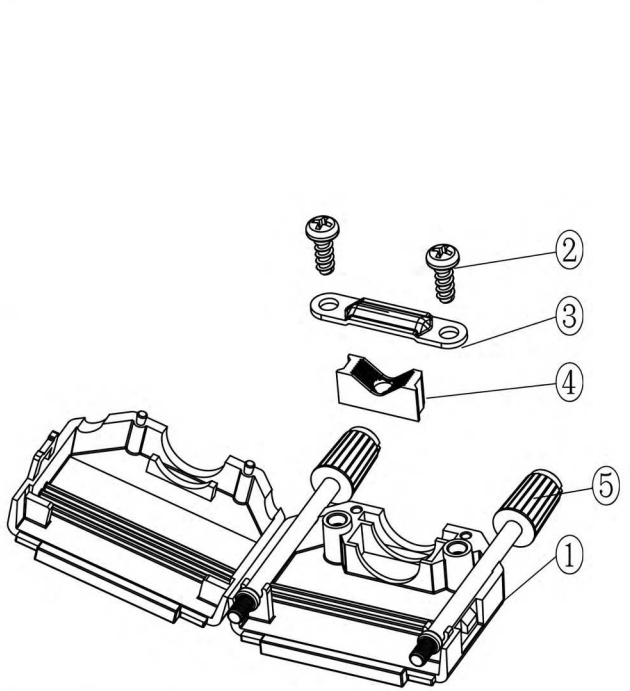
Address: A1208, Overseas Decoration Building, #122 Zhenhua RD., Futian, Shenzhen, China





A  
B  
C  
D  
E  
F  
G  
H

A  
B  
C  
D  
E  
F  
G  
H



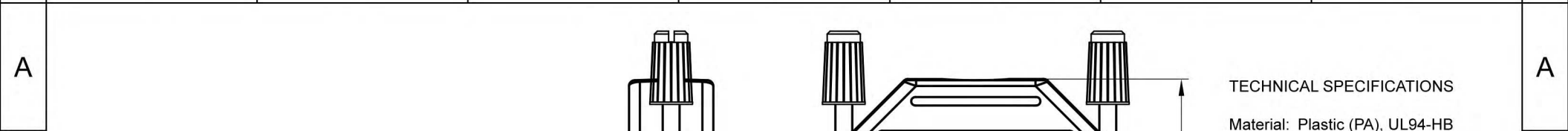
**TECHNICAL SPECIFICATIONS**  
 Material: Plastic (PA), UL94-HB  
 Colour: Blue  
 Operating Temperature: -55°C to +110°C  
 Thumbscrews: UNC 4-40  
 No. of contacts: 09-15-25-37-50

Item	QTY	Part description
1	1	Plastic Cover
2	2	EPS 3x8 Self Tapping Screw
3	1	Cable Clamp
4	1	Plastic Insert
5	2	Jackscrews UNC4-40x51mm

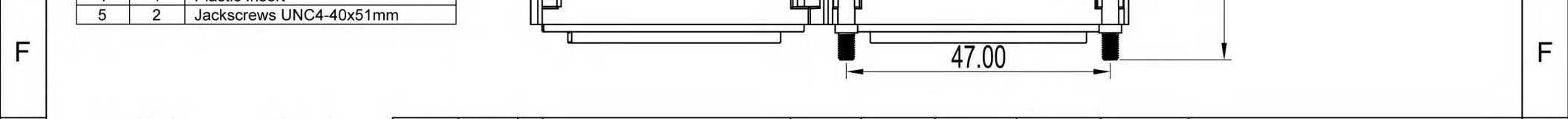
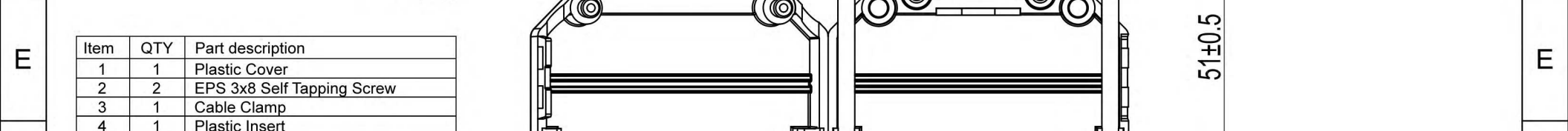
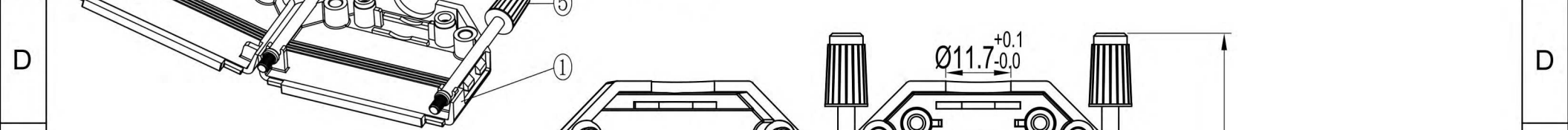
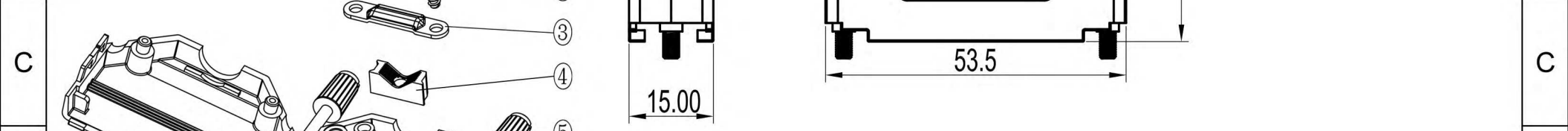
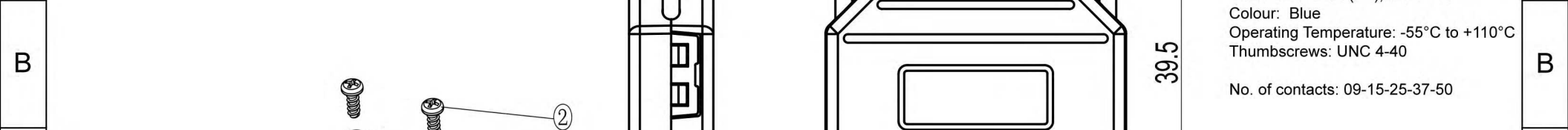
**RoHS compliant**  
 Unit: mm

Scale	Free				Date	Name	Customer-No.
TOLERANCE					Drawn	17.08.2017	S.Bölling
0~6	±0.10				Approved	17.08.2017	S.Bölling
6~30	±0.20						
30~120	±0.30						
120~400	±0.50						
DIM	Tol						
Angle	±1°	Ⓢ	Drawn	17.08.2017	S.Bölling	<b>ASSMANN</b> WSW components ASS_5257_CO rev00 Replace Sheet 2/5	
Angle	Tol	Id.	Modification	Date	Name		

1 2 3 4 5 6 7



**TECHNICAL SPECIFICATIONS**  
 Material: Plastic (PA), UL94-HB  
 Colour: Blue  
 Operating Temperature: -55°C to +110°C  
 Thumbscrews: UNC 4-40  
 No. of contacts: 09-15-25-37-50



Item	QTY	Part description
1	1	Plastic Cover
2	2	EPS 3x8 Self Tapping Screw
3	1	Cable Clamp
4	1	Plastic Insert
5	2	Jackscrews UNC4-40x51mm

G	RoHS compliant Unit: mm	Scale	Free				Date	Name	Customer-No.	
		TOLERANCE					Drawn	17.08.2017	S.Bölling	ASSMANN WSW-No. <b>ACOV-SUB-25NB16</b>
		0~6	±0.10				Approved	17.08.2017	S.Bölling	

H	DIM	Tol	ⓐ	Drawn	17.08.2017	S.Bölling		Drawing-No. <b>ASS_5257_CO</b> rev00 Replace	Sheet 3/5			
				Angle	±1°	ⓐ				Modification	Date	Name
				Angle	Tol	Id.						

1 2 3 4 5 6 7 SV4382

1

2

3

4

5

6

7

A

A

B

B

C

C

D

D

E

E

F

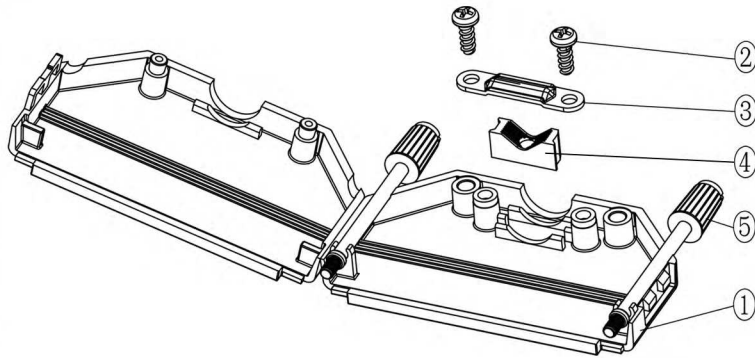
F

G

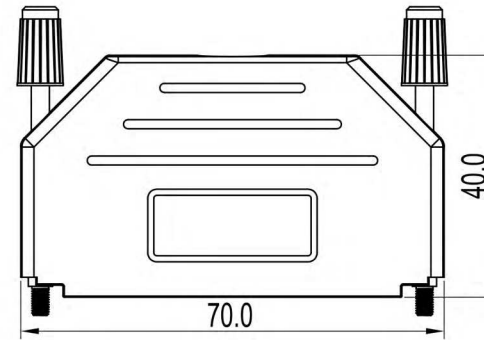
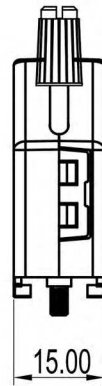
G

H

H



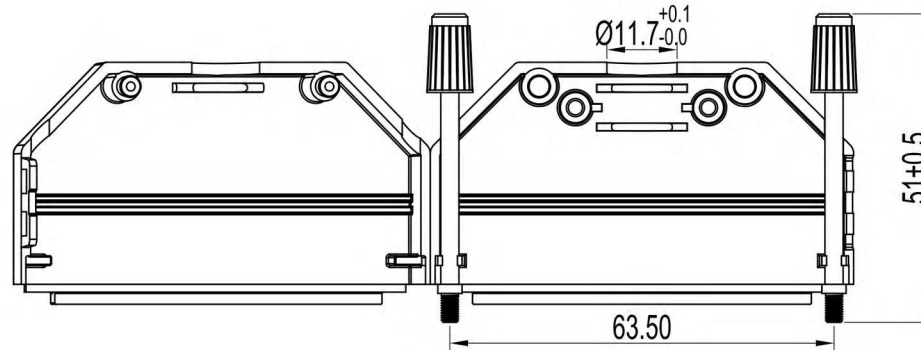
Item	QTY	Part description
1	1	Plastic Cover
2	2	EPS 3x8 Self Tapping Screw
3	1	Cable Clamp
4	1	Plastic Insert
5	2	Jackscrews UNC4-40x51mm



#### TECHNICAL SPECIFICATIONS

Material: Plastic (PA), UL94-HB  
 Colour: Blue  
 Operating Temperature: -55°C to +110°C  
 Thumbscrews: UNC 4-40

No. of contacts: 09-15-25-37-50



**RoHS compliant**  
 Unit: mm

Scale	Free				Date	Name	Customer-No.
TOLERANCE					Drawn	17.08.2017	S.Bölling
0~6	±0.10				Approved	17.08.2017	S.Bölling
6~30	±0.20						
30~120	±0.30						
120~400	±0.50						
DIM	Tol						
Angle	±1°	Ⓢ	Drawn	17.08.2017	S.Bölling	<b>ASSMANN</b> <b>WSW components</b>	
Angle	Tol	Id.	Modification	Date	Name		

Customer-No.  
 ASSMANN WSW-No.  
**ACOV-SUB-37NB16**

Drawing-No.  
**ASS\_5257\_CO** rev00  
 Replace  
 Sheet 4/5

1

2

3

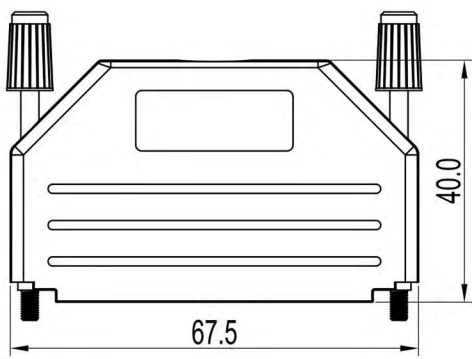
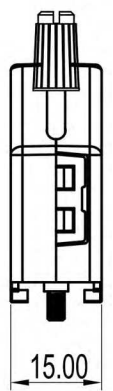
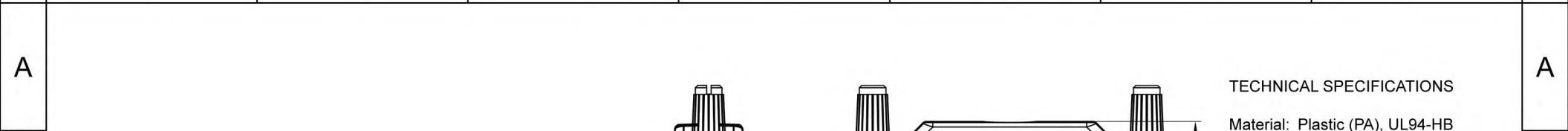
4

5

6

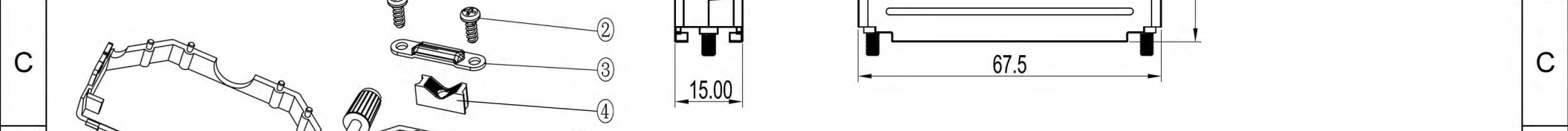
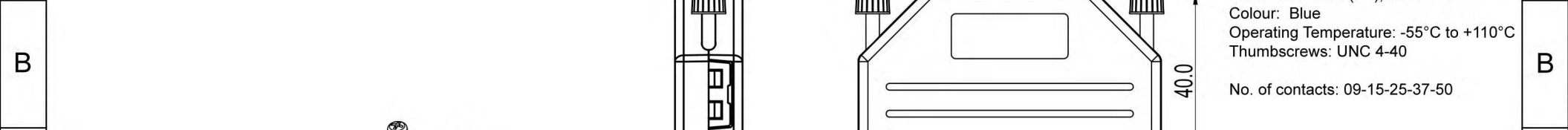
7

SV4382

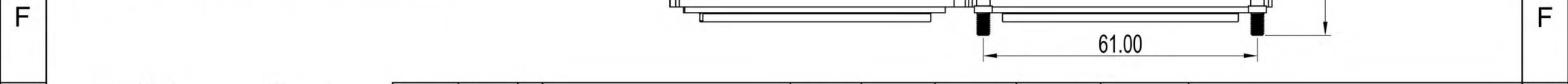
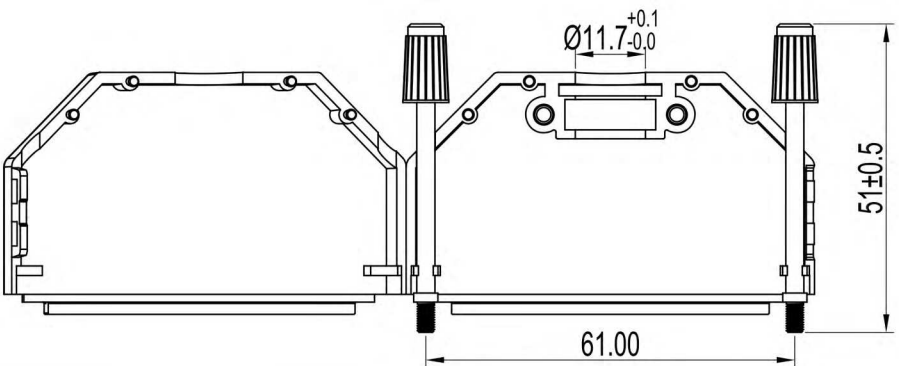


**TECHNICAL SPECIFICATIONS**

Material: Plastic (PA), UL94-HB  
 Colour: Blue  
 Operating Temperature: -55°C to +110°C  
 Thumbscrews: UNC 4-40  
 No. of contacts: 09-15-25-37-50



Item	QTY	Part description
1	1	Plastic Cover
2	2	EPS 3x8 Self Tapping Screw
3	1	Cable Clamp
4	1	Plastic Insert
5	2	Jackscrews UNC4-40x51mm



**RoHS compliant**  
 Unit: mm

Scale	Free	Date	Name	Customer-No.
TOLERANCE		Drawn	17.08.2017	S.Bölling
0~6	±0.10	Approved	17.08.2017	S.Bölling
6~30	±0.20			
30~120	±0.30			
120~400	±0.50			

DIM	Tol	Drawn	Date	Name	ASSMANN WSW-No.	Drawing-No.	Rev
Angle	±1°	Ⓢ	17.08.2017	S.Bölling	ACOV-SUB-50NB16	ASS_5257_CO	rev00
Angle	Tol	Id.	Modification	Date	Name	Replace	Sheet 5/5

