



Chipsmall Limited consists of a professional team with an average of over 10 year of expertise in the distribution of electronic components. Based in Hongkong, we have already established firm and mutual-benefit business relationships with customers from,Europe,America and south Asia,supplying obsolete and hard-to-find components to meet their specific needs.

With the principle of “Quality Parts,Customers Priority,Honest Operation,and Considerate Service”,our business mainly focus on the distribution of electronic components. Line cards we deal with include Microchip,ALPS,ROHM,Xilinx,Pulse,ON,Everlight and Freescale. Main products comprise IC,Modules,Potentiometer,IC Socket,Relay,Connector.Our parts cover such applications as commercial,industrial, and automotives areas.

We are looking forward to setting up business relationship with you and hope to provide you with the best service and solution. Let us make a better world for our industry!



Contact us

Tel: +86-755-8981 8866 Fax: +86-755-8427 6832

Email & Skype: info@chipsmall.com Web: www.chipsmall.com

Address: A1208, Overseas Decoration Building, #122 Zhenhua RD., Futian, Shenzhen, China



1

2

3

4

5

6

7

A

A

B

B

C

C

D

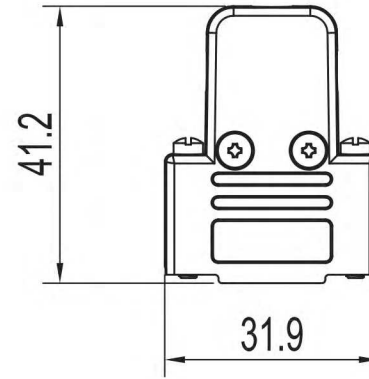
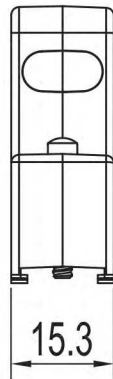
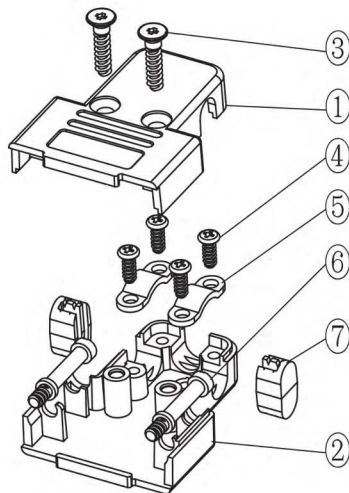
D

E

E

F

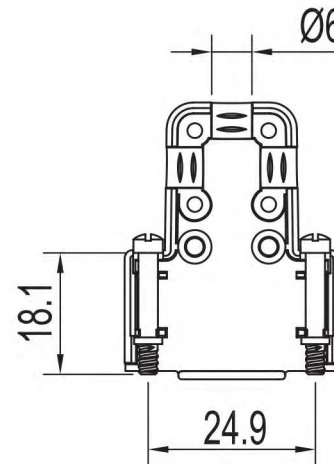
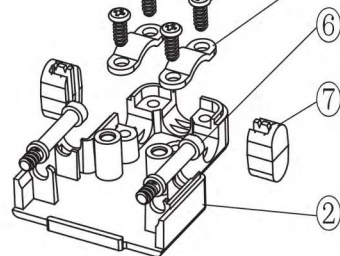
F



TECHNICAL SPECIFICATIONS

Material: ABS Plastic, UL94-HB
 Plating: Nickel over Copper
 Operating Temperature: -55°C to +110°C
 Thumbscrews: UNC 4-40

No. of contacts: 09-15-25-37



Item	QTY	Part description
1	1	Upper Half
2	1	Lower Half
3	2	ST2.9x13 Self Tapping Screw
4	4	ST2.9x6 Self Tapping Screw
5	2	Cable Clamp
6	2	Jackscrews UNC4-40 x 18.1mm
7	2	Metalized Blanker

RoHS compliant
 Unit: mm

Scale	Free				Date	Name	Customer-No.	
TOLERANCE					Drawn	17.08.2017	S.Bölling	
0~6	±0.10				Approved	17.08.2017	S.Bölling	
6~30	±0.20							
30~120	±0.30							
120~400	±0.50							
DIM	Tol							
Angle	±1°	Ⓢ	Drawn	17.08.2017				S.Bölling
Angle	Tol	Id.	Modification	Date				Name

Customer-No.

ASSMANN WSW-No.
ACOV-SUB-09MB20

Drawing-No.

ASS_5261_CO

rev00

Replace

Sheet 1/4

1

2

3

4

5

6

7

SV4382

1

2

3

4

5

6

7

A

A

B

B

C

C

D

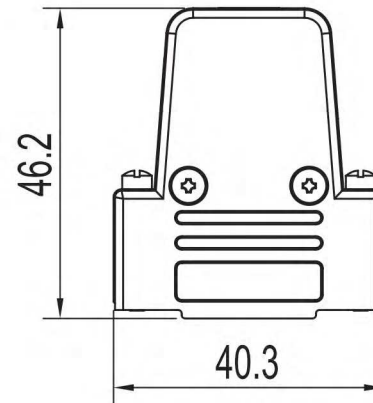
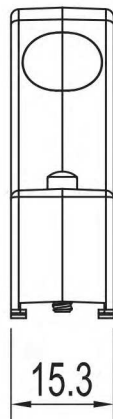
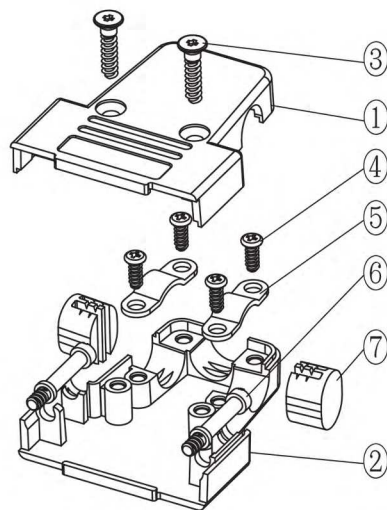
D

E

E

F

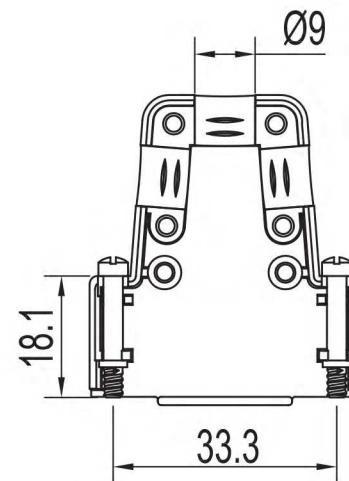
F



TECHNICAL SPECIFICATIONS

Material: ABS Plastic, UL94-HB
 Plating: Nickel over Copper
 Operating Temperature: -55°C to +110°C
 Thumbscrews: UNC 4-40

No. of contacts: 09-15-25-37



Item	QTY	Part description
1	1	Upper Half
2	1	Lower Half
3	2	ST2.9x13 Self Tapping Screw
4	4	ST2.9x6 Self Tapping Screw
5	2	Cable Clamp
6	2	Jackscrews UNC4-40 x 18.1mm
7	2	Metalized Blanker

RoHS compliant
 Unit: mm

Scale	Free				Date	Name	Customer-No.	
TOLERANCE					Drawn	17.08.2017	S.Bölling	
0~6	±0.10				Approved	17.08.2017	S.Bölling	
6~30	±0.20							
30~120	±0.30							
120~400	±0.50							
DIM	Tol							
Angle	±1°	Ⓢ	Drawn	17.08.2017				S.Bölling
Angle	Tol	Id.	Modification	Date				Name

Customer-No.
 ASSMANN WSW-No.
ACOV-SUB-15MB20

Drawing-No.
ASS_5261_CO rev00
 Replace
 Sheet 2/4

1

2

3

4

5

6

7

SV4382

1

2

3

4

5

6

7

A

A

B

B

C

C

D

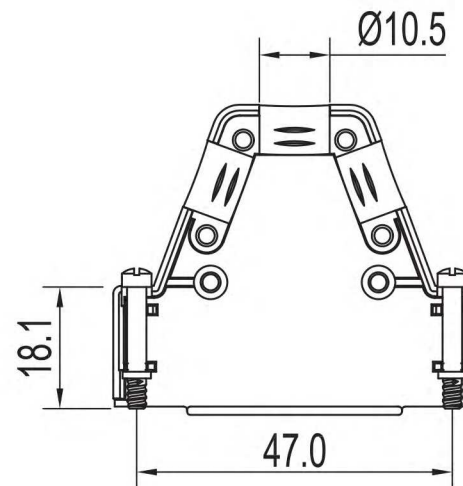
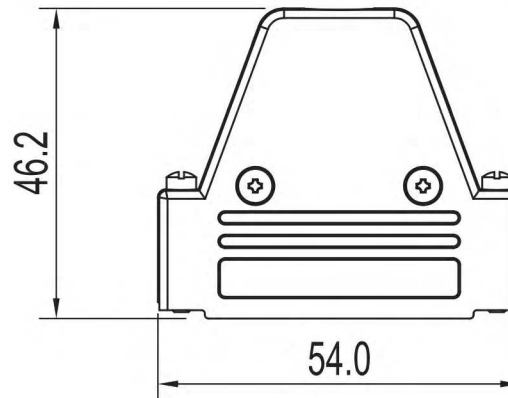
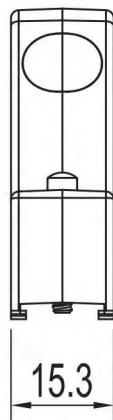
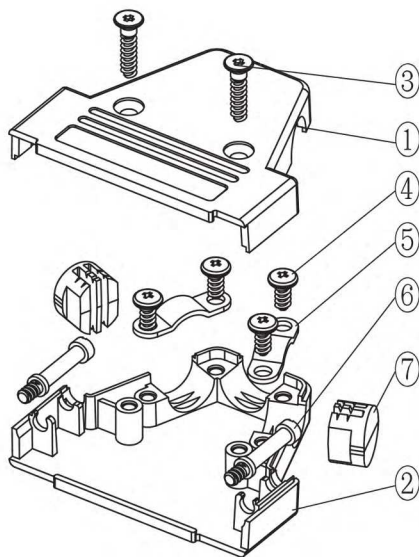
D

E

E

F

F



TECHNICAL SPECIFICATIONS

Material: ABS Plastic, UL94-HB
 Plating: Nickel over Copper
 Operating Temperature: -55°C to +110°C
 Thumbscrews: UNC 4-40

No. of contacts: 09-15-25-37

Item	QTY	Part description
1	1	Upper Half
2	1	Lower Half
3	2	ST2.9x13 Self Tapping Screw
4	4	ST2.9x6 Self Tapping Screw
5	2	Cable Clamp
6	2	Jackscrews UNC4-40 x 18.1mm
7	2	Metalized Blanker

RoHS compliant
 Unit: mm

Scale	Free				Date	Name	Customer-No.	
TOLERANCE					Drawn	17.08.2017	S.Bölling	
0~6	±0.10				Approved	17.08.2017	S.Bölling	
6~30	±0.20							
30~120	±0.30							
120~400	±0.50							
DIM	Tol							
Angle	±1°	Ⓢ	Drawn	17.08.2017				S.Bölling
Angle	Tol	Id.	Modification	Date				Name

Customer-No.
 ASSMANN WSW-No.
ACOV-SUB-25MB20

Drawing-No.
ASS_5261_CO rev00
 Replace
 Sheet 3/4

1

2

3

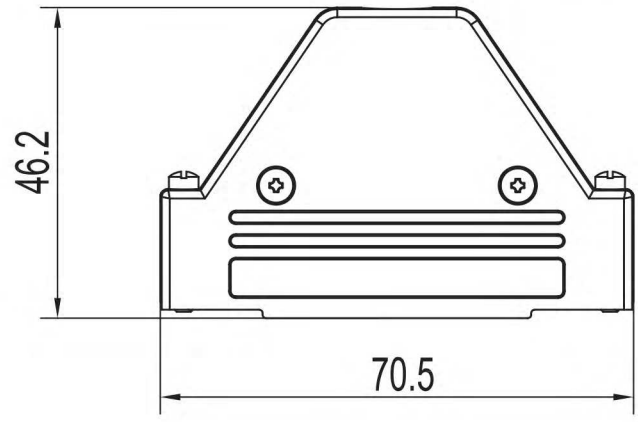
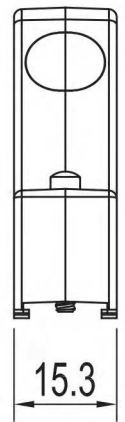
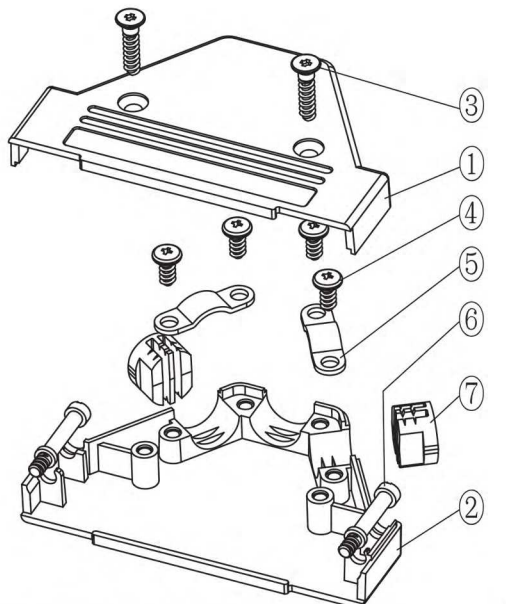
4

5

6

7

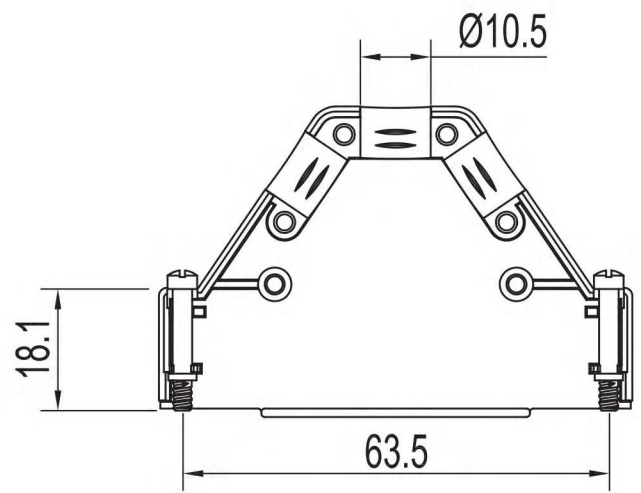
SV4382



TECHNICAL SPECIFICATIONS

Material: ABS Plastic, UL94-HB
 Plating: Nickel over Copper
 Operating Temperature: -55°C to +110°C
 Thumbscrews: UNC 4-40
 No. of contacts: 09-15-25-37

Item	QTY	Part description
1	1	Upper Half
2	1	Lower Half
3	2	ST2.9x13 Self Tapping Screw
4	4	ST2.9x6 Self Tapping Screw
5	2	Cable Clamp
6	2	Jackscrews UNC4-40 x 18.1mm
7	2	Metalized Blanker



RoHS compliant
 Unit: mm

Scale	Free				Date	Name	Customer-No.	
TOLERANCE					Drawn	17.08.2017	S.Bölling	
0~6	±0.10				Approved	17.08.2017	S.Bölling	
6~30	±0.20							
30~120	±0.30							
120~400	±0.50							
DIM	Tol							
Angle	±1°	Ⓢ	Drawn	17.08.2017				S.Bölling
Angle	Tol	Id.	Modification	Date				Name

Customer-No.		
ASSMANN WSW-No.		ACOVSUB-37MB20
Drawing-No.	ASS_5261_CO	rev00
Replace		Sheet 4/4