



Chipsmall Limited consists of a professional team with an average of over 10 year of expertise in the distribution of electronic components. Based in Hongkong, we have already established firm and mutual-benefit business relationships with customers from,Europe,America and south Asia,supplying obsolete and hard-to-find components to meet their specific needs.

With the principle of “Quality Parts,Customers Priority,Honest Operation,and Considerate Service”,our business mainly focus on the distribution of electronic components. Line cards we deal with include Microchip,ALPS,ROHM,Xilinx,Pulse,ON,Everlight and Freescale. Main products comprise IC,Modules,Potentiometer,IC Socket,Relay,Connector.Our parts cover such applications as commercial,industrial, and automotives areas.

We are looking forward to setting up business relationship with you and hope to provide you with the best service and solution. Let us make a better world for our industry!



Contact us

Tel: +86-755-8981 8866 Fax: +86-755-8427 6832

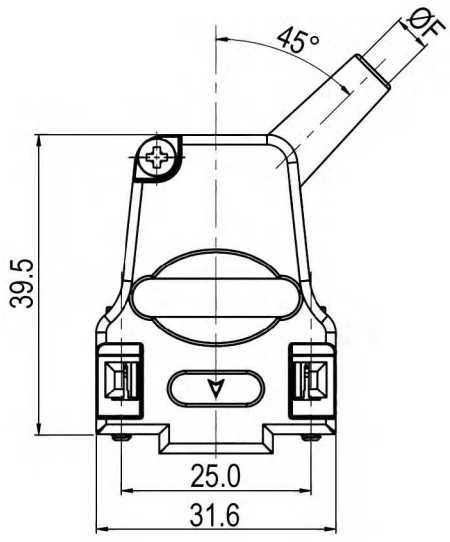
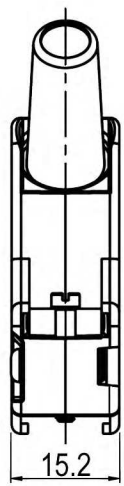
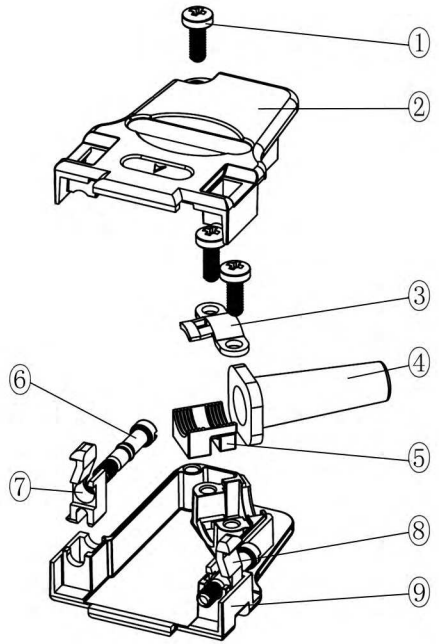
Email & Skype: info@chipsmall.com Web: www.chipsmall.com

Address: A1208, Overseas Decoration Building, #122 Zhenhua RD., Futian, Shenzhen, China



A
B
C
D
E
F
G
H

A
B
C
D
E
F
G
H



TECHNICAL SPECIFICATIONS
 Material: Zinc
 Plating: Nickel
 Operating Temperature: -25°C to +90°C
 Thumbscrews: UNC 4-40
 Max cable ØF:
 With Rubber Grommet: 6.5mm
 W/O Rubber Grommet: 9.5mm
 No. of contacts: 09-15-25-37

Item	QTY	Part description
1	3	Screw
2	1	Upper Cover
3	1	Cable clamp
4	1	Rubber grommet
5	1	Plastic Insert
6	2	Jackscrew UNC4-40
7	1	Latch-1
8	1	Latch-2
9	1	Lower Cover

RoHS compliant
Unit: mm

Scale	Free				Date	Name	Customer-No.	
TOLERANCE					Drawn	17.08.2017	S.Bölling	
0~6	±0.10				Approved	17.08.2017	S.Bölling	
6~30	±0.20							
30~120	±0.30							
120~400	±0.50							
DIM	Tol							
Angle	±1°	Ⓢ	Drawn	17.08.2017				S.Bölling
Angle	Tol	Id.	Modification	Date				Name

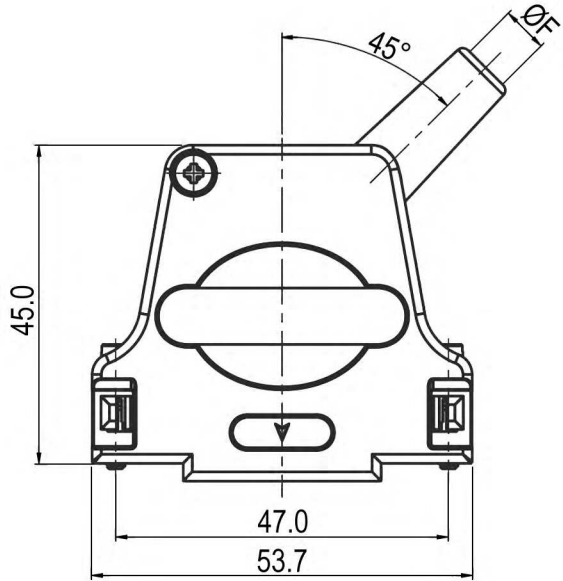
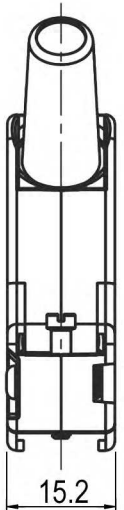
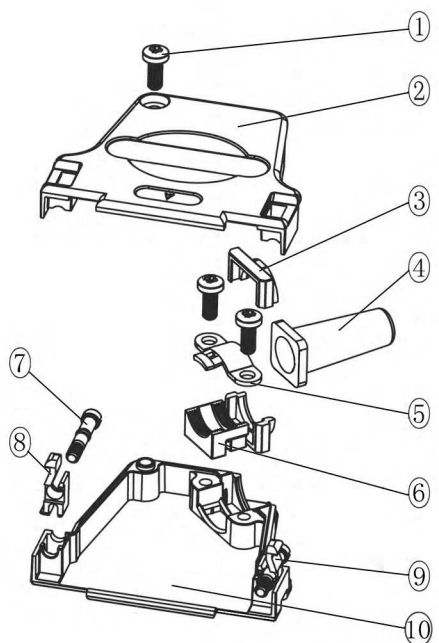
Customer-No.	
ASSMANN WSW-No. ACOV-SUB-09MB43	
Drawing-No.	rev00
ASS_5284_CO	Sheet 1/4
Replace	

	1	2	3	4	5	6	7																																																																									
A								A																																																																								
B																																																																																
C																																																																																
D																																																																																
E	<table border="1"> <thead> <tr> <th>Item</th> <th>QTY</th> <th>Part description</th> </tr> </thead> <tbody> <tr> <td>1</td> <td>3</td> <td>Screw</td> </tr> <tr> <td>2</td> <td>1</td> <td>Upper Cover</td> </tr> <tr> <td>3</td> <td>2</td> <td>Reduction plate</td> </tr> <tr> <td>4</td> <td>1</td> <td>Rubber grommet</td> </tr> <tr> <td>5</td> <td>1</td> <td>Cable clamp</td> </tr> <tr> <td>6</td> <td>1</td> <td>Plastic Insert</td> </tr> <tr> <td>7</td> <td>2</td> <td>Jackscrew UNC4-40</td> </tr> <tr> <td>8</td> <td>1</td> <td>Latch-1</td> </tr> <tr> <td>9</td> <td>1</td> <td>Latch-2</td> </tr> <tr> <td>10</td> <td>1</td> <td>Lower Cover</td> </tr> </tbody> </table>							Item	QTY	Part description	1	3	Screw	2	1	Upper Cover	3	2	Reduction plate	4	1	Rubber grommet	5	1	Cable clamp	6	1	Plastic Insert	7	2	Jackscrew UNC4-40	8	1	Latch-1	9	1	Latch-2	10	1	Lower Cover	E																																							
Item	QTY	Part description																																																																														
1	3	Screw																																																																														
2	1	Upper Cover																																																																														
3	2	Reduction plate																																																																														
4	1	Rubber grommet																																																																														
5	1	Cable clamp																																																																														
6	1	Plastic Insert																																																																														
7	2	Jackscrew UNC4-40																																																																														
8	1	Latch-1																																																																														
9	1	Latch-2																																																																														
10	1	Lower Cover																																																																														
F	<table border="1"> <thead> <tr> <th>Scale</th> <th>Free</th> <th></th> <th></th> <th></th> <th>Date</th> <th>Name</th> <th>Customer-No.</th> </tr> </thead> <tbody> <tr> <td colspan="2">TOLERANCE</td> <td></td> <td></td> <td></td> <td>Drawn</td> <td>17.08.2017</td> <td>S.Bölling</td> </tr> <tr> <td>0~6</td> <td>±0.10</td> <td></td> <td></td> <td></td> <td>Approved</td> <td>17.08.2017</td> <td>S.Bölling</td> </tr> <tr> <td>6~30</td> <td>±0.20</td> <td></td> <td></td> <td></td> <td></td> <td></td> <td></td> </tr> <tr> <td>30~120</td> <td>±0.30</td> <td></td> <td></td> <td></td> <td></td> <td></td> <td></td> </tr> <tr> <td>120~400</td> <td>±0.50</td> <td></td> <td></td> <td></td> <td></td> <td></td> <td></td> </tr> <tr> <td>DIM</td> <td>Tol</td> <td></td> <td></td> <td></td> <td></td> <td></td> <td></td> </tr> <tr> <td>Angle</td> <td>±1°</td> <td>Ⓢ</td> <td>Drawn</td> <td>17.08.2017</td> <td>S.Bölling</td> <td></td> <td></td> </tr> <tr> <td>Angle</td> <td>Tol</td> <td>Id.</td> <td>Modification</td> <td>Date</td> <td>Name</td> <td></td> <td></td> </tr> </tbody> </table>							Scale	Free				Date	Name	Customer-No.	TOLERANCE					Drawn	17.08.2017	S.Bölling	0~6	±0.10				Approved	17.08.2017	S.Bölling	6~30	±0.20							30~120	±0.30							120~400	±0.50							DIM	Tol							Angle	±1°	Ⓢ	Drawn	17.08.2017	S.Bölling			Angle	Tol	Id.	Modification	Date	Name			F
Scale	Free				Date	Name	Customer-No.																																																																									
TOLERANCE					Drawn	17.08.2017	S.Bölling																																																																									
0~6	±0.10				Approved	17.08.2017	S.Bölling																																																																									
6~30	±0.20																																																																															
30~120	±0.30																																																																															
120~400	±0.50																																																																															
DIM	Tol																																																																															
Angle	±1°	Ⓢ	Drawn	17.08.2017	S.Bölling																																																																											
Angle	Tol	Id.	Modification	Date	Name																																																																											
G	<p>RoHS compliant Unit: mm</p>							G																																																																								
H								H																																																																								
	<p>TECHNICAL SPECIFICATIONS</p> <p>Material: Zinc Plating: Nickel Operating Temperature: -25°C to +90°C Thumbscrews: UNC 4-40</p> <p>Max cable ØF: With Rubber Grommet: 6.5mm W/O Rubber Grommet: 12.5mm</p> <p>No. of contacts: 09-15-25-37</p>																																																																															
	1	2	3	4	5	6	7	SV4382																																																																								



A
B
C
D
E
F
G
H

A
B
C
D
E
F
G
H



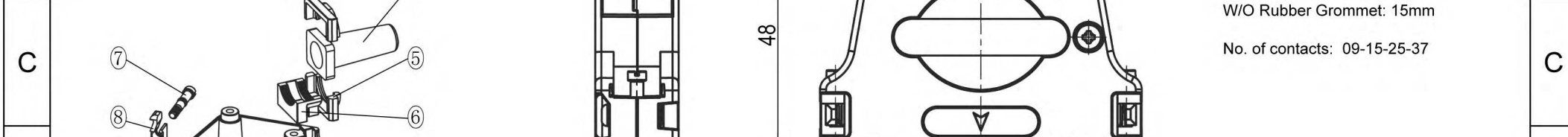
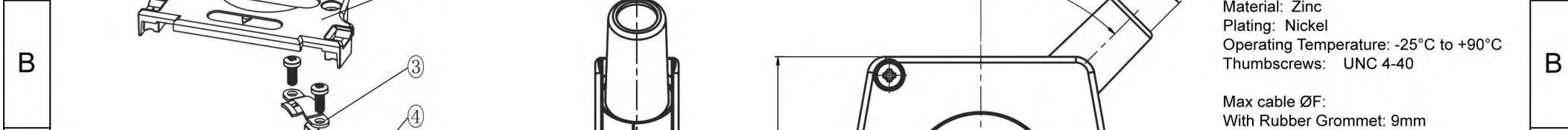
TECHNICAL SPECIFICATIONS
 Material: Zinc
 Plating: Nickel
 Operating Temperature: -25°C to +90°C
 Thumbscrews: UNC 4-40
 Max cable ØF:
 With Rubber Grommet: 8mm
 W/O Rubber Grommet: 12.5mm
 No. of contacts: 09-15-25-37

Item	QTY	Part description
1	3	Screw
2	1	Upper Cover
3	2	Reduction plate
4	1	Rubber grommet
5	1	Cable clamp
6	1	Plastic Insert
7	2	Jackscrew UNC4-40
8	1	Latch-1
9	1	Latch-2
10	1	Lower Cover

RoHS compliant
Unit: mm

Scale	Free				Date	Name	Customer-No.	
TOLERANCE					Drawn	17.08.2017	S.Bölling	
0~6	±0.10				Approved	17.08.2017	S.Bölling	
6~30	±0.20							
30~120	±0.30							
120~400	±0.50							
DIM	Tol							
Angle	±1°	Ⓢ	Drawn	17.08.2017				S.Bölling
Angle	Tol	Id.	Modification	Date				Name

Customer-No.	
ASSMANN WSW-No. ACOV-SUB-25MB43	
Drawing-No. ASS_5284_CO	rev00
Replace	Sheet 3/4



TECHNICAL SPECIFICATIONS

Material: Zinc
 Plating: Nickel
 Operating Temperature: -25°C to +90°C
 Thumbscrews: UNC 4-40

Max cable ØF:
 With Rubber Grommet: 9mm
 W/O Rubber Grommet: 15mm

No. of contacts: 09-15-25-37

Item	QTY	Part description
1	4	Screw
2	1	Upper Cover
3	1	Cable clamp
4	1	Rubber grommet
5	2	Reduction plate
6	1	Plastic Insert
7	2	Jackscrew UNC4-40
8	1	Latch-1
9	1	Latch-2
10	1	Lower Cover

RoHS compliant
 Unit: mm

Scale	Free					Date	Name	Customer-No.
TOLERANCE						Drawn	17.08.2017	S.Bölling
0~6	±0.10					Approved	17.08.2017	S.Bölling
6~30	±0.20							
30~120	±0.30							
120~400	±0.50							
DIM	Tol							
Angle	±1°	Ⓢ	Drawn	17.08.2017	S.Bölling			
Angle	Tol	Id.	Modification	Date	Name			

Customer-No.
 ASSMANN WSW-No.
ACOV-SUB-37MB43

Drawing-No.
ASS_5284_CO rev00
 Replace Sheet 4/4