



Chipsmall Limited consists of a professional team with an average of over 10 year of expertise in the distribution of electronic components. Based in Hongkong, we have already established firm and mutual-benefit business relationships with customers from,Europe,America and south Asia,supplying obsolete and hard-to-find components to meet their specific needs.

With the principle of “Quality Parts,Customers Priority,Honest Operation,and Considerate Service”,our business mainly focus on the distribution of electronic components. Line cards we deal with include Microchip,ALPS,ROHM,Xilinx,Pulse,ON,Everlight and Freescale. Main products comprise IC,Modules,Potentiometer,IC Socket,Relay,Connector.Our parts cover such applications as commercial,industrial, and automotives areas.

We are looking forward to setting up business relationship with you and hope to provide you with the best service and solution. Let us make a better world for our industry!



Contact us

Tel: +86-755-8981 8866 Fax: +86-755-8427 6832

Email & Skype: info@chipsmall.com Web: www.chipsmall.com

Address: A1208, Overseas Decoration Building, #122 Zhenhua RD., Futian, Shenzhen, China



1

2

3

4

5

6

7

A

A

B

B

C

C

D

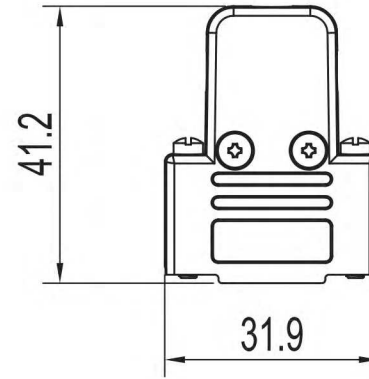
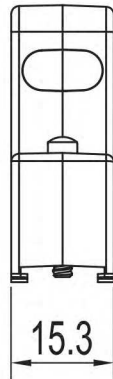
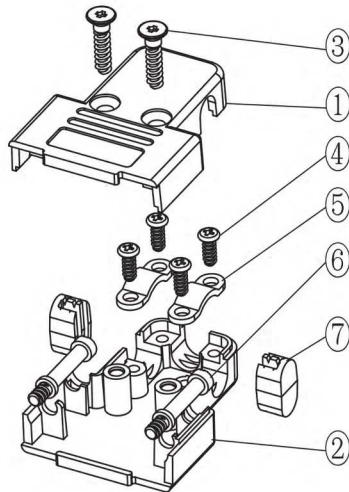
D

E

E

F

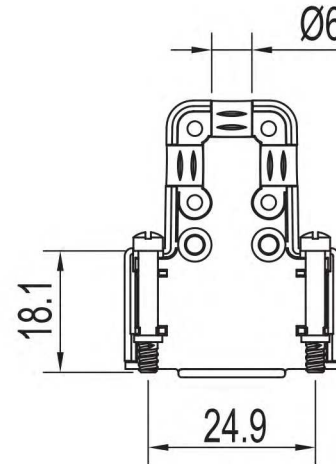
F



TECHNICAL SPECIFICATIONS


Material: ABS Plastic, UL94 V-0
 Operating Temperature: -55°C to +110°C
 Thumbscrews: UNC 4-40

No. of contacts: 09-15-25-37



Item	QTY	Part description
1	1	Upper Half
2	1	Lower Half
3	2	ST2.9x13 Self Tapping Screw
4	4	ST2.9x6 Self Tapping Screw
5	2	Cable Clamp
6	2	Jackscrews UNC4-40 x 18.1mm
7	2	Plastic Blanker

RoHS compliant
 Unit: mm

Scale	Free					Date	Name	Customer-No.
TOLERANCE						Drawn	17.08.2017	S.Bölling
0~6	±0.10					Approved	17.08.2017	S.Bölling
6~30	±0.20							
30~120	±0.30							
120~400	±0.50							
DIM	Tol							
Angle	±1°	Ⓢ	Drawn	17.08.2017	S.Bölling			
Angle	Tol	Id.	Modification	Date	Name			

Customer-No.

ASSMANN WSW-No.
ACOV-SUB-09NB21

Drawing-No.

ASS_5262_CO

rev00

Replace

Sheet 1/4

1

2

3

4

5

6

7

SV4382

1

2

3

4

5

6

7

A

A

B

B

C

C

D

D

E

E

F

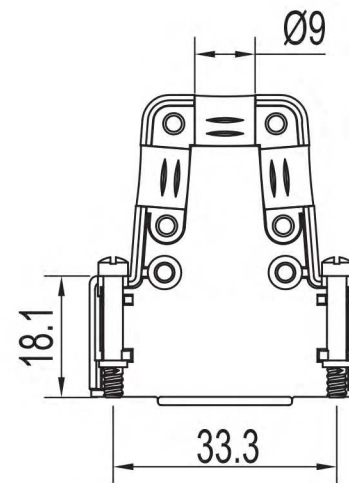
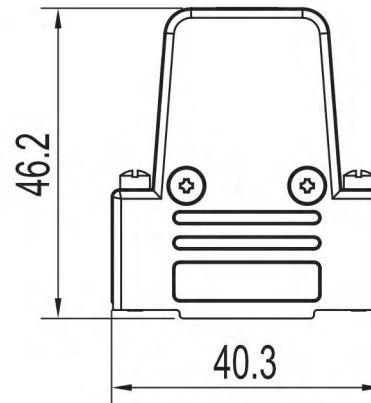
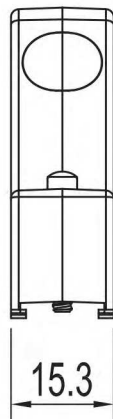
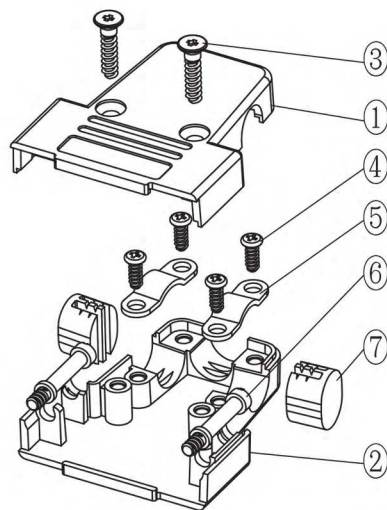
F

G

G

H

H



TECHNICAL SPECIFICATIONS

Material: ABS Plastic, UL94 V-0
 Operating Temperature: -55°C to +110°C
 Thumbscrews: UNC 4-40

No. of contacts: 09-15-25-37

Item	QTY	Part description
1	1	Upper Half
2	1	Lower Half
3	2	ST2.9x13 Self Tapping Screw
4	4	ST2.9x6 Self Tapping Screw
5	2	Cable Clamp
6	2	Jackscrews UNC4-40 x 18.1mm
7	2	Plastic Blanker

RoHS compliant
 Unit: mm

Scale	Free				Date	Name	Customer-No.	
TOLERANCE					Drawn	17.08.2017	S.Bölling	
0~6	±0.10				Approved	17.08.2017	S.Bölling	
6~30	±0.20							
30~120	±0.30							
120~400	±0.50							
DIM	Tol							
Angle	±1°	ⓐ	Drawn	17.08.2017				S.Bölling
Angle	Tol	ld.	Modification	Date				Name

Customer-No.

Drawn

Date

Name

ASSMANN WSW-No.

ACOV-SUB-15NB21

Drawing-No.

ASS_5262_CO

rev00

Replace

Sheet 2/4

1

2

3

4

5

6

7

SV4382

1

2

3

4

5

6

7

A

B

C

D

E

F

A

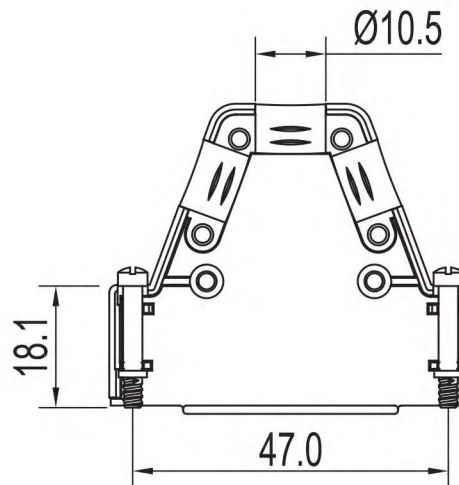
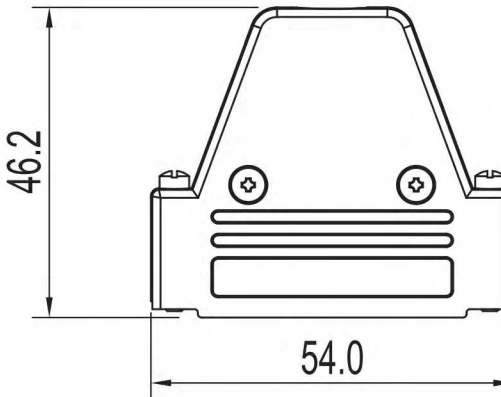
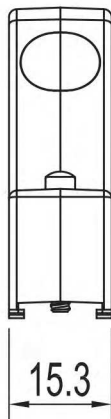
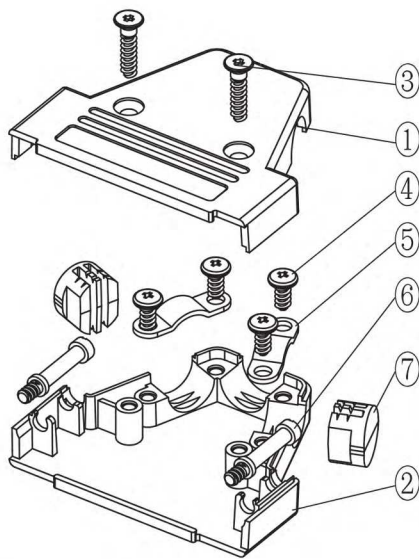
B

C

D

E

F



TECHNICAL SPECIFICATIONS

Material: ABS Plastic, UL94 V-0
 Operating Temperature: -55°C to +110°C
 Thumbscrews: UNC 4-40

No. of contacts: 09-15-25-37

Item	QTY	Part description
1	1	Upper Half
2	1	Lower Half
3	2	ST2.9x13 Self Tapping Screw
4	4	ST2.9x6 Self Tapping Screw
5	2	Cable Clamp
6	2	Jackscrews UNC4-40 x 18.1mm
7	2	Plastic Blanker

RoHS compliant
 Unit: mm

Scale	Free				Date	Name	Customer-No.	
TOLERANCE					Drawn	17.08.2017	S.Bölling	
0~6	±0.10				Approved	17.08.2017	S.Bölling	
6~30	±0.20							
30~120	±0.30							
120~400	±0.50							
DIM	Tol							
Angle	±1°	Ⓢ	Drawn	17.08.2017				S.Bölling
Angle	Tol	Id.	Modification	Date				Name

Customer-No.
 ASSMANN WSW-No.
ACOV-SUB-25NB21

Drawing-No.
ASS_5262_CO rev00
 Replace Sheet 3/4

1

2

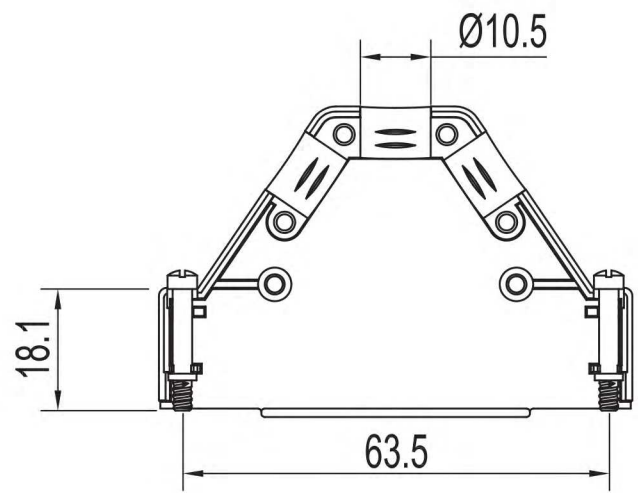
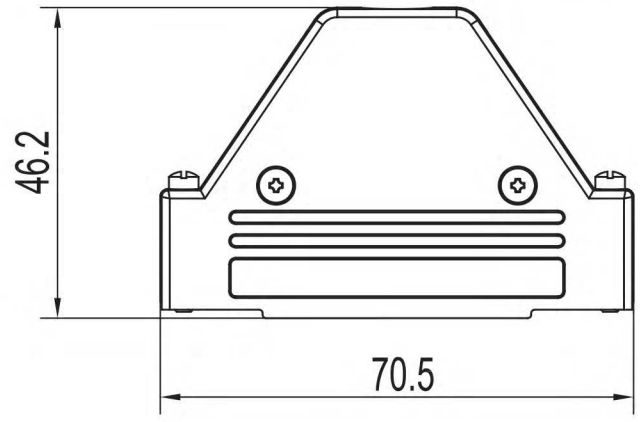
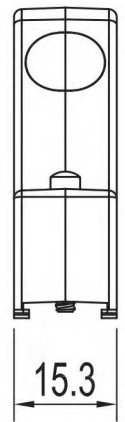
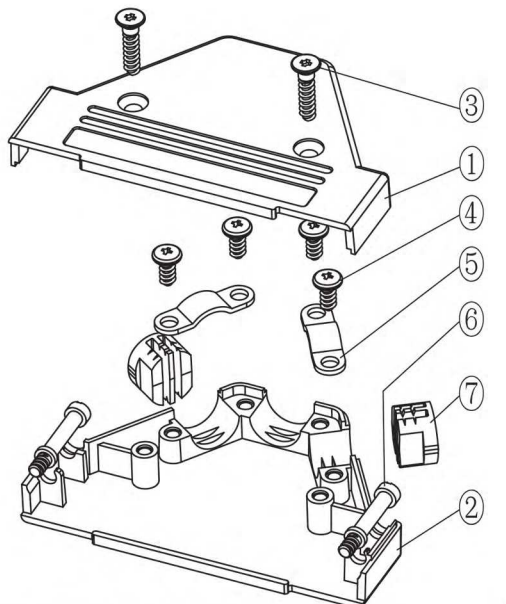
3

4

5

6

7



TECHNICAL SPECIFICATIONS

Material: ABS Plastic, UL94 V-0
 Operating Temperature: -55°C to +110°C
 Thumbscrews: UNC 4-40

No. of contacts: 09-15-25-37

Item	QTY	Part description
1	1	Upper Half
2	1	Lower Half
3	2	ST2.9x13 Self Tapping Screw
4	4	ST2.9x6 Self Tapping Screw
5	2	Cable Clamp
6	2	Jackscrews UNC4-40 x 18.1mm
7	2	Plastic Blanker

RoHS compliant
 Unit: mm

Scale	Free					Date	Name	Customer-No.
TOLERANCE						Drawn	17.08.2017	S.Bölling
0~6	±0.10					Approved	17.08.2017	S.Bölling
6~30	±0.20							
30~120	±0.30							
120~400	±0.50							
DIM	Tol							
Angle	±1°	Ⓢ	Drawn	17.08.2017	S.Bölling			
Angle	Tol	Id.	Modification	Date	Name			

ASSMANN WSW-No. ACOV-SUB-37NB21	
Drawing-No. ASS_5262_CO	rev00
Replace	Sheet 4/4