



Chipsmall Limited consists of a professional team with an average of over 10 year of expertise in the distribution of electronic components. Based in Hongkong, we have already established firm and mutual-benefit business relationships with customers from,Europe,America and south Asia,supplying obsolete and hard-to-find components to meet their specific needs.

With the principle of “Quality Parts,Customers Priority,Honest Operation,and Considerate Service”,our business mainly focus on the distribution of electronic components. Line cards we deal with include Microchip,ALPS,ROHM,Xilinx,Pulse,ON,Everlight and Freescale. Main products comprise IC,Modules,Potentiometer,IC Socket,Relay,Connector.Our parts cover such applications as commercial,industrial, and automotives areas.

We are looking forward to setting up business relationship with you and hope to provide you with the best service and solution. Let us make a better world for our industry!



## Contact us

Tel: +86-755-8981 8866 Fax: +86-755-8427 6832

Email & Skype: info@chipsmall.com Web: www.chipsmall.com

Address: A1208, Overseas Decoration Building, #122 Zhenhua RD., Futian, Shenzhen, China



# ACPL-332J

## 2.5 Amp Output Current IGBT Gate Driver Optocoupler with Integrated ( $V_{CE}$ ) Desaturation Detection, UVLO Fault Status Feedback and Active Miller Clamping



### Data Sheet



Lead (Pb) Free  
RoHS 6 fully compliant

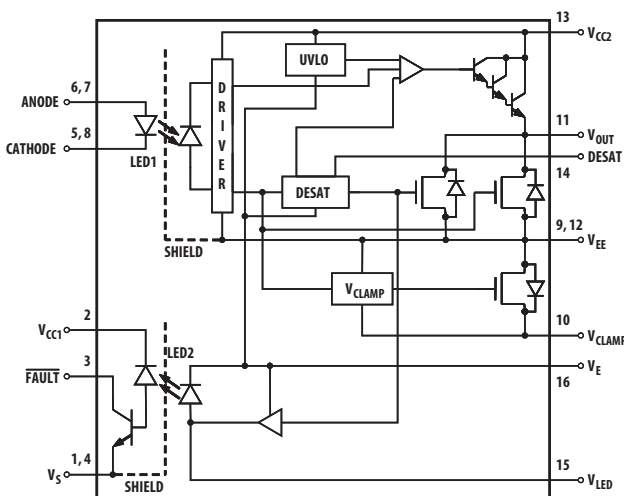
RoHS 6 fully compliant options available;  
-xxxE denotes a lead-free product

#### Description

The ACPL-332J is an advanced 2.5 A output current, easy-to-use, intelligent gate driver which makes IGBT  $V_{CE}$  fault protection compact, affordable, and easy-to implement. Features such as integrated  $V_{CE}$  detection, under voltage lockout (UVLO), “soft” IGBT turn-off, isolated open collector fault feedback and active Miller clamping provide maximum design flexibility and circuit protection.

The ACPL-332J contains a AlGaAs LED. The LED is optically coupled to an integrated circuit with a power output stage. ACPL-332J is ideally suited for driving power IGBTs and MOSFETs used in motor control inverter applications. The voltage and current supplied by these optocouplers make them ideally suited for directly driving IGBTs with ratings up to 1200 V and 150 A. For IGBTs with higher ratings, the ACPL-332J can be used to drive a discrete power stage which drives the IGBT gate. The ACPL-332J has an insulation voltage of  $V_{IORM} = 1414 V_{PEAK}$ .

#### Block Diagram



#### Features

- Under Voltage Lock-Out Protection (UVLO) with Hysteresis
- Desaturation Detection
- Miller Clamping
- Open Collector Isolated fault feedback
- “Soft” IGBT Turn-off
- Fault Reset by next LED turn-on (low to high) after fault mute period
- Available in SO-16 package
- Safety approvals: UL approved, 5000  $V_{RMS}$  for 1 minute, CSA approved, IEC/EN/DIN-EN 60747-5-5 approved  $V_{IORM} = 1414 V_{PEAK}$

#### Specifications

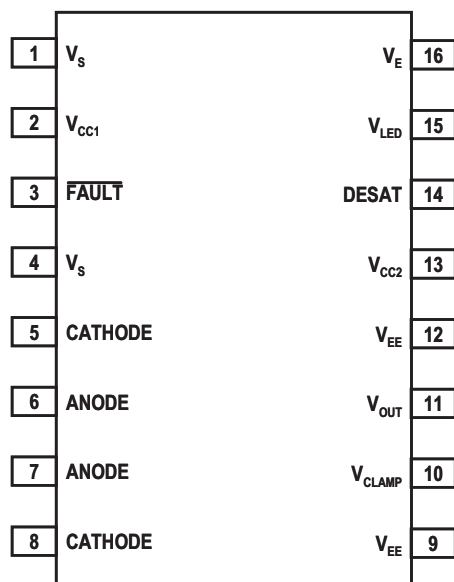
- 2.5 A maximum peak output current
- 2.0 A minimum peak output current
- 250 ns maximum propagation delay over temperature range
- 100 ns maximum pulse width distortion (PWD)
- 50 kV/ $\mu$ s minimum common mode rejection (CMR) at  $V_{CM} = 1500 V$
- $I_{CC(max)} < 5 mA$  maximum supply current
- Wide  $V_{CC}$  operating range: 15 V to 30 V over temperature range
- 1.7 A Miller Clamp. Clamp pin short to  $V_{EE}$  if not used
- Wide operating temperature range:  $-40^{\circ}C$  to  $105^{\circ}C$

#### Applications

- Isolated IGBT/Power MOSFET gate drive
- AC and brushless DC motor drives
- Industrial inverters and Uninterruptible Power Supply (UPS)

**CAUTION:** It is advised that normal static precautions be taken in handling and assembly of this component to prevent damage and/or degradation which may be induced by ESD. The components featured in this datasheet are not to be used in military or aerospace applications or environments.

## Pin Description



Pin	Symbol	Description
1	V <sub>S</sub>	Input Ground
2	V <sub>CC1</sub>	Positive input supply voltage. (3.3 V to 5.5 V)
3	FAULT	Fault output. FAULT changes from a high impedance state to a logic low output within 5 μs of the voltage on the DESAT pin exceeding an internal reference voltage of 7 V. FAULT output is an open collector which allows the FAULT outputs from all ACPL-332J in a circuit to be connected together in a "wired OR" forming a single fault bus for interfacing directly to the micro-controller.
4	V <sub>S</sub>	Input Ground
5	CATHODE	Cathode
6	ANODE	Anode
7	ANODE	Anode
8	CATHODE	Cathode
9	V <sub>EE</sub>	Output supply voltage.
10	V <sub>CLAMP</sub>	Miller clamp
11	V <sub>OUT</sub>	Gate drive voltage output
12	V <sub>EE</sub>	Output supply voltage.
13	V <sub>CC2</sub>	Positive output supply voltage
14	DESAT	Desaturation voltage input. When the voltage on DESAT exceeds an internal reference voltage of 6.5 V while the IGBT is on, FAULT output is changed from a high impedance state to a logic low state within 5 μs.
15	V <sub>LED</sub>	LED anode. This pin must be left unconnected for guaranteed data sheet performance. (For optical coupling testing only)
16	V <sub>E</sub>	Common (IGBT emitter) output supply voltage.

## Ordering Information

ACPL-332J is UL Recognized with 5000 Vrms for 1 minute per UL1577.

Part number	Option	Package	Surface Mount	Tape & Reel	IEC/EN/DIN EN 60747-5-5	Quantity
	RoHS Compliant					
ACPL-332J	-000E	SO-16	X		X	45 per tube
	-500E		X	X	X	850 per reel

To order, choose a part number from the part number column and combine with the desired option from the option column to form an order entry.

Example 1:

ACPL-332J-500E to order product of SO-16 Surface Mount package in Tape and Reel packaging with IEC/EN/DIN EN 60747-5-5 Safety Approval in RoHS compliant.

Example 2:

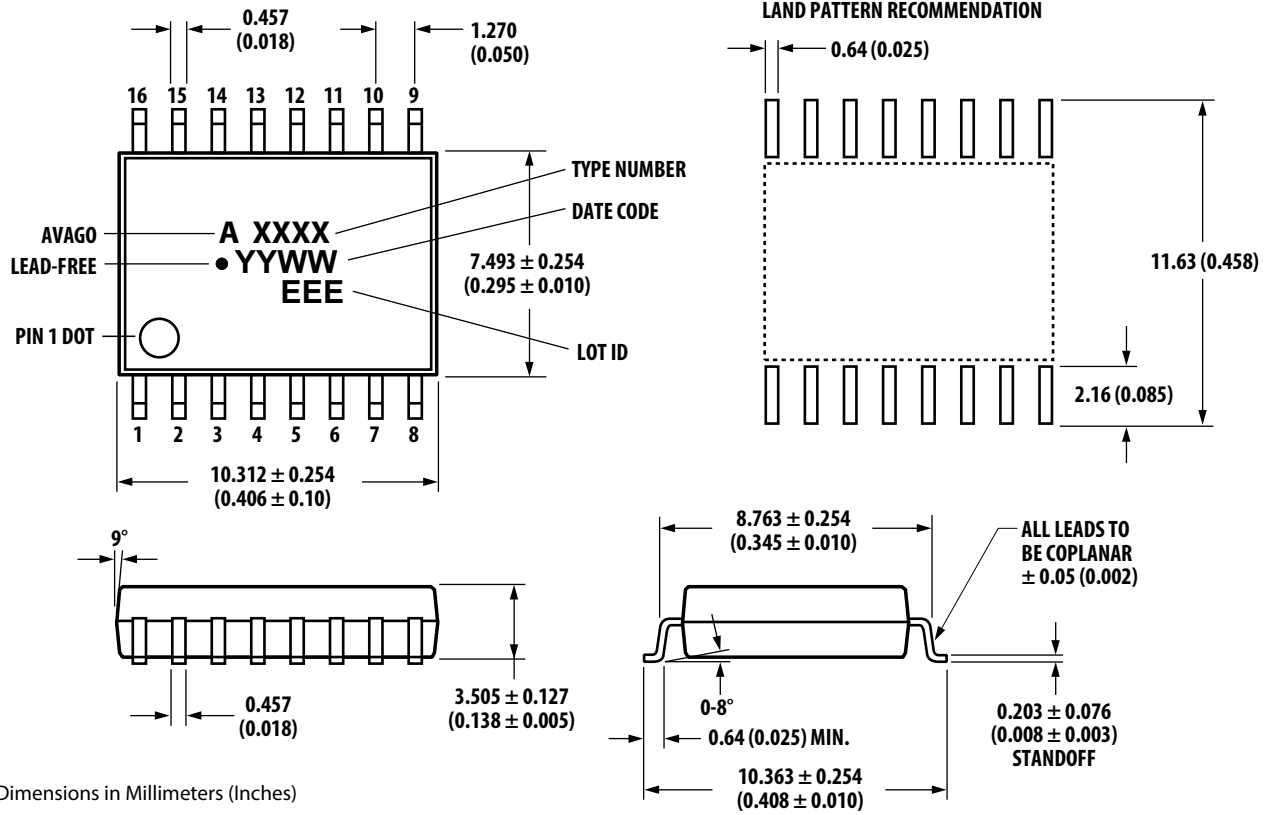
ACPL-332J-000E to order product of SO-16 Surface Mount package in tube packaging with IEC/EN/DIN EN 60747-5-5 Safety Approval and RoHS compliant.

Option datasheets are available. Contact your Avago sales representative or authorized distributor for information.

Remarks: The notation '#XXX' is used for existing products, while (new) products launched since 15th July 2001 and RoHS compliant option will use '-XXXE'.

# Package Outline Drawings

## 16-Lead Surface Mount Package



Dimensions in Millimeters (Inches)

Floating lead protrusion is 0.25 mm (10 mils) Max.

Note: Initial and continued variation in color of the white mold compound is normal and does not affect performance or reliability of the device

## Recommended Pb-Free IR Profile

Recommended reflow condition as per JEDEC Standard, J-STD-020 (latest revision). Non-Halide Flux should be used.

## Regulatory Information

The ACPL-332J is approved by the following organizations:

<b>IEC/EN/DIN EN 60747-5-5</b>	Approval under: DIN EN 60747-5-5 (VDE 0884-5):2011-11 EN 60747-5-5:2011
<b>UL</b>	Approval under UL 1577, component recognition program up to $V_{ISO} = 5000 V_{RMS}$ . File E55361.
<b>CSA</b>	Approval under CSA Component Acceptance Notice #5, File CA 88324.

**Table 1. IEC/EN/DIN EN 60747-5-5 Insulation Characteristics\***

Description	Symbol	Characteristic	Unit
Installation classification per DIN VDE 0110/39, Table 1 for rated mains voltage $\leq 150 V_{rms}$ for rated mains voltage $\leq 300 V_{rms}$ for rated mains voltage $\leq 600 V_{rms}$ for rated mains voltage $\leq 1000 V_{rms}$		I – IV I – IV I – IV I – III	
Climatic Classification		40/100/21	
Pollution Degree (DIN VDE 0110/39)		2	
Maximum Working Insulation Voltage	$V_{IORM}$	1414	$V_{peak}$
Input to Output Test Voltage, Method b**, $V_{IORM} \times 1.875 = V_{PR}$ , 100% Production Test with $t_m = 1$ sec, Partial discharge $< 5$ pC	$V_{PR}$	2652	$V_{peak}$
Input to Output Test Voltage, Method a**, $V_{IORM} \times 1.6 = V_{PR}$ , Type and Sample Test, $t_m = 10$ sec, Partial discharge $< 5$ pC	$V_{PR}$	2262	$V_{peak}$
Highest Allowable Overvoltage (Transient Overvoltage $t_{ini} = 60$ sec)	$V_{IOTM}$	8000	$V_{peak}$
Safety-limiting values – maximum values allowed in the event of a failure.			
Case Temperature	$T_S$	175	$^{\circ}C$
Input Current	$I_{S, INPUT}$	400	mA
Output Power	$P_{S, OUTPUT}$	1200	mW
Insulation Resistance at $T_S$ , $V_{IO} = 500$ V	$R_S$	$> 10^9$	$\Omega$

\* Isolation characteristics are guaranteed only within the safety maximum ratings which must be ensured by protective circuits in application. Surface mount classification is class A in accordance with CECC00802.

\*\* Refer to IEC/EN/DIN EN 60747-5-5 Optoisolator Safety Standard section of the Avago Regulatory Guide to Isolation Circuits, AV02-2041EN for a detailed description of Method a and Method b partial discharge test profiles.

Dependence of Safety Limiting Values on Temperature. (take from DS AV01-0579EN Pg.7)

**Table 2. Insulation and Safety Related Specifications**

Parameter	Symbol	ACPL-332J	Units	Conditions
Minimum External Air Gap (Clearance)	L(101)	8.3	mm	Measured from input terminals to output terminals, shortest distance through air.
Minimum External Tracking (Creepage)	L(102)	8.3	mm	Measured from input terminals to output terminals, shortest distance path along body.
Minimum Internal Plastic Gap (Internal Clearance)		0.5	mm	Through insulation distance conductor to conductor, usually the straight line distance thickness between the emitter and detector.
Tracking Resistance (Comparative Tracking Index)	CTI	>175	V	DIN IEC 112/VDE 0303 Part 1
Isolation Group		IIIa		Material Group (DIN VDE 0110, 1/89, Table 1)

**Table 3. Absolute Maximum Ratings**

Parameter	Symbol	Min.	Max.	Units	Note
Storage Temperature	$T_S$	-55	125	°C	
Operating Temperature	$T_A$	-40	105	°C	2
Output IC Junction Temperature	$T_J$		125	°C	2
Average Input Current	$I_{F(AVG)}$		25	mA	1
Peak Transient Input Current, (<1 $\mu$ s pulse width, 300pps)	$I_{F(TRAN)}$		1.0	A	
Reverse Input Voltage	$V_R$		5	V	
“High” Peak Output Current	$I_{OH(PEAK)}$		2.5	A	3
“Low” Peak Output Current	$I_{OL(PEAK)}$		2.5	A	3
Positive Input Supply Voltage	$V_{CC1}$	-0.5	7.0	V	
$\overline{FAULT}$ Output Current	$I_{\overline{FAULT}}$		8.0	mA	
$\overline{FAULT}$ Pin Voltage	$V_{\overline{FAULT}}$	-0.5	$V_{CC1}$	V	
Total Output Supply Voltage	$(V_{CC2} - V_{EE})$	-0.5	35	V	
Negative Output Supply Voltage	$(V_E - V_{EE})$	-0.5	15	V	6
Positive Output Supply Voltage	$(V_{CC2} - V_E)$	-0.5	$35 - (V_E - V_{EE})$	V	
Gate Drive Output Voltage	$V_{O(PEAK)}$	-0.5	$V_{CC2}$	V	
Peak Clamping Sinking Current	$I_{Clamp}$		1.7	A	
Miller Clamping Pin Voltage	$V_{Clamp}$	-0.5	$V_{CC2}$	V	
DESAT Voltage	$V_{DESAT}$	$V_E$	$V_E + 10$	V	
Output IC Power Dissipation	$P_O$		600	mW	2
Input IC Power Dissipation	$P_I$		150	mW	2
Solder Reflow Temperature Profile	See Package Outline Drawings section				

**Table 4. Recommended Operating Conditions**

Parameter	Symbol	Min.	Max.	Units	Note
Operating Temperature	$T_A$	-40	105	°C	2
Total Output Supply Voltage	$(V_{CC2} - V_{EE})$	15	30	V	7
Negative Output Supply Voltage	$(V_E - V_{EE})$	0	15	V	4
Positive Output Supply Voltage	$(V_{CC2} - V_E)$	15	$30 - (V_E - V_{EE})$	V	
Input Current (ON)	$I_{F(ON)}$	8	12	mA	
Input Voltage (OFF)	$V_{F(OFF)}$	-3.6	0.8	V	

**Table 5. Electrical Specifications (DC)**

Unless otherwise noted, all typical values at  $T_A = 25^\circ\text{C}$ ,  $V_{CC2} - V_{EE} = 30\text{ V}$ ,  $V_E - V_{EE} = 0\text{ V}$ ;  
all Minimum/Maximum specifications are at Recommended Operating Conditions. Positive Supply Voltage used.

Parameter	Symbol	Min.	Typ.	Max.	Units	Test Conditions	Fig.	Note
$\overline{\text{FAULT}}$ Logic Low Output Voltage	$V_{\overline{\text{FAULTL}}}$		0.1	0.4	V	$I_{\overline{\text{FAULT}}} = 1.1\text{ mA}$ , $V_{CC1} = 5.5\text{V}$		
			0.1	0.4	V	$I_{\overline{\text{FAULT}}} = 1.1\text{ mA}$ , $V_{CC1} = 3.3\text{V}$		
$\overline{\text{FAULT}}$ Logic High Output Current	$I_{\overline{\text{FAULTH}}}$		0.02	0.5	$\mu\text{A}$	$V_{\overline{\text{FAULT}}} = 5.5\text{ V}$ , $V_{CC1} = 5.5\text{V}$		
			0.002	0.3	$\mu\text{A}$	$V_{\overline{\text{FAULT}}} = 3.3\text{ V}$ , $V_{CC1} = 3.3\text{V}$		
High Level Output Current	$I_{OH}$	-0.5	-1.5		A	$V_O = V_{CC2} - 4$	2, 4,	5
		-2.0			A	$V_O = V_{CC2} - 15$	21	3
Low Level Output Current	$I_{OL}$	0.5	1.5		A	$V_O = V_{EE} + 2.5$	3, 5,	5
		2.0			A	$V_O = V_{EE} + 15$	22	3
Low Level Output Current During Fault Condition	$I_{OLF}$	90	140	230	mA	$V_{OUT} - V_{EE} = 14\text{ V}$		6
High Level Output Voltage	$V_{OH}$	$V_{CC} - 2.9$	$V_{CC} - 2.0$		V	$I_O = -650\ \mu\text{A}$	4, 6,	7, 8, 9
Low Level Output Voltage	$V_{OL}$		0.17	0.5	V	$I_O = 100\text{ mA}$	5, 7,	23
Clamp Pin Threshold Voltage	$V_{t\text{Clamp}}$		2.0		V		24	
Clamp Low Level Sinking Current	$I_{CL}$	0.35	1.1		A	$V_O = V_{EE} + 2.5$		8
High Level Supply Current	$I_{CC2H}$		2.5	5	mA	$I_O = 0\text{ mA}$	9, 10,	9
Low Level Supply Current	$I_{CC2L}$		2.5	5	mA	$I_O = 0\text{ mA}$	25,	
Blanking Capacitor Charging Current	$I_{CHG}$	-0.13	-0.24	-0.33	mA	$V_{DESAT} = 2\text{ V}$	26	9, 10
Blanking Capacitor Discharge Current	$I_{DSCHG}$	10	30		mA	$V_{DESAT} = 7.0\text{ V}$		28
DESAT Threshold	$V_{DESAT}$	6	6.5	7.5	V	$V_{CC2} - V_E > V_{UVLO-}$	12	9
UVLO Threshold	$V_{UVLO+}$	10.5	11.6	12.5	V	$V_O > 5\text{ V}$		7, 9,
	$V_{UVLO-}$	9.2	10.3	11.1	V	$V_O < 5\text{ V}$		11
UVLO Hysteresis	$(V_{UVLO+} - V_{UVLO-})$	0.4	1.3		V			7, 9,
Threshold Input Current Low to High	$I_{FLH}$		2.0	6	mA	$I_O = 0\text{ mA}$ , $V_O > 5\text{ V}$		12
Threshold Input Voltage High to Low	$V_{FHL}$	0.8			V			
Input Forward Voltage	$V_F$	1.2	1.6	1.95	V	$I_F = 10\text{ mA}$		
Temperature Coefficient of Input Forward Voltage	$\Delta V_F / \Delta T_A$		-1.3		$\text{mV}/^\circ\text{C}$			
Input Reverse Breakdown Voltage	$BV_R$	5			V	$I_R = 10\ \mu\text{A}$		
Input Capacitance	$C_{IN}$		70		pF	$f = 1\text{ MHz}$ , $V_F = 0\text{ V}$		

**Table 6. Switching Specifications (AC)**

Unless otherwise noted, all typical values at  $T_A = 25^\circ\text{C}$ ,  $V_{CC2} - V_{EE} = 30\text{ V}$ ,  $V_E - V_{EE} = 0\text{ V}$ ;  
all Minimum/Maximum specifications are at Recommended Operating Conditions. Only Positive Supply Voltage used.

Parameter	Symbol	Min.	Typ.	Max.	Units	Test Conditions	Fig.	Note
Propagation Delay Time to High Output Level	$t_{PLH}$	100	180	250	ns	$R_g = 10\ \Omega$ , $C_g = 10\ \text{nF}$ , $f = 10\ \text{kHz}$ ,	1, 13, 14, 15, 16, 29	13, 15
Propagation Delay Time to Low Output Level	$t_{PHL}$	100	180	250	ns	Duty Cycle = 50%, $I_F = 10\ \text{mA}$ , $V_{CC2} = 30\ \text{V}$	1, 13, 14, 15, 16, 29	
Pulse Width Distortion	PWD	-100	20	100	ns			14, 17
Propagation Delay Difference Between Any Two Parts or Channels	( $t_{PHL} - t_{PLH}$ ) PDD	-150		150	ns			17, 16
Rise Time	$t_R$		50		ns			
Fall Time	$t_F$		50		ns			
DESAT Sense to 90%VO Delay	$t_{DESAT(90\%)}$		0.15	0.5	$\mu\text{s}$	$C_{DESAT} = 100\ \text{pF}$ , $R_g = 10\ \Omega$ , $C_g = 10\ \text{nF}$ , $V_{CC2} = 30\ \text{V}$	17, 30, 37	19
DESAT Sense to 10% VO Delay	$t_{DESAT(10\%)}$		2	3	$\mu\text{s}$	$C_{DESAT} = 100\ \text{pF}$ , $R_g = 10\ \Omega$ , $C_g = 10\ \text{nF}$ , $V_{CC2} = 30\ \text{V}$	18, 19, 20, 30, 37	
DESAT Sense to Low Level FAULT Signal Delay	$t_{DESAT(FAULT)}$		0.25	0.5	$\mu\text{s}$	$C_{DESAT} = 100\ \text{pF}$ , $R_F = 2.1\ \text{k}\Omega$ , $C_F = \text{Open}$ , $R_g = 10\ \Omega$ , $C_g = 10\ \text{nF}$ , $V_{CC2} = 30\ \text{V}$	30, 37	18
			0.8			$C_{DESAT} = 100\ \text{pF}$ , $R_F = 2.1\ \text{k}\Omega$ , $C_F = 1\ \text{nF}$ , $R_g = 10\ \Omega$ , $C_g = 10\ \text{nF}$ , $V_{CC2} = 30\ \text{V}$		
DESAT Sense to DESAT Low Propagation Delay	$t_{DESAT(LOW)}$		0.25		$\mu\text{s}$	$C_{DESAT} = 100\ \text{pF}$ , $R_F = 2.1\ \text{k}\Omega$ , $R_g = 10\ \Omega$ , $C_g = 10\ \text{nF}$ , $V_{CC2} = 30\ \text{V}$	30, 37	19
DESAT Input Mute	$t_{DESAT(MUTE)}$	5			$\mu\text{s}$		37	20
RESET to High Level FAULT Signal Delay	$t_{RESET(FAULT)}$	0.3	1	2.0	$\mu\text{s}$	$C_{DESAT} = 100\ \text{pF}$ , $R_F = 2.1\ \text{k}\Omega$ , $R_g = 10\ \Omega$ , $C_g = 10\ \text{nF}$ , $V_{CC1} = 5.5\ \text{V}$ , $V_{CC2} = 30\ \text{V}$		
		0.8	1.5	2.5	$\mu\text{s}$	$C_{DESAT} = 100\ \text{pF}$ , $R_F = 2.1\ \text{k}\Omega$ , $R_g = 10\ \Omega$ , $C_g = 10\ \text{nF}$ , $V_{CC1} = 3.3\ \text{V}$ , $V_{CC2} = 30\ \text{V}$		
Output High Level Common Mode Transient Immunity	$ CM_H $	15	25		$\text{kV}/\mu\text{s}$	$T_A = 25^\circ\text{C}$ , $I_F = 10\ \text{mA}$ $V_{CM} = 1500\ \text{V}$ , $V_{CC2} = 30\ \text{V}$ , $R_F = 2.1\ \text{k}\Omega$ , $C_F = 15\ \text{pF}$	31, 32, 33, 34	21
		50	60			$T_A = 25^\circ\text{C}$ , $I_F = 10\ \text{mA}$ $V_{CM} = 1500\ \text{V}$ , $V_{CC2} = 30\ \text{V}$ , $R_F = 2.1\ \text{k}\Omega$ , $C_F = 1\ \text{nF}$		21, 26
Output Low Level Common Mode Transient Immunity	$ CM_L $	15	25		$\text{kV}/\mu\text{s}$	$T_A = 25^\circ\text{C}$ , $V_F = 0\ \text{V}$ $V_{CM} = 1500\ \text{V}$ , $V_{CC2} = 30\ \text{V}$ , $R_F = 2.1\ \text{k}\Omega$ , $C_F = 15\ \text{pF}$	31, 32, 33, 34	22
		50	60			$T_A = 25^\circ\text{C}$ , $V_F = 0\ \text{V}$ $V_{CM} = 1500\ \text{V}$ , $V_{CC2} = 30\ \text{V}$ , $R_F = 2.1\ \text{k}\Omega$ , $C_F = 1\ \text{nF}$		



**Table 7. Package Characteristics**

Parameter	Symbol	Min.	Typ.	Max.	Units	Test Conditions	Fig.	Note
Input-Output Momentary Withstand Voltage	$V_{ISO}$	5000			$V_{rms}$	RH < 50%, t = 1 min., $T_A = 25^\circ C$		24, 25
Input-Output Resistance	$R_{I-O}$		$> 10^9$		$\Omega$	$V_{I-O} = 500 V$		25
Input-Output Capacitance	$C_{I-O}$		1.3		pF	freq=1 MHz		
Output IC-to-Pins 9 & 10 Thermal Resistance	$\theta_{09-10}$		30		$^\circ C/W$	$T_A = 25^\circ C$		

## Notes:

- Derate linearly above 70°C free air temperature at a rate of 0.3 mA/°C.
- In order to achieve the absolute maximum power dissipation specified, pins 4, 9, and 10 require ground plane connections and may require airflow. See the Thermal Model section in the application notes at the end of this data sheet for details on how to estimate junction temperature and power dissipation. In most cases the absolute maximum output IC junction temperature is the limiting factor. The actual power dissipation achievable will depend on the application environment (PCB Layout, air flow, part placement, etc.). See the Recommended PCB Layout section in the application notes for layout considerations. Output IC power dissipation is derated linearly at 10 mW/°C above 90°C. Input IC power dissipation does not require derating.
- Maximum pulse width = 10  $\mu s$ . This value is intended to allow for component tolerances for designs with  $I_O$  peak minimum = 2.0 A. Derate linearly from 3.0 A at +25°C to 2.5 A at +105°C. This compensates for increased  $I_{OPEAK}$  due to changes in  $V_{OL}$  over temperature.
- This supply is optional. Required only when negative gate drive is implemented.
- Maximum pulse width = 50  $\mu s$ .
- See the Slow IGBT Gate Discharge During Fault Condition section in the applications notes at the end of this data sheet for further details.
- 15 V is the recommended minimum operating positive supply voltage ( $V_{CC2} - V_E$ ) to ensure adequate margin in excess of the maximum  $V_{UVLO+}$  threshold of 12.5V. For High Level Output Voltage testing,  $V_{OH}$  is measured with a dc load current. When driving capacitive loads,  $V_{OH}$  will approach  $V_{CC}$  as  $I_{OH}$  approaches zero units.
- Maximum pulse width = 1.0 ms.
- Once  $V_O$  of the ACPL-332J is allowed to go high ( $V_{CC2} - V_E > V_{UVLO+}$ ), the DESAT detection feature of the ACPL-332J will be the primary source of IGBT protection. UVLO is needed to ensure DESAT is functional. Once  $V_{CC2}$  is increased from 0V to above  $V_{UVLO+}$ , DESAT will remain functional until  $V_{CC2}$  is decreased below  $V_{UVLO-}$ . Thus, the DESAT detection and UVLO features of the ACPL-332J work in conjunction to ensure constant IGBT protection.
- See the DESAT fault detection blanking time section in the applications notes at the end of this data sheet for further details.
- This is the "increasing" (i.e. turn-on or "positive going" direction) of  $V_{CC2} - V_E$
- This is the "decreasing" (i.e. turn-off or "negative going" direction) of  $V_{CC2} - V_E$
- This load condition approximates the gate load of a 1200 V/150A IGBT.
- Pulse Width Distortion (PWD) is defined as  $|t_{PHL} - t_{PLH}|$  for any given unit.
- As measured from  $I_F$  to  $V_O$ .
- The difference between  $t_{PHL}$  and  $t_{PLH}$  between any two ACPL-332J parts under the same test conditions.
- As measured from ANODE, CATHODE of LED to  $V_{OUT}$
- This is the amount of time from when the DESAT threshold is exceeded, until the FAULT output goes low.
- This is the amount of time the DESAT threshold must be exceeded before  $V_{OUT}$  begins to go low, and the FAULT output to go low. This is supply voltage dependent.
- Auto Reset: This is the amount of time when  $V_{OUT}$  will be asserted low after DESAT threshold is exceeded. See the Description of Operation (Auto Reset) topic in the application information section.
- Common mode transient immunity in the high state is the maximum tolerable  $dV_{CM}/dt$  of the common mode pulse,  $V_{CM}$ , to assure that the output will remain in the high state (i.e.,  $V_O > 15 V$  or FAULT > 2 V).
- Common mode transient immunity in the low state is the maximum tolerable  $dV_{CM}/dt$  of the common mode pulse,  $V_{CM}$ , to assure that the output will remain in a low state (i.e.,  $V_O < 1.0 V$  or FAULT < 0.8 V).
- To clamp the output voltage at  $V_{CC} - 3 V_{BE}$ , a pull-down resistor between the output and  $V_{EE}$  is recommended to sink a static current of 650  $\mu A$  while the output is high. See the Output Pull-Down Resistor section in the application notes at the end of this data sheet if an output pull-down resistor is not used.
- In accordance with UL 1577, each optocoupler is proof tested by applying an insulation test voltage  $\geq 6000 V_{rms}$  for 1 second. This test is performed before the 100% production test for partial discharge (method b) shown in IEC/EN/DIN EN 60747-5-5 Insulation Characteristic Table.
- This is a two-terminal measurement: pins 1-8 are shorted together and pins 9-16 are shorted together.
- Split resistors network with a ratio of 1:1 is needed at input LED1. See Figure 34.

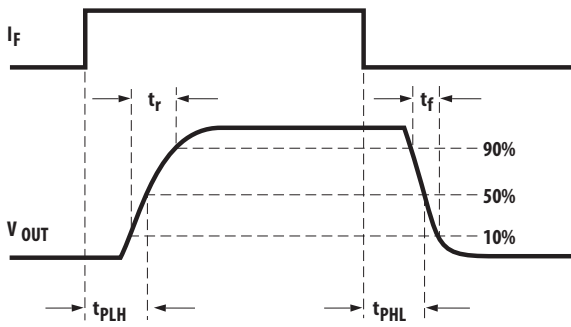


Figure 1. VOUT propagation delay waveforms

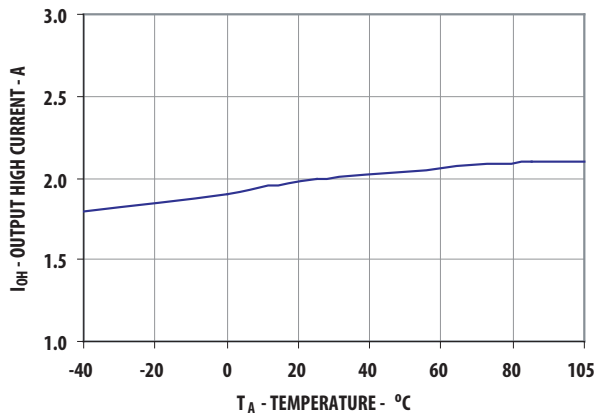


Figure 2. I<sub>OH</sub> vs. temperature

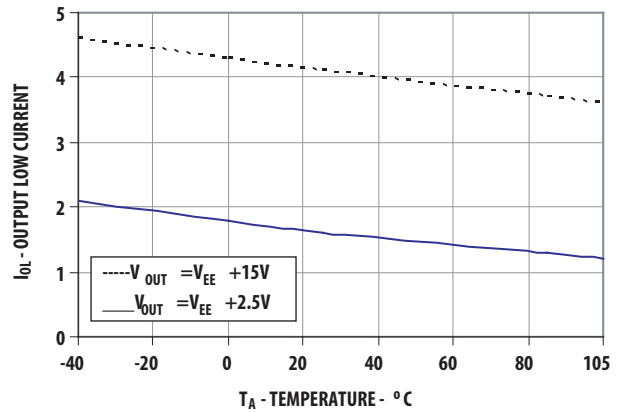


Figure 3. I<sub>OL</sub> vs. temperature

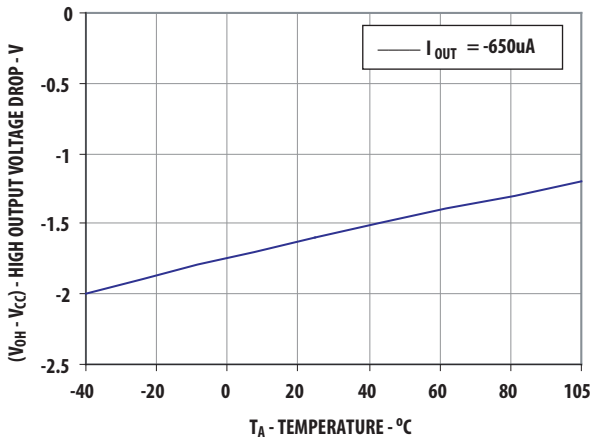


Figure 4. V<sub>OH</sub> vs. temperature

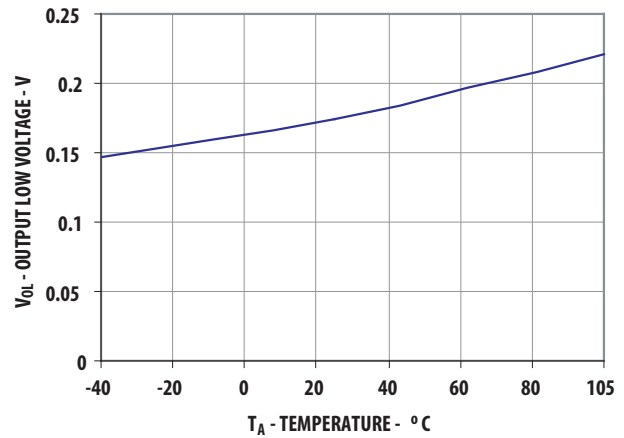


Figure 5. V<sub>OL</sub> vs. temperature

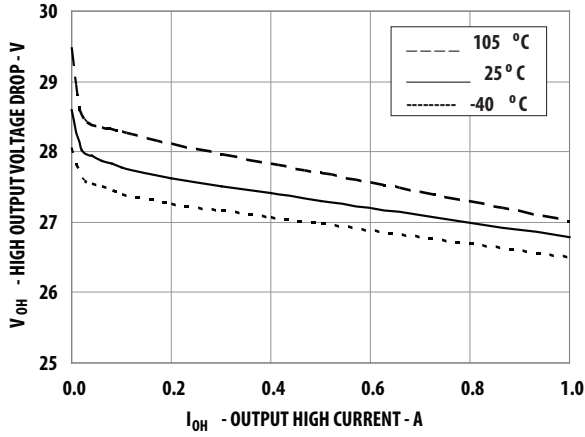


Figure 6.  $V_{OH}$  vs.  $I_{OH}$

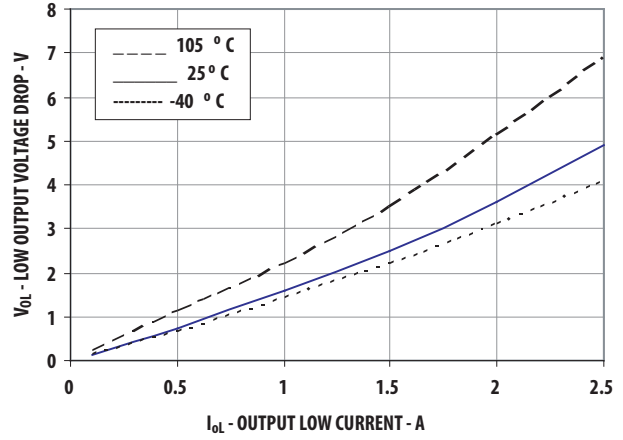


Figure 7.  $V_{OL}$  vs.  $I_{OL}$

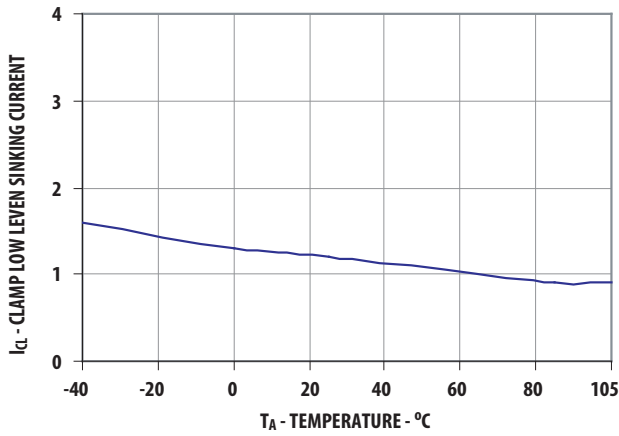


Figure 8.  $I_{CL}$  vs. temperature

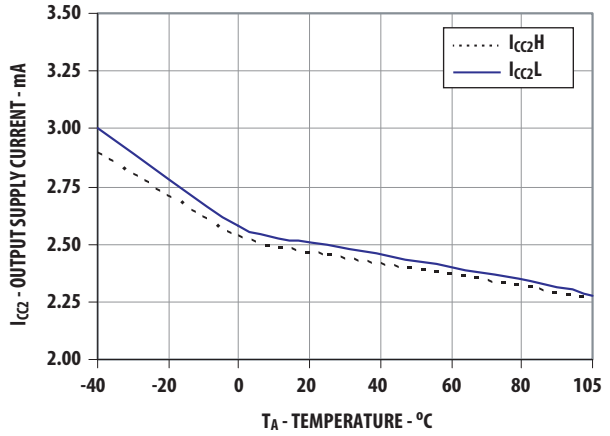


Figure 9.  $I_{CC2}$  vs. temperature

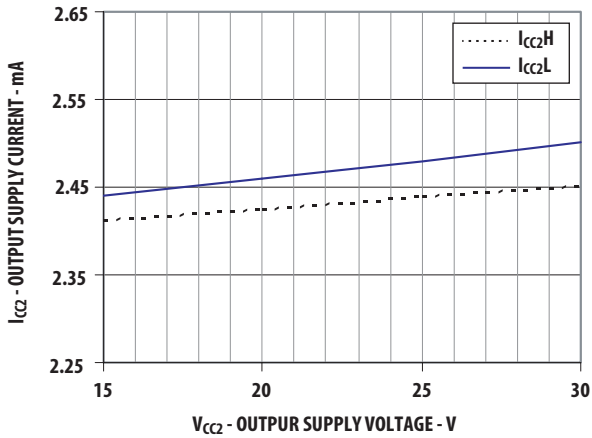


Figure 10.  $I_{CC2}$  vs.  $V_{CC2}$

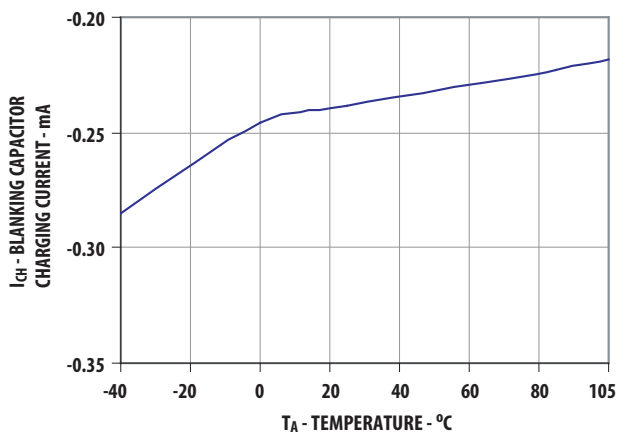


Figure 11.  $I_{CHG}$  vs. temperature

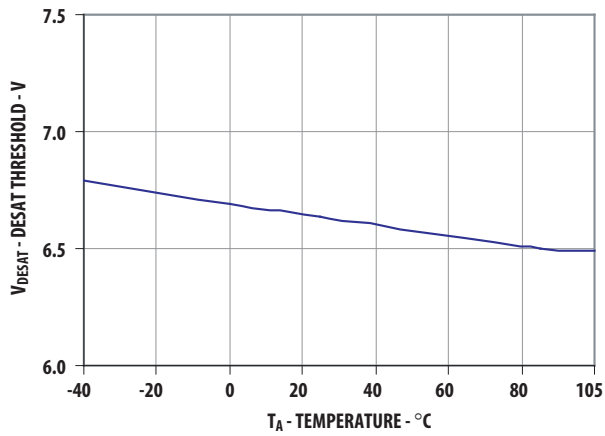


Figure 12. DESAT threshold vs. temperature

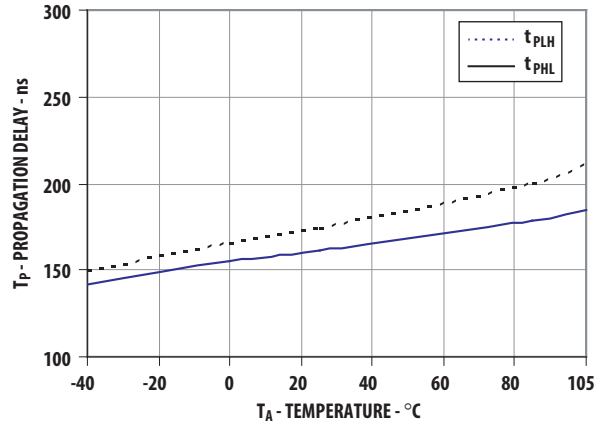


Figure 13. Propagation delay vs. temperature

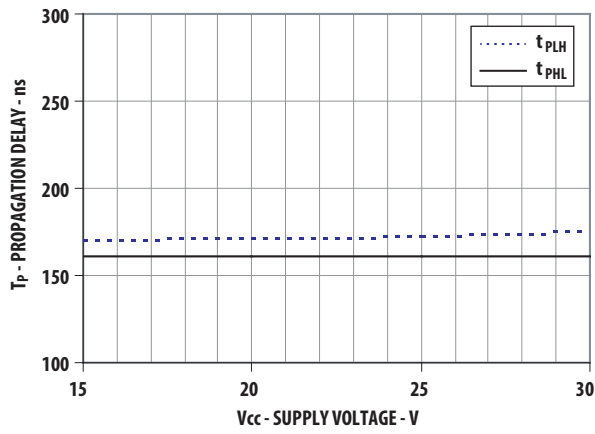


Figure 14. Propagation delay vs. supply voltage

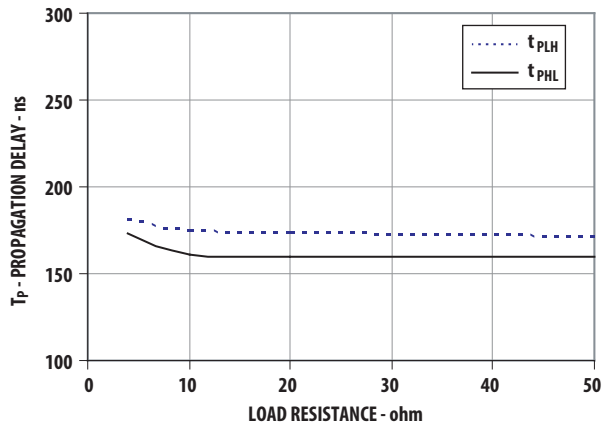


Figure 15. Propagation delay vs. load resistance

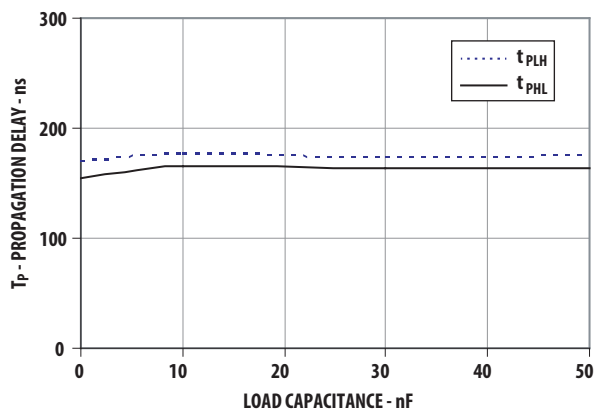


Figure 16. Propagation delay vs. load capacitance

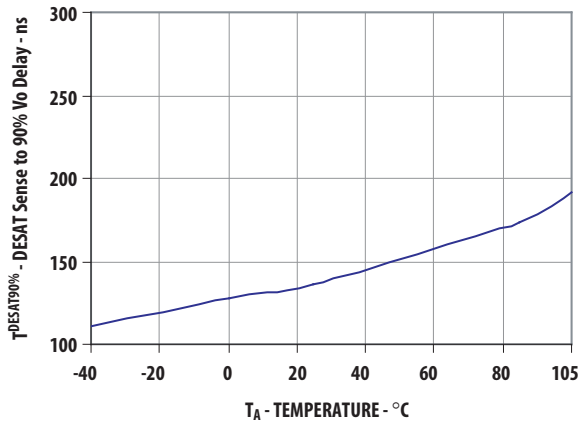


Figure 17. DESAT sense to 90% VOUT delay vs. temperature

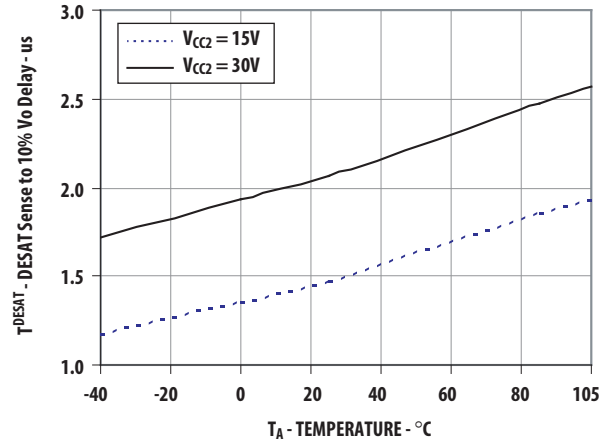


Figure 18. DESAT sense to 10% VOUT delay vs. temperature

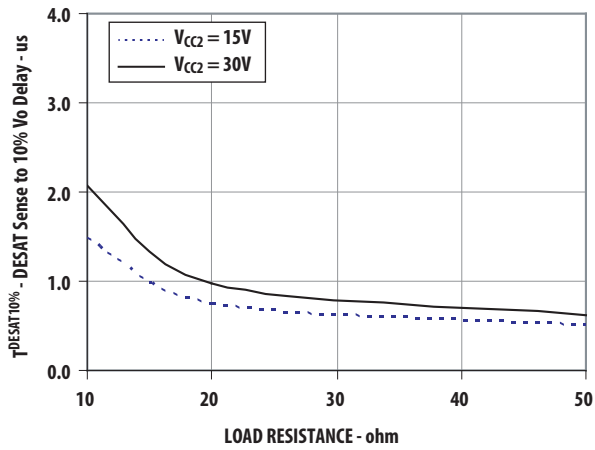


Figure 19. DESAT sense to 10% VOUT delay vs. load resistance

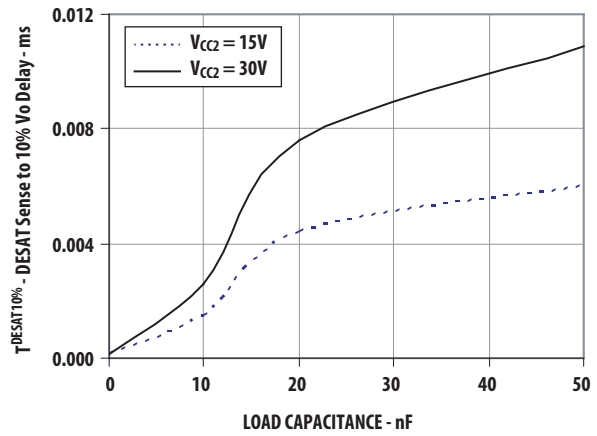


Figure 20. DESAT sense to 10% VOUT delay vs. load capacitance

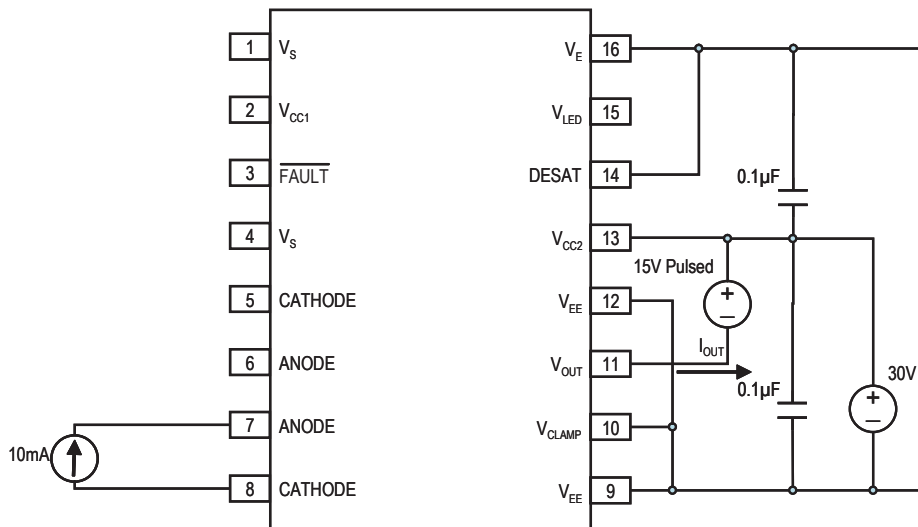


Figure 21.  $I_{OH}$  Pulsed test circuit

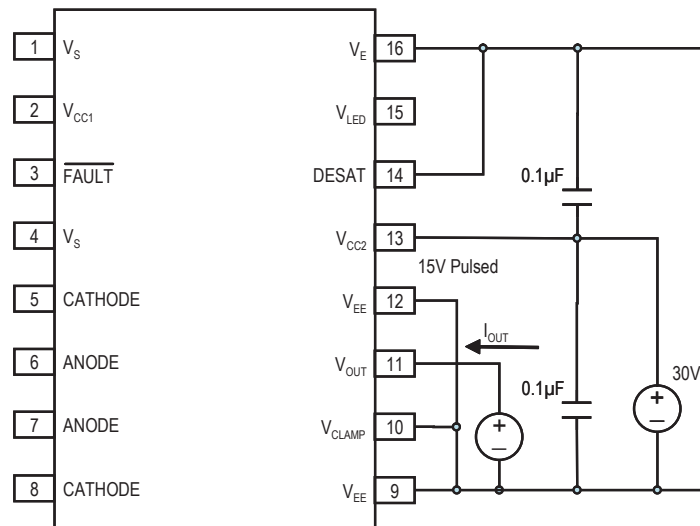


Figure 22.  $I_{OL}$  Pulsed test circuit

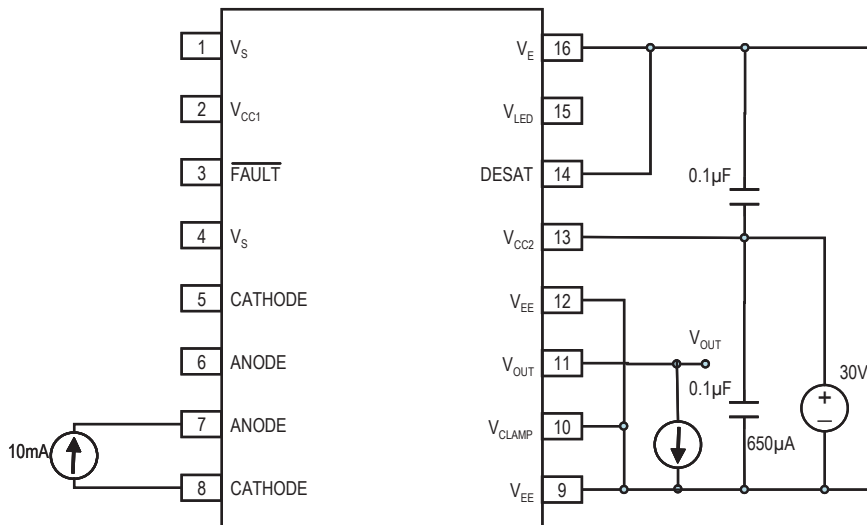


Figure 23.  $V_{OH}$  Pulsed test circuit

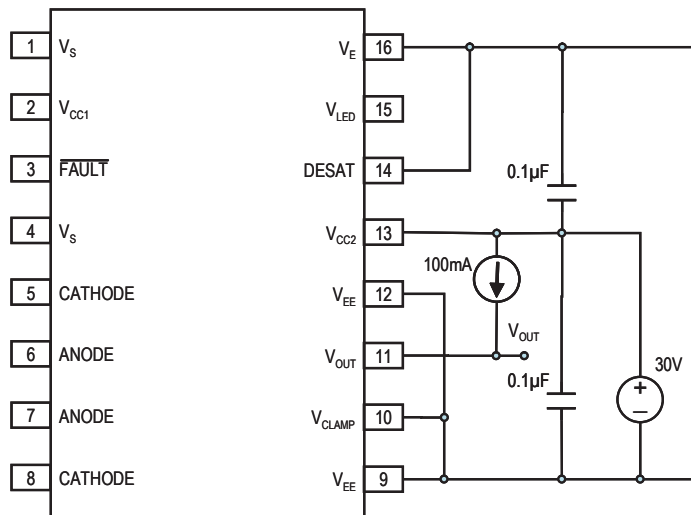


Figure 24.  $V_{OL}$  Pulsed test circuit

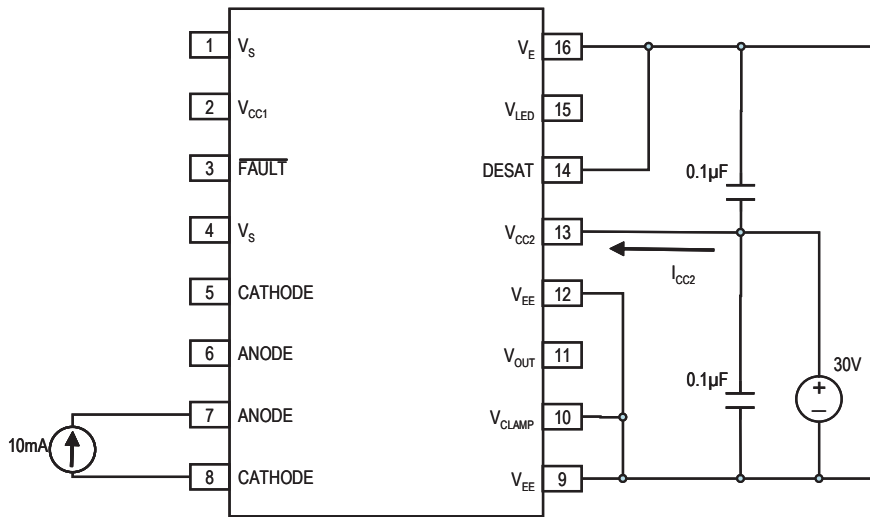


Figure 25.  $I_{CC2H}$  test circuit

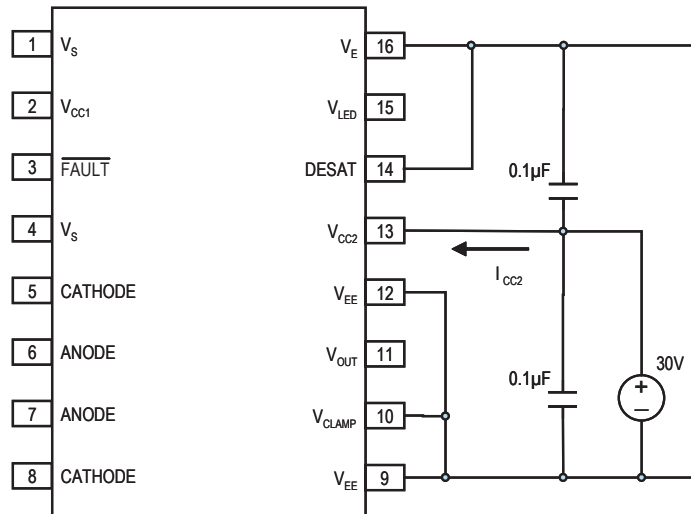


Figure 26.  $I_{CC2L}$  test circuit

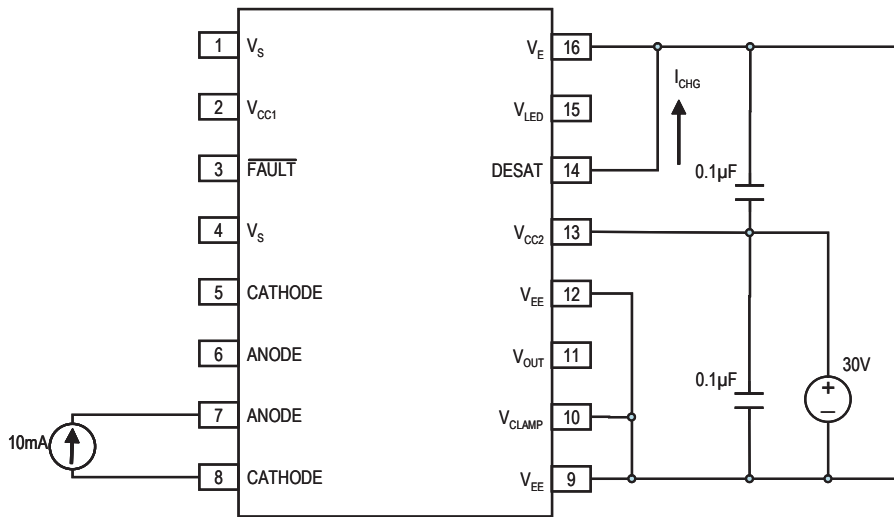


Figure 27.  $I_{CHG}$  Pulsed test circuit

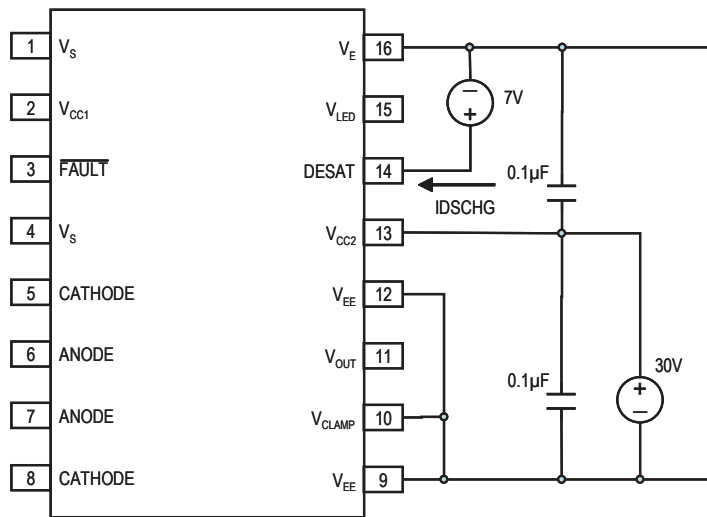


Figure 28.  $I_{DSCHG}$  test circuit

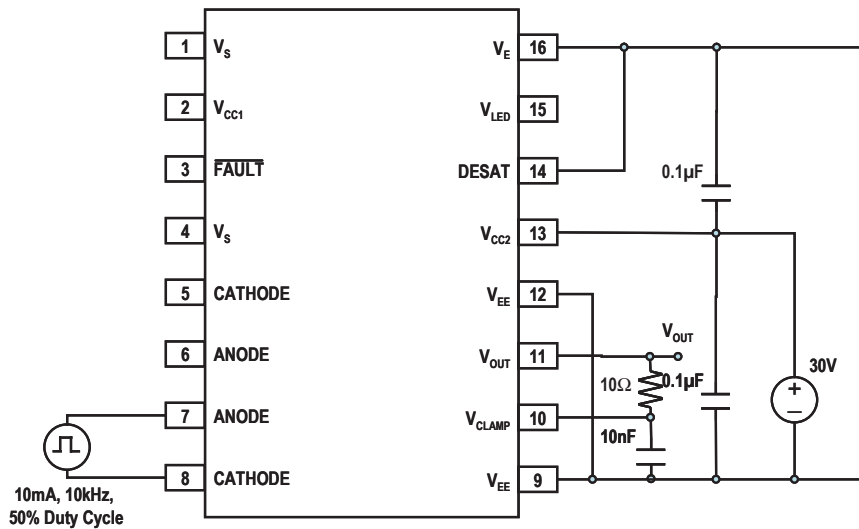


Figure 29.  $t_{PLH}$ ,  $t_{PHL}$ ,  $t_f$ ,  $t_r$  test circuit



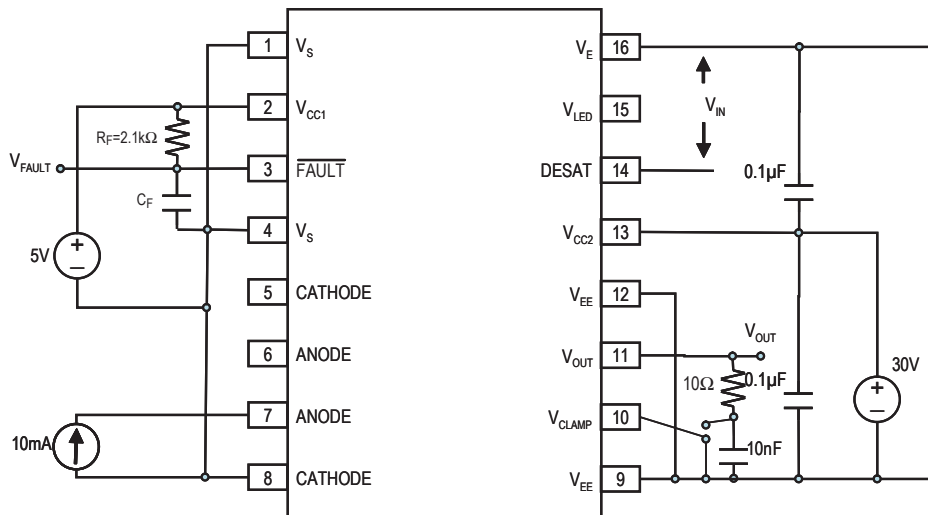


Figure 30.  $t_{DESAT}$  fault test circuit

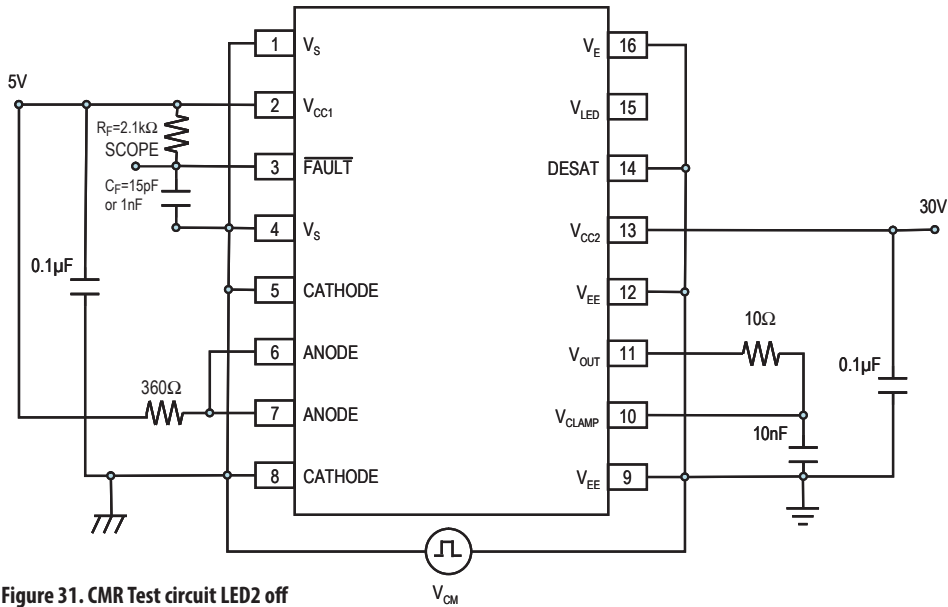


Figure 31. CMR Test circuit LED2 off

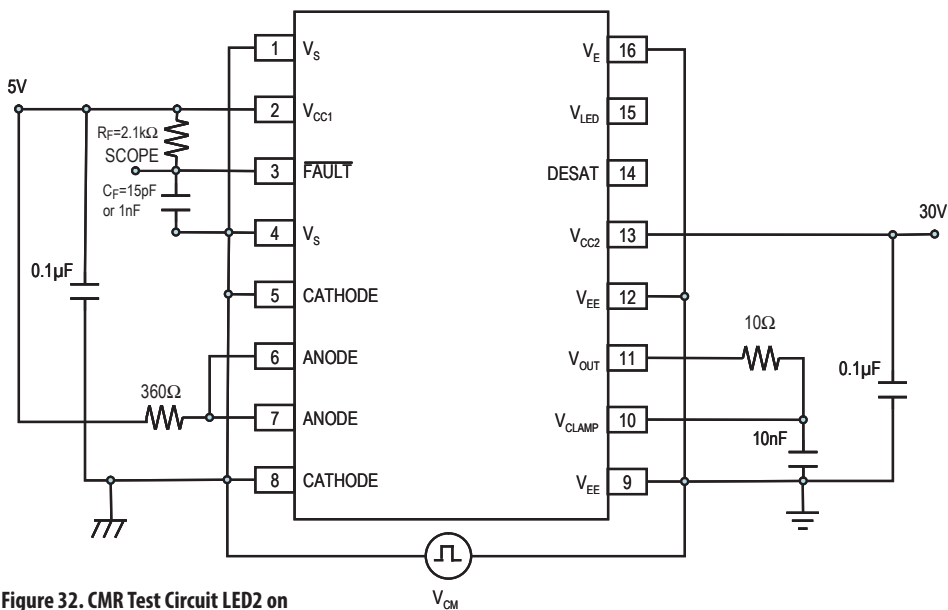


Figure 32. CMR Test Circuit LED2 on

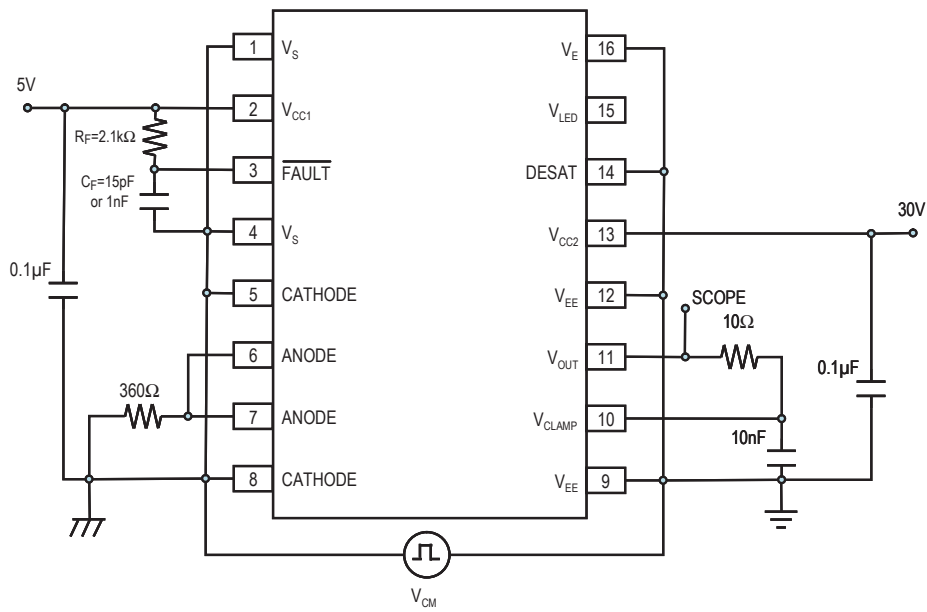


Figure 33. CMR Test circuit LED1 off

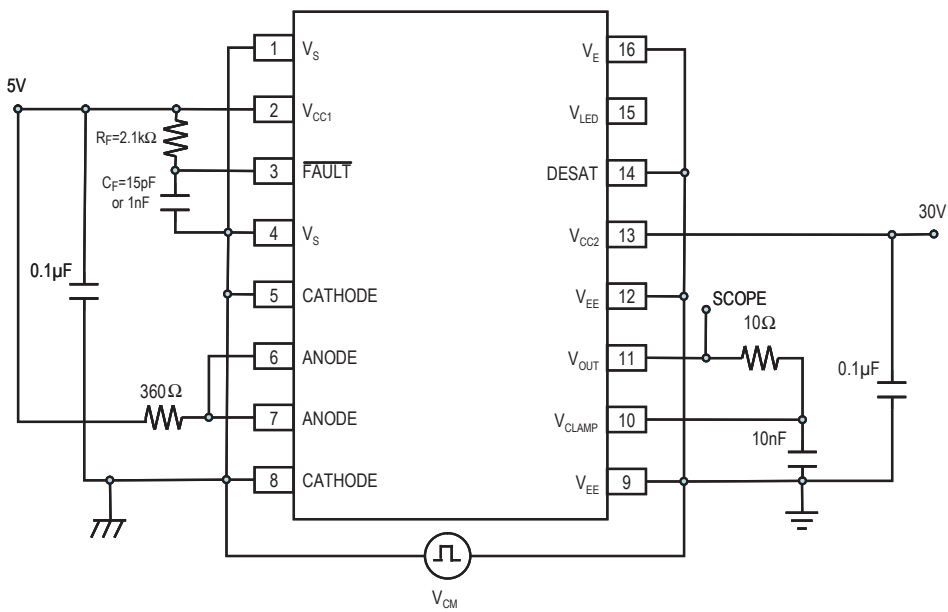


Figure 34. CMR Test Circuit LED1 on

## Application Information

### Product Overview Description

The ACPL-332J is a highly integrated power control device that incorporates all the necessary components for a complete, isolated IGBT / MOSFET gate drive circuit with fault protection and feedback into one SO-16 package. Active Miller clamp function eliminates the need of negative gate drive in most application and allows the use of simple bootstrap supply for high side driver. An optically isolated power output stage drives IGBTs with power ratings of up to 150 A and 1200 V. A high speed internal optical link minimizes the propagation delays between the microcontroller and the IGBT while allowing the two systems to operate at very large common mode voltage differences that are common in industrial motor drives and other power switching applications. An output IC provides local protection for the IGBT to prevent damage during over current, and a second optical link provides a fully isolated fault status feedback signal for the microcontroller. A built in “watchdog” circuit, UVLO monitors the power stage supply voltage to prevent IGBT caused by insufficient gate drive voltages. This integrated IGBT gate driver is designed to increase the performance and reliability of a motor drive without the cost, size, and complexity of a discrete design.

Two light emitting diodes and two integrated circuits housed in the same SO-16 package provide the input control circuitry, the output power stage, and two optical channels. The output Detector IC is designed manufactured on a high voltage BiCMOS/Power DMOS process. The forward optical signal path, as indicated by LED1, transmits the gate control signal. The return optical signal path, as indicated by LED2, transmits the fault status feedback signal.

Under normal operation, the LED1 directly controls the IGBT gate through the isolated output detector IC, and LED2 remains off. When an IGBT fault is detected, the output detector IC immediately begins a “soft” shutdown sequence, reducing the IGBT current to zero in a controlled manner to avoid potential IGBT damage from inductive over voltages. Simultaneously, this fault status is transmitted back to the input via LED2, where the fault latch disables the gate control input and the active low fault output alerts the microcontroller.

During power-up, the Under Voltage Lockout (UVLO) feature prevents the application of insufficient gate voltage to the IGBT, by forcing the ACPL-332J’s output low. Once the output is in the high state, the DESAT (VCE) detection feature of the ACPL-332J provides IGBT protection. Thus, UVLO and DESAT work in conjunction to provide constant IGBT protection.

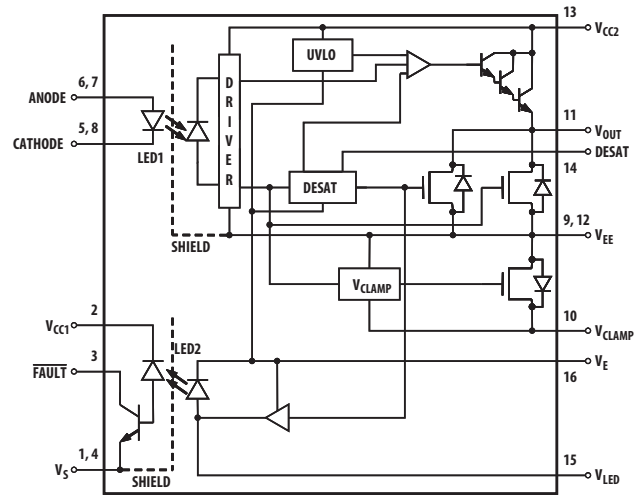


Figure 35. Block Diagram of ACPL-332J

### Recommended Application Circuit

The ACPL-332J has an LED input gate control, and an open collector fault output suitable for wired ‘OR’ applications. The recommended application circuit shown in Figure 36 illustrates a typical gate drive implementation using the ACPL-332J. The following describes about driving IGBT. However, it is also applicable to MOSFET. Depending upon the MOSFET or IGBT gate threshold requirements, designers may want to adjust the VCC supply voltage (Recommended  $V_{CC} = 17.5V$  for IGBT and  $12.5V$  for MOSFET).

The two supply bypass capacitors ( $0.1 \mu F$ ) provide the large transient currents necessary during a switching transition. Because of the transient nature of the charging currents, a low current ( $5mA$ ) power supply suffices. The desaturation diode  $D_{DESAT}$  600V/1200V fast recovery type,  $t_{rr}$  below  $75ns$  (e.g. ERA34-10) and capacitor  $C_{BLANK}$  are necessary external components for the fault detection circuitry. The gate resistor  $R_G$  serves to limit gate charge current and controls the IGBT collector voltage rise and fall times. The open collector fault output has a passive pull-up resistor  $R_F$  ( $2.1 k\Omega$ ) and a  $1000 pF$  filtering capacitor,  $C_F$ . A  $47 k\Omega$  pull down resistor  $R_{PULL-DOWN}$  on  $V_{OUT}$  provides a predictable high level output voltage ( $V_{OH}$ ). In this application, the IGBT gate driver will shut down when a fault is detected and fault reset by next cycle of IGBT turn on. Application notes are mentioned at the end of this datasheet.

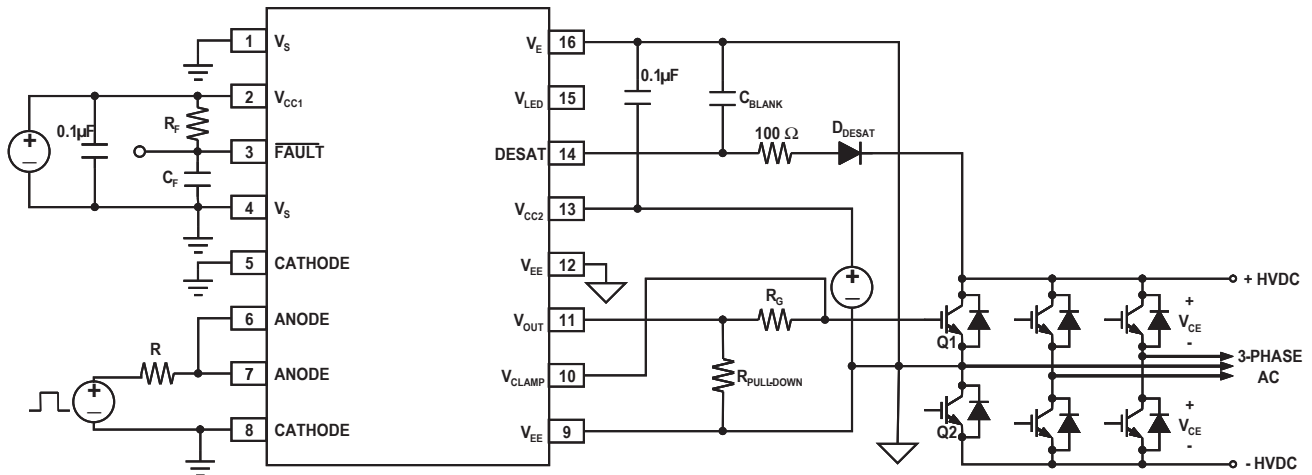


Figure 36. Recommended application circuit (Single Supply) with desaturation detection and active Miller Clamp

## Description of Operation

### Normal Operation

During normal operation,  $V_{OUT}$  of the ACPL-332J is controlled by input LED current  $I_F$  (pins 5, 6, 7 and 8), with the IGBT collector-to-emitter voltage being monitored through DESAT. The FAULT output is high. See Figure 37.

### Fault Condition

The DESAT pin monitors the IGBT  $V_{ce}$  voltage. When the voltage on the DESAT pin exceeds 6.5 V while the IGBT is on,  $V_{OUT}$  is slowly brought low in order to “softly” turn-off the IGBT and prevent large di/dt induced voltages. Also

activated is an internal feedback channel which brings the FAULT output low for the purpose of notifying the micro-controller of the fault condition.

### Fault Reset

Once fault is detected, the output will be muted for 5  $\mu$ s (minimum). All input LED signals will be ignored during the mute period to allow the driver to completely soft shut-down the IGBT. The fault mechanism can be reset by the next LED turn-on after the 5 $\mu$ s (minimum) mute time. See Figure 37.

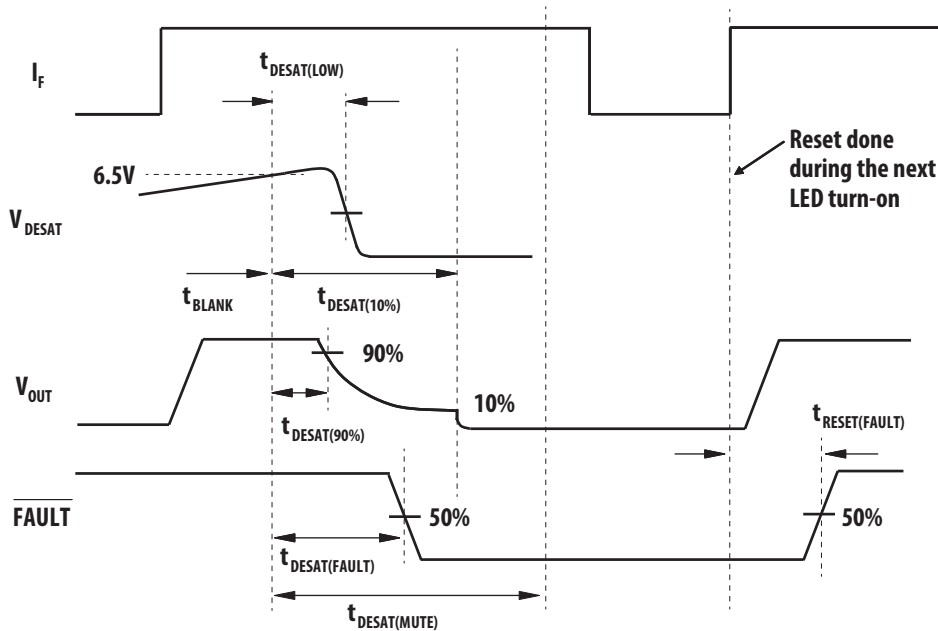


Figure 37. Fault Timing diagram

## Output Control

The outputs ( $V_{OUT}$  and FAULT) of the ACPL-332J are controlled by the combination of  $I_F$ , UVLO and a detected IGBT Desat condition. Once UVLO is not active ( $V_{CC2} - V_E > V_{UVLO}$ ),  $V_{OUT}$  is allowed to go high, and the DESAT (pin 14) detection feature of the ACPL-332J will be the primary source of IGBT protection. Once  $V_{CC2}$  is increased from 0V to above  $V_{UVLO+}$ , DESAT will remain functional until  $V_{CC2}$  is decreased below  $V_{UVLO-}$ . Thus, the DESAT detection and UVLO features of the ACPL-332J work in conjunction to ensure constant IGBT protection.

## Desaturation Detection and High Current Protection

The ACPL-332J satisfies these criteria by combining a high speed, high output current driver, high voltage optical isolation between the input and output, local IGBT desaturation detection and shut down, and an optically isolated fault status feedback signal into a single 16-pin surface mount package.

The fault detection method, which is adopted in the ACPL-332J, is to monitor the saturation (collector) voltage of the IGBT and to trigger a local fault shutdown sequence if the collector voltage exceeds a predetermined threshold. A small gate discharge device slowly reduces the high short circuit IGBT current to prevent damaging voltage spikes. Before the dissipated energy can reach destructive levels, the IGBT is shut off. During the off state of the IGBT, the fault detect circuitry is simply disabled to prevent false 'fault' signals.

The alternative protection scheme of measuring IGBT current to prevent desaturation is effective if the short circuit capability of the power device is known, but this method will fail if the gate drive voltage decreases enough to only partially turn on the IGBT. By directly measuring the collector voltage, the ACPL-332J limits the power dissipation in the IGBT even with insufficient gate drive voltage. Another more subtle advantage of the desaturation detection method is that power dissipation in the IGBT is monitored, while the current sense method relies on a preset current threshold to predict the safe limit of operation. Therefore, an overly conservative over current threshold is not needed to protect the IGBT.

## Slow IGBT Gate Discharge during Fault Condition

When a desaturation fault is detected, a weak pull-down device in the ACPL-332J output drive stage will turn on to 'softly' turn off the IGBT. This device slowly discharges the IGBT gate to prevent fast changes in drain current that could cause damaging voltage spikes due to lead and wire inductance. During the slow turn off, the large output pull-down device remains off until the output voltage falls below  $V_{EE} + 2$  Volts, at which time the large pull down device clamps the IGBT gate to  $V_{EE}$ .

## DESAT Fault Detection Blanking Time

The DESAT fault detection circuitry must remain disabled for a short time period following the turn-on of the IGBT to allow the collector voltage to fall below the DESAT threshold. This time period, called the DESAT blanking time is controlled by the internal DESAT charge current, the DESAT voltage threshold, and the external DESAT capacitor.

The nominal blanking time is calculated in terms of external capacitance ( $C_{BLANK}$ ), FAULT threshold voltage ( $V_{DESAT}$ ), and DESAT charge current ( $I_{CHG}$ ) as  $t_{BLANK} = C_{BLANK} \times V_{DESAT} / I_{CHG}$ . The nominal blanking time with the recommended 100pF capacitor is  $100\text{pF} \times 6.5\text{V} / 240\text{ }\mu\text{A} = 2.7\text{ }\mu\text{sec}$ .

The capacitance value can be scaled slightly to adjust the blanking time, though a value smaller than 100 pF is not recommended. This nominal blanking time represents the longest time it will take for the ACPL-332J to respond to a DESAT fault condition. If the IGBT is turned on while the collector and emitter are shorted to the supply rails (switching into a short), the soft shut-down sequence will begin after approximately 3  $\mu\text{sec}$ . If the IGBT collector and emitter are shorted to the supply rails after the IGBT is already on, the response time will be much quicker due to the parasitic parallel capacitance of the DESAT diode. The recommended 100pF capacitor should provide adequate blanking as well as fault response times for most applications.

$I_F$	UVLO( $V_{CC2}-V_E$ )	DESAT Function	Pin 3 (FAULT) Output	$V_{OUT}$
ON	Active	Not Active	High	Low
ON	Not Active	Active (with DESAT fault)	Low (FAULT)	Low
ON	Not Active	Active (no DESAT fault)	High (or no fault)	High
OFF	Active	Not Active	High	Low
OFF	Not Active	Not Active	High	Low

## Under Voltage Lockout

The ACPL-332J Under Voltage Lockout (UVLO) feature is designed to prevent the application of insufficient gate voltage to the IGBT by forcing the ACPL-332J output low during power-up. IGBTs typically require gate voltages of 15 V to achieve their rated  $V_{CE(ON)}$  voltage. At gate voltages below 13 V typically, the  $V_{CE(ON)}$  voltage increases dramatically, especially at higher currents. At very low gate voltages (below 10 V), the IGBT may operate in the linear region and quickly overheat. The UVLO function causes the output to be clamped whenever insufficient operating supply ( $V_{CC2}$ ) is applied. Once  $V_{CC2}$  exceeds  $V_{UVLO+}$  (the positive-going UVLO threshold), the UVLO clamp is released to allow the device output to turn on in response to input signals. As  $V_{CC2}$  is increased from 0 V (at some level below  $V_{UVLO+}$ ), first the DESAT protection circuitry becomes active. As  $V_{CC2}$  is further increased (above  $V_{UVLO+}$ ), the UVLO clamp is released. Before the time the UVLO clamp is released, the DESAT protection is already active. Therefore, the UVLO and DESAT Fault detection feature work together to provide seamless protection regardless of supply voltage ( $V_{CC2}$ ).

## Active Miller Clamp

A Miller clamp allows the control of the Miller current during a high  $dV/dt$  situation and can eliminate the use of a negative supply voltage in most of the applications. During turn-off, the gate voltage is monitored and the clamp output is activated when gate voltage goes below 2V (relative to  $V_{EE}$ ). The clamp voltage is  $V_{OL}+2.5V$  typ for a Miller current up to 1100mA. The clamp is disabled when the LED input is triggered again.

## Other Recommended Components

The application circuit in Figure 36 includes an output pull-down resistor, a DESAT pin protection resistor, a FAULT pin capacitor, and a FAULT pin pullup resistor and Active Miller Clamp connection.

## Output Pull-Down Resistor

During the output high transition, the output voltage rapidly rises to within 3 diode drops of  $V_{CC2}$ . If the output current then drops to zero due to a capacitive load, the output voltage will slowly rise from roughly  $V_{CC2}-3(V_{BE})$  to  $V_{CC2}$  within a period of several microseconds. To limit the output voltage to  $V_{CC2}-3(V_{BE})$ , a pull-down resistor,  $R_{PULL-DOWN}$  between the output and  $V_{EE}$  is recommended to sink a static current of several 650  $\mu A$  while the output is high. Pull-down resistor values are dependent on the amount of positive supply and can be adjusted according to the formula,  $R_{pull-down} = [V_{CC2}-3 * (V_{BE})] / 650 \mu A$ .

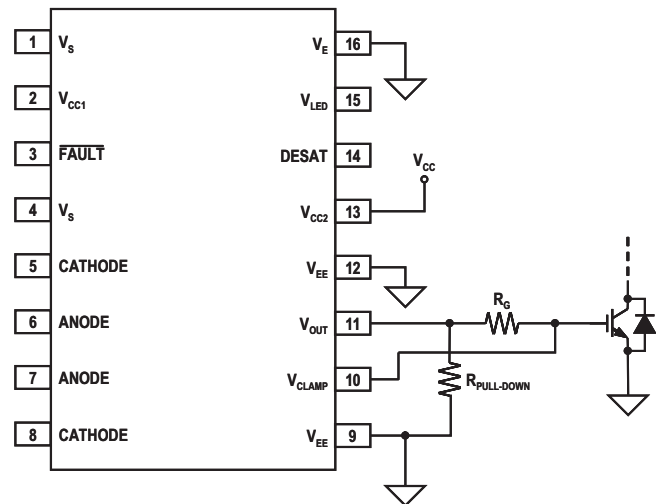


Figure 38. Output pull-down resistor.

## DESAT Pin Protection Resistor

The freewheeling of flyback diodes connected across the IGBTs can have large instantaneous forward voltage transients which greatly exceed the nominal forward voltage of the diode. This may result in a large negative voltage spike on the DESAT pin which will draw substantial current out of the driver if protection is not used. To limit this current to levels that will not damage the driver IC, a 100 ohm resistor should be inserted in series with the DESAT diode. The added resistance will not alter the DESAT threshold or the DESAT blanking time.

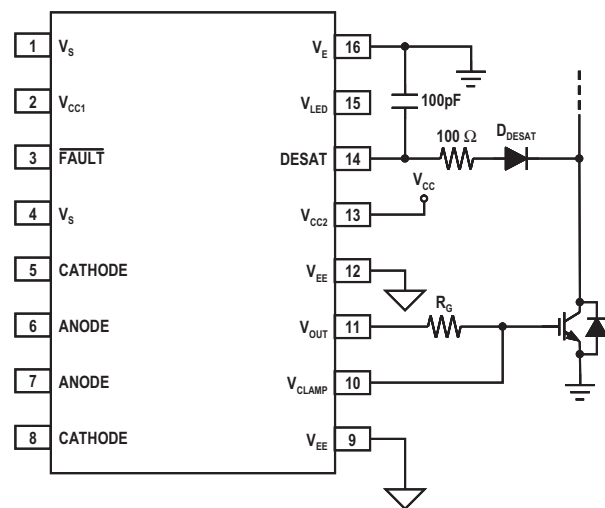


Figure 39. DESAT pin protection.

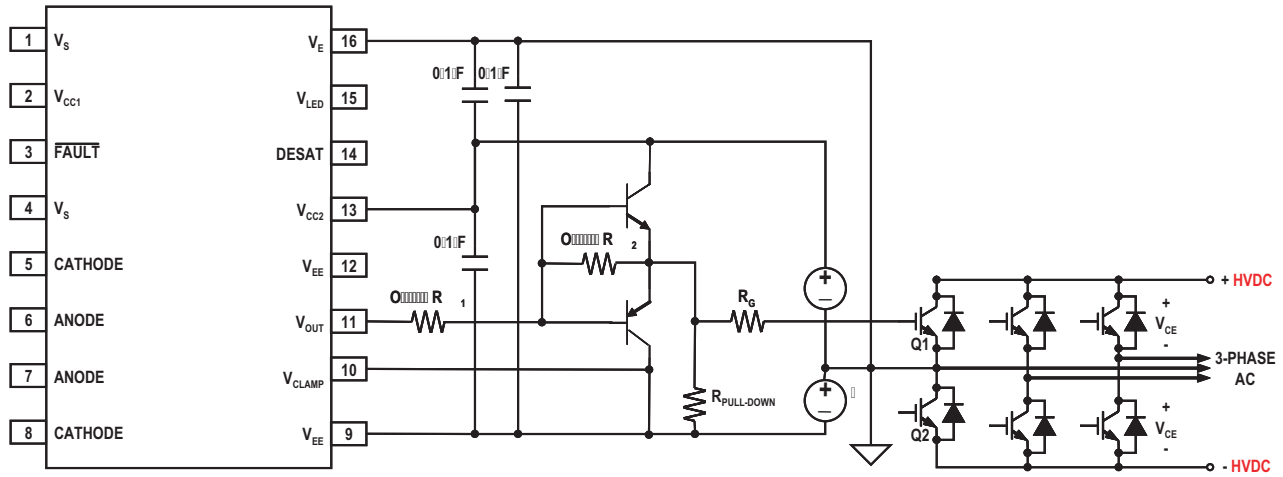
## Capacitor on FAULT Pin for High CMR

Rapid common mode transients can affect the fault pin voltage while the fault output is in the high state. A 1000 pF capacitor should be connected between the fault pin and ground to achieve adequate CMOS noise margins at the specified CMR value of 50 kV/ $\mu s$ .

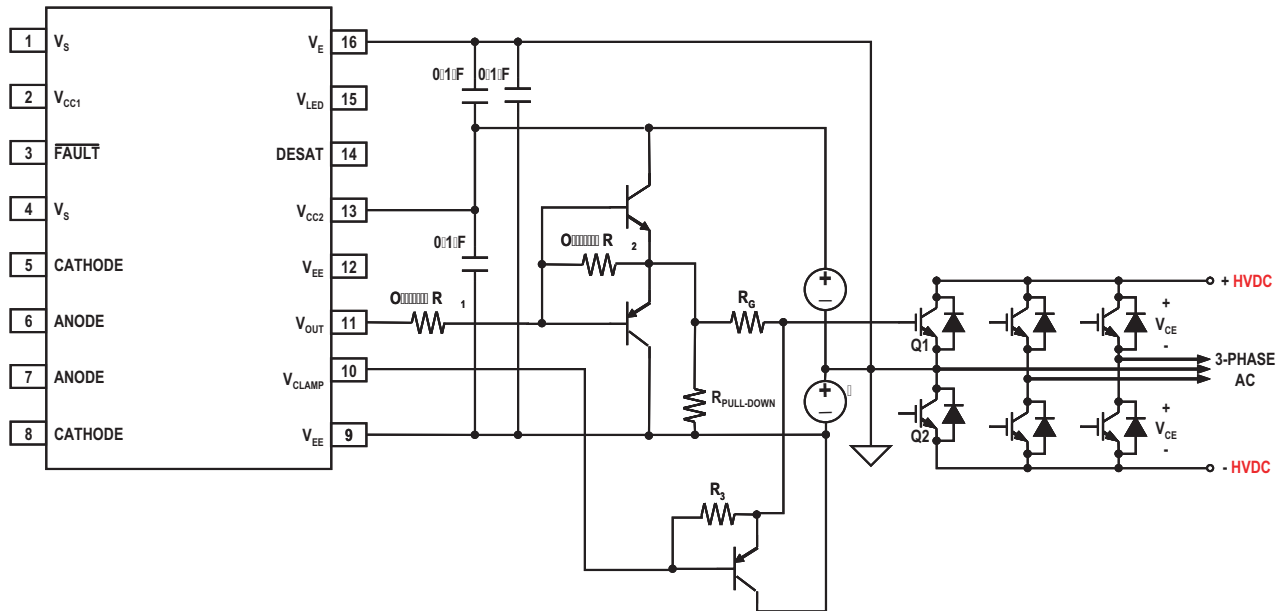
### Pull-up Resistor on FAULT Pin

The FAULT pin is an open collector output and therefore requires a pull-up resistor to provide a high-level signal. Also the FAULT output can be wire 'OR'ed together with other types of protection (e.g. over-temperature, over-voltage, over-current ) to alert the microcontroller.

### Other Possible Application Circuit (Output Stage)



**Figure 40. IGBT drive with negative gate drive, external booster and desaturation detection ( $V_{CLAMP}$  should be connected to  $V_{EE}$  when it is not used)  $V_{CLAMP}$  is used as secondary gate discharge path. \* indicates component required for negative gate drive topology**



**Figure 41. Large IGBT drive with negative gate drive, external booster.  $V_{CLAMP}$  control secondary discharge path for higher power application.**

## Thermal Model

The ACPL-332J is designed to dissipate the majority of the heat through pins 1, 4, 5 & 8 for the input IC and pins 9 & 12 for the output IC. (There are two  $V_{EE}$  pins on the output side, pins 9 and 12, for this purpose.) Heat flow through other pins or through the package directly into ambient are considered negligible and not modeled here.

In order to achieve the power dissipation specified in the absolute maximum specification, it is imperative that pins 5, 9, and 12 have ground planes connected to them. As long as the maximum power specification is not exceeded, the only other limitation to the amount of power one can dissipate is the absolute maximum junction temperature specification of 125°C. The junction temperatures can be calculated with the following equations:

$$T_{ji} = P_i (\theta_{i5} + \theta_{5A}) + T_A$$

$$T_{jo} = P_o (\theta_{o9,12} + \theta_{9,12A}) + T_A$$

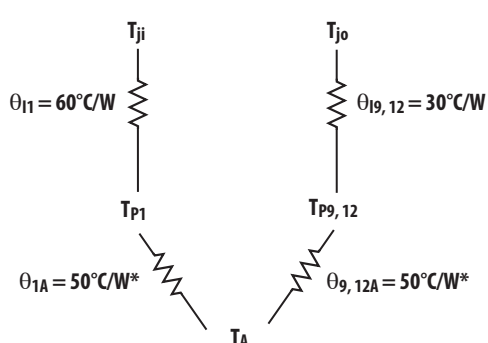
where  $P_i$  = power into input IC and  $P_o$  = power into output IC. Since  $\theta_{5A}$  and  $\theta_{9,12A}$  are dependent on PCB layout and airflow, their exact number may not be available. Therefore, a more accurate method of calculating the junction temperature is with the following equations:

$$T_{ji} = P_i \theta_{i5} + T_{P5}$$

$$T_{jo} = P_o \theta_{o9,12} + T_{P9,12}$$

These equations, however, require that the pin 5 and pins 9, 12 temperatures be measured with a thermal couple on the pin at the ACPL-332J package edge.

If the calculated junction temperatures for the thermal model in Figure 42 is higher than 125°C, the pin temperature for pins 9 and 12 should be measured (at the package edge) under worst case operating environment for a more accurate estimate of the junction temperatures.



$T_{ji}$  = junction temperature of input side IC

$T_{jo}$  = junction temperature of output side IC

$T_{P5}$  = pin 5 temperature at package edge

$T_{P9,12}$  = pin 9 and 12 temperature at package edge

$\theta_{i5}$  = input side IC to pin 5 thermal resistance

$\theta_{o9,12}$  = output side IC to pin 9 and 12 thermal resistance

$\theta_{5A}$  = pin 5 to ambient thermal resistance

$\theta_{9,12A}$  = pin 9 and 12 to ambient thermal resistance

\*The  $\theta_{5A}$  and  $\theta_{9,12A}$  values shown here are for PCB layouts with reasonable air flow.

This value may increase or decrease by a factor of 2 depending on PCB layout and/or airflow.

Figure 42. ACPL-332J Thermal Model

## Related Application Notes

AN5314 – Active Miller Clamp

AN5324 - Desaturation Fault Detection

AN5315 – “Soft” Turn-off Feature

AN1043 – Common-Mode Noise : Sources and Solutions

AV02-0310EN - Plastics Optocoupler Product ESD and Moisture Sensitivity

For product information and a complete list of distributors, please go to our web site: [www.avagotech.com](http://www.avagotech.com)

Avago Technologies, and the A logo are trademarks of Avago Technologies in the United States and other countries.

Data subject to change. Copyright © 2005-2015 Avago Technologies. All rights reserved.

AV02-0120EN - November 20, 2015

**AVAGO**  
TECHNOLOGIES