



Chipsmall Limited consists of a professional team with an average of over 10 year of expertise in the distribution of electronic components. Based in Hongkong, we have already established firm and mutual-benefit business relationships with customers from,Europe,America and south Asia,supplying obsolete and hard-to-find components to meet their specific needs.

With the principle of “Quality Parts,Customers Priority,Honest Operation,and Considerate Service”,our business mainly focus on the distribution of electronic components. Line cards we deal with include Microchip,ALPS,ROHM,Xilinx,Pulse,ON,Everlight and Freescale. Main products comprise IC,Modules,Potentiometer,IC Socket,Relay,Connector.Our parts cover such applications as commercial,industrial, and automotives areas.

We are looking forward to setting up business relationship with you and hope to provide you with the best service and solution. Let us make a better world for our industry!



Contact us

Tel: +86-755-8981 8866 Fax: +86-755-8427 6832

Email & Skype: info@chipsmall.com Web: www.chipsmall.com

Address: A1208, Overseas Decoration Building, #122 Zhenhua RD., Futian, Shenzhen, China



5.0 Amp Output Current IGBT and SiC/GaN MOSFET Gate Drive Optocoupler with Integrated Overcurrent Sensing, FAULT, GATE, and UVLO Status Feedback

Data Sheet

Description

The ACPL-352J is a 5.0A intelligent gate drive optocoupler. The high peak output current and wide operating voltage range make it ideal for driving IGBT or SiC/GaN MOSFET directly in motor control and inverter applications.

The device features fast propagation delay with excellent timing skew performance. It provides IGBT/MOSFET with overcurrent protection and functional safety reporting. This full-featured and easy-to-implement gate drive optocoupler comes in a compact, surface-mountable SO-16 package. It provides reinforced insulation certified for safety regulatory IEC/EN/DIN, UL and CSA.

CAUTION It is advised that normal static precautions be taken in handling and assembly of this component to prevent damage and/or degradation which may be induced by ESD. The components featured in this data sheet are not to be used in military or aerospace applications or environments.

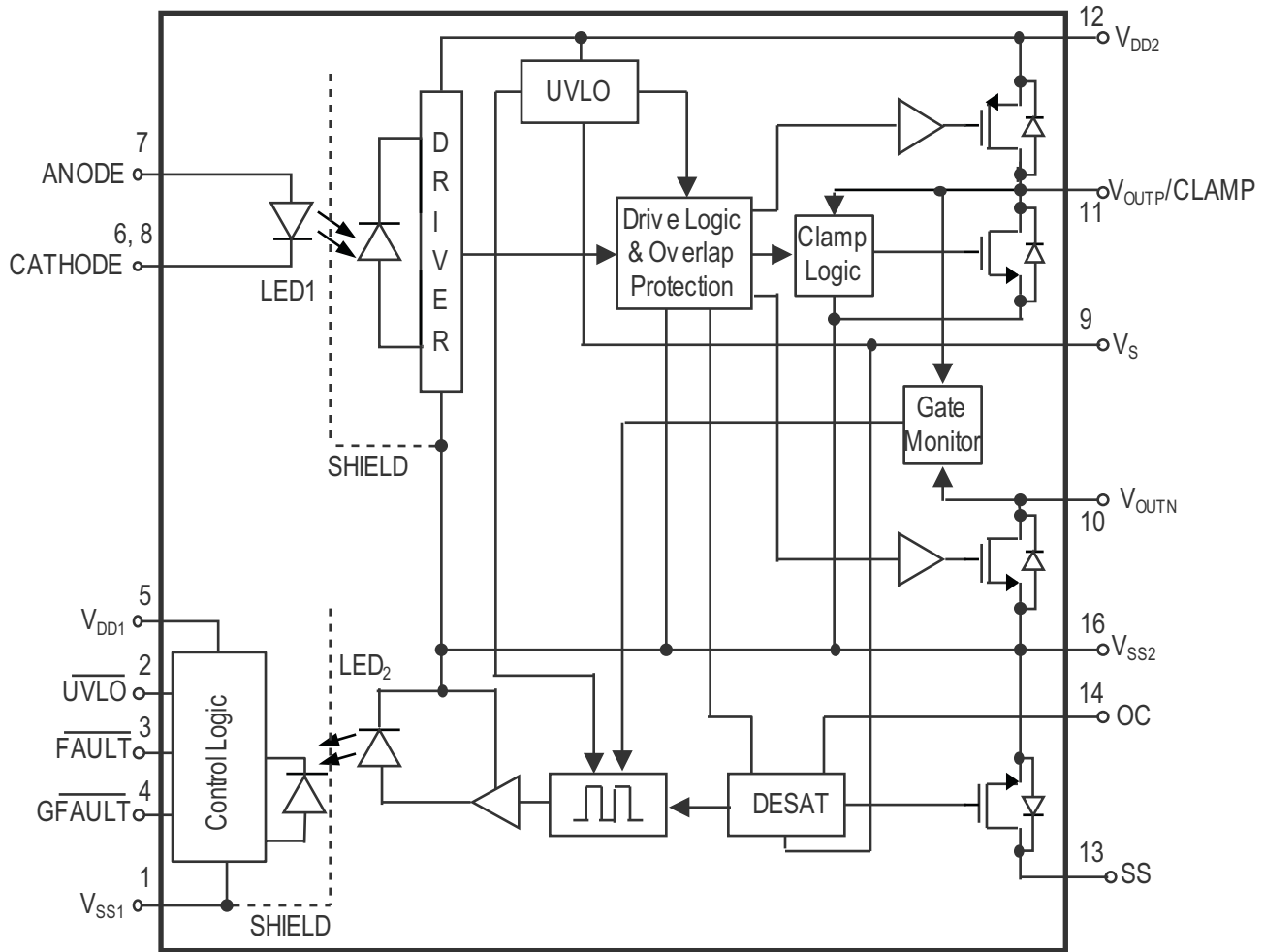
Features

- 5.0A maximum peak output current
- 4.5A minimum peak output current
- 150-ns maximum propagation delay
- Dual output drive to control turning on and off time
- Overcurrent detection with configurable Soft shutdown
- Functional safety reporting:
 - Overcurrent FAULT feedback
 - IGBT/MOSFET GATE status feedback
 - UVLO status feedback
- Under Voltage Lock-Out (UVLO) with hysteresis
- 50-kV/ μ s Minimum Common Mode Rejection (CMR) at $V_{CM} = 1500V$
- 15V to 30V wide operating V_{DD2} range
- $-40^{\circ}C$ to $105^{\circ}C$ industrial temperature range
- 8.3-mm creepage and clearance
- Safety approval:
 - UL Recognized 5000 V_{RMS} for 1min.
 - CSA
 - IEC/EN/DIN EN 60747-5-5 $V_{IORM} = 1414 V_{PEAK}$

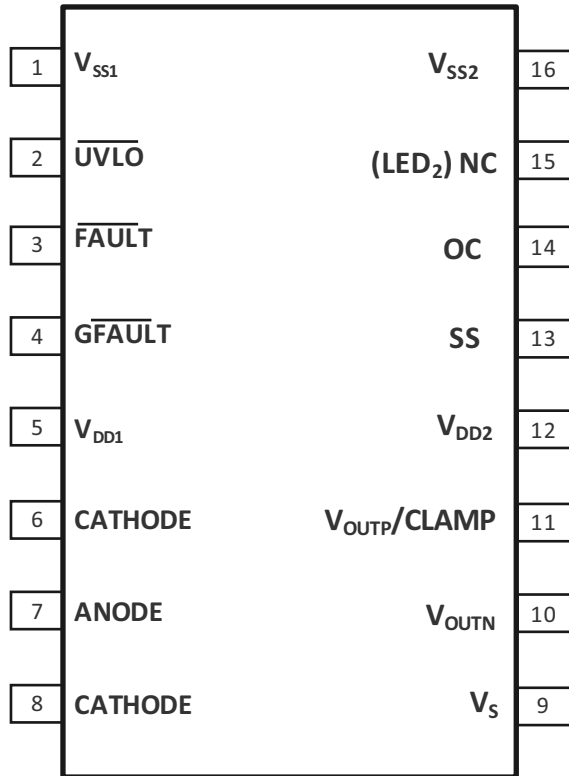
Applications

- IGBT and SiC/GaN MOSFET gate drive
- Industrial drives and inverters
- Renewable energy inverters
- Switching power supplies

Functional Diagram



Pin Description



| Pin | Symbol | Description |
|-----|-----------------------|---|
| 1 | V_{SS1} | Input ground |
| 2 | \overline{UVLO} | V_{DD2} under voltage lock out feedback |
| 3 | \overline{FAULT} | Overcurrent fault feedback |
| 4 | \overline{GFAULT} | IGBT/MOSFET Gate status feedback |
| 5 | V_{DD1} | Input power supply |
| 6 | CATHODE | Input LED cathode |
| 7 | ANODE | Input LED anode |
| 8 | CATHODE | Input LED cathode |
| 9 | V_S | Common (IGBT emitter or MOSFET source) output supply voltage. |
| 10 | V_{OUTN} | Driver output to turn off IGBT or MOSFET Gate |
| 11 | $V_{OUTP/CLAMP}$ | Driver output to turn on IGBT or MOSFET Gate/Miller Clamp |
| 12 | V_{DD2} | Positive output power supply |
| 13 | SS | Soft shutdown |
| 14 | OC | Overcurrent input pin. When the voltage on OC pin exceeds an internal reference voltage of 9V while the IGBT/MOSFET is on, \overline{FAULT} output is changed from logic high to low state. |
| 15 | (LED ₂)NC | No connection |
| 16 | V_{SS2} | Negative output power supply |

Ordering Information

ACPL-352J is UL Recognized with 5000 Vrms for 1 minute per UL1577.

| Part Number | Option | Package | Surface Mount | Tape & Reel | IEC/EN/DIN EN 60747-5-5 | Quantity |
|-------------|----------------|---------|---------------|-------------|-------------------------|--------------|
| | RoHS Compliant | | | | | |
| ACPL-352J | -000E | SO-16 | X | | X | 45 per tube |
| | -500E | | X | X | X | 850 per reel |

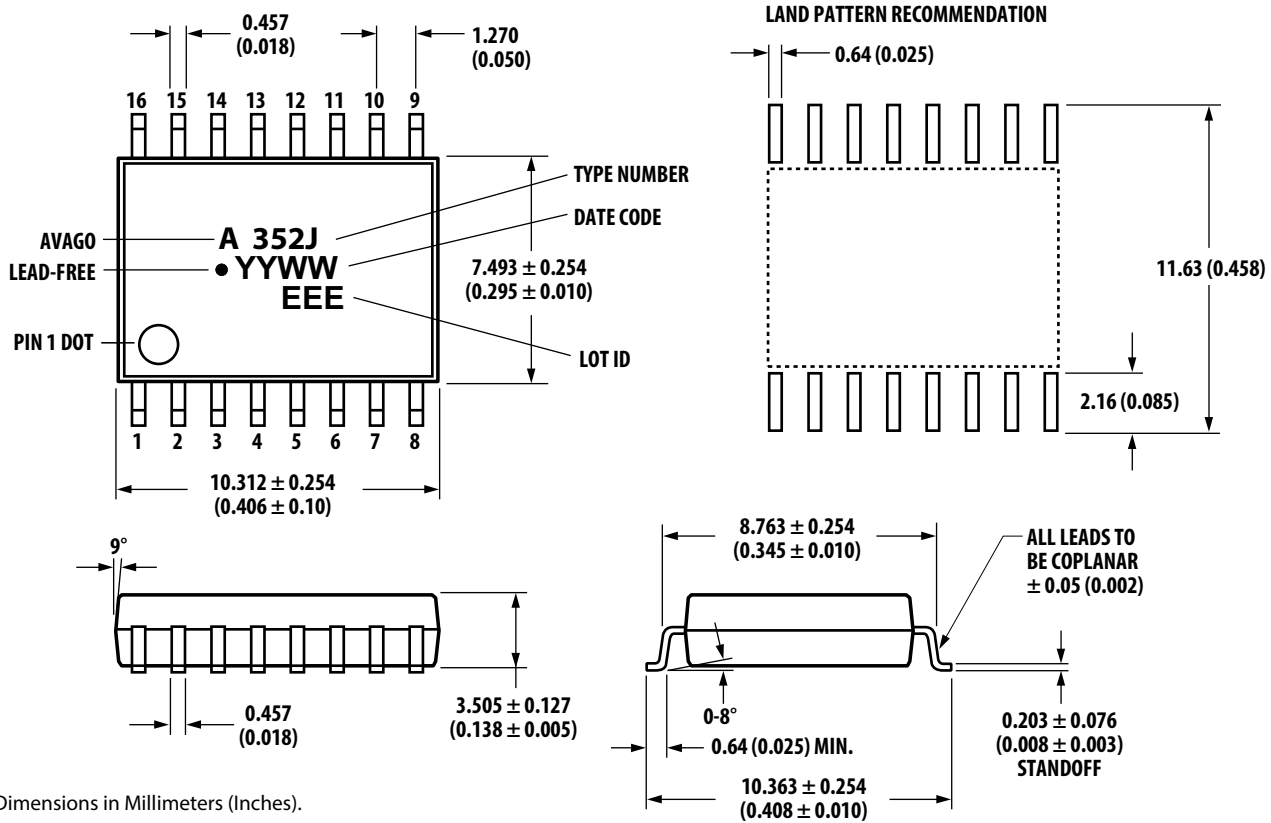
To order, choose a part number from the part number column and combine with the desired option from the option column to form an order entry.

Example:

ACPL-352J-500E to order product of SO-16 Surface Mount package in Tape and Reel packaging with IEC/EN/DIN EN 60747-5-5 Safety Approval in RoHS compliant.

Option data sheets are available. Contact your Broadcom sales representative or authorized distributor for information.

ACPL-352J 16-Lead Surface Mount Package



Dimensions in Millimeters (Inches).

Floating lead protrusion is 0.25 mm (10 mils) Max.

Note: Initial and continued variation in color of the white mold compound is normal and does not affect performance or reliability of the device.

Recommended Pb-Free IR Profile

Recommended reflow condition as per JEDEC Standard, J-STD-020 (latest revision). Non-Halide Flux should be used.

Regulatory Information

The ACPL-352J is approved by the following organizations.

| | |
|-------------------------|---|
| IEC/EN/DIN EN 60747-5-5 | Maximum working insulation voltage $V_{IORM} = 1414V_{PEAK}$. |
| UL | Approval under UL 1577, component recognition program up to $V_{ISO} = 5000 V_{RMS}$. File E55361. |
| CSA | Approval under CSA Component Acceptance Notice #5, File CA 88324. |

IEC/EN/DIN EN 60747-5-5 Insulation Characteristics

NOTE Isolation characteristics are guaranteed only within the safety maximum ratings, which must be ensured by protective circuits in application. Surface mount classification is class A in accordance with CECC00802.

| Description | Symbol | Characteristic | Unit |
|---|-----------------|---------------------------------------|-------------|
| Installation classification per DIN VDE 0110/39, Table 1 for rated mains voltage $\leq 150 V_{rms}$ for rated mains voltage $\leq 300 V_{rms}$ for rated mains voltage $\leq 600 V_{rms}$ for rated mains voltage $\leq 1000 V_{rms}$ | | I - IV I - IV I - IV I - III | |
| Climatic Classification | | 40/105/21 | |
| Pollution Degree (DIN VDE 0110/1.89) | | 2 | |
| Maximum Working Insulation Voltage | V_{IORM} | 1414 | V_{PEAK} |
| Input to Output Test Voltage, Method b ^a $V_{IORM} \times 1.875 = V_{PR}$, 100% Production Test with $t_m = 1$ sec, Partial discharge < 5 pC | V_{PR} | 2652 | V_{PEAK} |
| Input to Output Test Voltage, Method a ^a $V_{IORM} \times 1.6 = V_{PR}$, Type and Sample Test, $t_m = 10$ sec, Partial discharge < 5 pC | V_{PR} | 2262 | V_{PEAK} |
| Highest Allowable Overvoltage (Transient Overvoltage $t_{ini} = 60$ sec) | V_{IOTM} | 8000 | V_{PEAK} |
| Safety-limiting values - maximum values allowed in the event of a failure. | | | |
| Case Temperature | T_S | 175 | $^{\circ}C$ |
| Input Current | $I_{S, INPUT}$ | 400 | mA |
| Output Power | $P_{S, OUTPUT}$ | 1200 | mW |
| Insulation Resistance at T_S , $V_{IO} = 500V$ | R_S | $>10^9$ | Ω |

- a. Refer to IEC/EN/DIN EN 60747-5-5 Optoisolator Safety Standard section of the *Avago Regulatory Guide to Isolation Circuits*, AV02-2041EN, for a detailed description of Method a and Method b partial discharge test profiles.

Insulation and Safety Related Specifications

| Parameter | Symbol | ACPL-352J | Unit | Conditions |
|---|--------|-----------|------|--|
| Minimum External Air Gap (Clearance) | L(101) | 8.3 | mm | Measured from input terminals to output terminals, shortest distance through air. |
| Minimum External Tracking (Creepage) | L(102) | 8.3 | mm | Measured from input terminals to output terminals, shortest distance path along body. |
| Minimum Internal Plastic Gap (Internal Clearance) | | 0.5 | mm | Through insulation distance conductor to conductor, usually the straight line distance thickness between the emitter and detector. |
| Tracking Resistance (Comparative Tracking Index) | CTI | >175 | V | DIN IEC 112/VDE 0303 Part 1. |
| Isolation Group | | IIIa | | Material Group (DIN VDE 0110, 1/89, Table 1). |

NOTE All Broadcom data sheets report the creepage and clearance inherent to the optocoupler component itself. These dimensions are needed as a starting point for the equipment designer when determining the circuit insulation requirements. However, once mounted on a printed circuit board, minimum creepage and clearance requirements must be met as specified for individual equipment standards. For creepage, the shortest distance path along the surface of a printed circuit board between the solder fillets of the input and output leads must be considered (the recommended Land Pattern does not necessarily meet the minimum creepage of the device). There are recommended techniques such as grooves and ribs which may be used on a printed circuit board to achieve desired creepage and clearances. Creepage and clearance distances also change depending on factors such as pollution degree and insulation level.

Absolute Maximum Ratings

| Parameter | Symbol | Min. | Max. | Unit | Note |
|---|-----------------------|-----------------|------------------------|------|------|
| Storage Temperature | T_S | -55 | 125 | °C | |
| Operating Temperature | T_A | -40 | 105 | °C | |
| Output IC Junction Temperature | T_J | — | 125 | °C | |
| Average Input Current | $I_{F(AVG)}$ | — | 25 | mA | a |
| Peak Transient Input Current (<1- μ s pulse width, 300 pps) | $I_{F(TRAN)}$ | — | 1.0 | A | |
| Reverse Input Voltage | V_R | — | 5 | V | |
| High Peak Output Current | $I_{OH(PEAK)}$ | — | 5 | A | b |
| Low Peak Output Current | $I_{OL(PEAK)}$ | — | 5 | A | b |
| Positive Input Supply Voltage | V_{DD1} | 0 | 7 | V | |
| FAULT Output Current | I_{FAULT} | — | 8 | mA | |
| FAULT Pin Voltage | V_{FAULT} | -0.5 | V_{DD1} | V | |
| Total Output Supply Voltage | $(V_{DD2} - V_{SS2})$ | -0.5 | 35 | V | |
| Negative Output Supply Voltage | $(V_S - V_{SS2})$ | -0.5 | 17 | V | |
| Positive Output Supply Voltage | $(V_{DD2} - V_S)$ | -0.5 | $35 - (V_S - V_{SS2})$ | V | |
| Input Current (Rise/Fall Time) | $t_{r(IN)}/t_{f(IN)}$ | — | 500 | ns | |
| High Side Pull Up Voltage | V_{OUTP} | $V_{SS2} - 0.5$ | $V_{DD2} + 0.5$ | V | |
| Low Side Pull Down Voltage | V_{OUTN} | $V_{SS2} - 0.5$ | $V_{DD2} + 0.5$ | V | |
| Overcurrent Pin Voltage | V_{OC} | $V_S - 0.5$ | $V_{DD2} + 0.5$ | V | |
| Peak Clamp Sinking Current | I_{CLAMP} | — | 3 | A | b |
| Miller Clamp Pin Voltage | V_{CLAMP} | $V_{SS2} - 0.5$ | $V_{DD2} + 0.5$ | V | |
| Output IC Power Dissipation | P_O | — | 600 | mW | c |
| Input LED Power Dissipation | P_I | — | 110 | mW | d |

- Derate linearly above 70°C free-air temperature at a rate of 0.3 mA/°C.
- Maximum pulse width = 10 μ s. The output must be limited to -5.0A/5.0A of peak current by external resistors. See [Supply and Ground Planes Layout and Loading Conditions](#) section in the [Applications Information](#) to prevent output noise at 5A rated current.
- Derate linearly above 95°C free-air temperature at a rate of 20 mW/°C.
- Derate linearly above 95°C free-air temperature at a rate of 3.7 mW/°C. The maximum LED junction temperature should not exceed 125°C.

Recommended Operating Conditions

| Parameter | Symbol | Min. | Max. | Unit | Note |
|--------------------------------|-----------------------|------|------------------------|------|------|
| Operating Temperature | T_A | -40 | 105 | °C | |
| Positive Input Supply Voltage | V_{DD1} | 4.5 | 5.5 | V | |
| Total Output Supply Voltage | $(V_{DD2} - V_{SS2})$ | 15 | 30 | V | |
| Negative Output Supply Voltage | $(V_S - V_{SS2})$ | 0 | 15 | V | |
| Positive Output Supply Voltage | $(V_{DD2} - V_S)$ | 15 | $30 - (V_S - V_{SS2})$ | V | |
| Input Current (ON) | $I_{F(ON)}$ | 8 | 12 | mA | |
| Input Voltage (OFF) | $V_{F(OFF)}$ | -3.6 | 0.8 | V | |

Electrical Specifications (DC)

All typical values at $T_A = 25^\circ\text{C}$, $V_{DD1} = 5\text{V}$, $V_{DD2} - V_S = 15\text{V}$, $V_S - V_{SS2} = 15\text{V}$; All minimum and maximum specifications are at recommended operating conditions, unless otherwise noted.

| Parameter | Symbol | Min. | Typ. | Max. | Unit | Test Conditions | Fig. | Note |
|--|---------------------------|------------------|------------------|------------------|----------|---|--------|------|
| V_{OUTP} High Level Peak Output Current | I_{OH} | -4.5 | 9.0 | — | A | $V_{DD2} - V_{OUTP} = 15\text{V}$ | 3 | a |
| V_{OUTN} Low Level Peak Output Current | I_{OL} | 4.5 | 7.0 | — | A | $V_{OUTN} - V_{SS2} = 15\text{V}$ | 4 | a |
| V_{OUTP} Output PMOS $R_{DS(ON)}$ | R_{OUTP} | 0.4 | 0.7 | 1.5 | Ω | $I_{OP} = -4.5\text{A}$, $I_F = 8\text{mA}$ | 5 | a |
| V_{OUTN} Output NMOS $R_{DS(ON)}$ | R_{OUTN} | 0.3 | 0.6 | 1.2 | Ω | $I_{ON} = 4.5\text{A}$, $V_F = 0\text{V}$ | 6 | a |
| V_{OUTP} Output Voltage | V_{OH} | $V_{DD2} - 0.60$ | $V_{DD2} - 0.06$ | — | V | $I_{OP} = -100\text{mA}$, $I_F = 8\text{mA}$ | 1 | b, c |
| V_{OUTN} Output Voltage | V_{OL} | — | $V_{SS2} + 0.04$ | $V_{SS2} + 0.60$ | V | $I_{ON} = 100\text{mA}$, $V_F = 0\text{V}$ | 2 | |
| Clamp Threshold Voltage | V_{TH_CLAMP} | — | 2 | 3 | V | | | |
| Clamp Low Level Sinking Current | I_{CLAMP} | 2 | 2.5 | — | A | $V_{CLAMP} = V_{SS2} + 2.5\text{V}$ | 7 | |
| Clamp Output Transistor $R_{DS(ON)}$ | $R_{DS,CLAMP}$ | — | 0.9 | 2 | Ω | $I_{CLAMP} = 2.5\text{A}$ | | |
| SS Pull Down Current | I_{OSS} | 70 | 140 | — | mA | $SS - V_{SS2} \geq 15\text{V}$, $I_F = 8\text{mA}$, $OC = \text{Open}$ | 8 | |
| SS $R_{DS(ON)}$ | R_{OUTSS} | — | 16 | 40 | Ω | $I_{SS} = 70\text{mA}$, $I_F = 8\text{mA}$, $OC = \text{Open}$ | | |
| High Level Output Supply Current (V_{DD2}) | I_{DD2H} | — | 5.7 | 7.5 | mA | $I_F = 8\text{mA}$, No Load | 9 | |
| Low Level Output Supply Current (V_{DD2}) | I_{DD2L} | — | 4.8 | 6.5 | mA | $V_F = 0\text{V}$, No Load | 9 | |
| High Level Output Supply Current (V_{SS2}) | I_{SS2H} | -2.2 | -1.7 | — | mA | $I_F = 8\text{mA}$, No Load | 10 | |
| Low Level Output Supply Current (V_{SS2}) | I_{SS2L} | -1.2 | -0.8 | — | mA | $V_F = 0\text{V}$, No Load | 10 | |
| Input Threshold Current Low to High | I_{FLH} | 0.5 | 2 | 6.5 | mA | | 11, 12 | |
| Input Threshold Voltage High to Low | V_{FHL} | 0.8 | — | — | V | | | |
| Input Forward Voltage | V_F | 1.2 | 1.55 | 1.95 | V | $I_F = 8\text{mA}$ | | |
| Temperature Coefficient of Input Forward Voltage | $\Delta V_F / \Delta T_A$ | — | -1.7 | — | mV/°C | $I_F = 8\text{mA}$ | | |
| Input Reverse Breakdown Voltage | BV_R | 5 | — | — | V | $I_R = 100\mu\text{A}$ | | |

| Parameter | Symbol | Min. | Typ. | Max. | Unit | Test Conditions | Fig. | Note |
|--|-------------------------|------|---------------|------|---------------|---|------|---------|
| Input Capacitance | C_{IN} | — | 70 | — | pF | $f = 1 \text{ MHz}, V_F = 0V$ | | |
| UVLO Threshold, $V_{DD2} - V_S$ | V_{UVLO+} | 12 | 12.9 | 13.5 | V | $I_F = 8 \text{ mA}, V_{OUTP} - V_E > 5V$ | | b, c, d |
| | V_{UVLO-} | 11 | 11.8 | 12.5 | V | $I_F = 8 \text{ mA}, V_{OUTP} - V_E < 5V$ | | b, c, e |
| UVLO Hysteresis, $V_{DD2} - V_S$ | $V_{UVLO+} - V_{UVLO-}$ | 0.5 | 1 | — | V | | | |
| OC Sensing Voltage Threshold | V_{OC} | 8.5 | 9 | 9.5 | V | $V_{DD2} - V_S > V_{UVLO+}$ | 13 | c |
| Blanking Capacitor Charging Current | I_{CHG} | 0.85 | 1 | 1.15 | mA | $V_{OC} = 2V$ | 14 | c, f |
| OC Low Voltage when Blanking Capacitor Discharge | V_{DSCHG} | — | 1.1 | 2 | V | $I_{DSCHG} = 50 \text{ mA}$ | | c, f |
| Input Supply Current (V_{DD1}) | I_{DD1} | — | 1.6 | 2.5 | mA | | 15 | |
| FAULT Logic Low Output Current | I_{FAULTL} | 4 | 9.2 | — | mA | $V_{FAULT} = 0.4V, V_{DD1} = 5V$ | | |
| FAULT Logic High Output Current | I_{FAULTH} | — | — | 20 | μA | $V_{FAULT} = V_{DD1} = 5V$ | | |
| UVLO Logic Low Output Current | I_{UVLOL} | 4 | 9.2 | — | mA | $V_{UVLO} = 0.4V, V_{DD1} = 5V$ | | |
| UVLO Logic High Output Current | I_{UVLOH} | — | — | 20 | μA | $V_{UVLO} = V_{DD1} = 5V$ | | |
| V_{OUTN} GFAULT Sense Threshold Voltage | $V_{GFAULTN}$ | — | $V_{DD2} - 2$ | — | V | | | |
| V_{OUTP} GFAULT Sense Threshold Voltage | $V_{GFAULTP}$ | — | $V_{SS2} + 2$ | — | V | | | |
| GFAULT Logic Low Output Current | $I_{GFAULTL}$ | 4 | 9.2 | — | mA | $V_{GFAULT} = 0.4V, V_{DD1} = 5V$ | | |
| GFAULT Logic High Output Current | $I_{GFAULTH}$ | — | — | 20 | μA | $V_{GFAULT} = V_{DD1} = 5V$ | | |

- Output is sourced at $-4.5A / 4.5A$ with a maximum pulse width = $10 \mu\text{s}$.
- 15V is the recommended minimum operating positive supply voltage ($V_{DD2} - V_S$) to ensure adequate margin in excess of the maximum V_{UVLO+} threshold of 13.5V. For High Level Output Voltage testing, V_{OUTP} is measured with a $50\text{-}\mu\text{s}$ pulse load current. When driving capacitive loads, V_{OUTP} approaches V_{DD2} as I_{OUTP} approaches zero units.
- Once the system is out of UVLO ($V_{DD2} - V_S > V_{UVLO+}$), the OC detection feature of the ACPL-352J is the primary source of IGBT/MOSFET protection. UVLO needs to be unlocked to ensure OC is functional. Once V_{DD2} exceeds V_{UVLO+} threshold, OC remains functional until V_{DD2} is below V_{UVLO-} threshold. The OC detection and UVLO features of the ACPL-352J work in conjunction to ensure constant IGBT/MOSFET protection.
- This is the *increasing* (i.e., turn-on or *positive going* direction) of $V_{DD2} - V_S$.
- This is the *decreasing* (i.e., turn-off or *negative going* direction) of $V_{DD2} - V_S$.
- See the overcurrent fault detection blanking time section in the applications notes at the end of this data sheet for further details.

Switching Specifications (AC)

All typical values at $T_A = 25^\circ\text{C}$, $V_{DD1} = 5\text{V}$, $V_{DD2} - V_S = 15\text{V}$, $V_S - V_{SS2} = 15\text{V}$; All minimum and maximum specifications are at recommended operating conditions, unless otherwise noted.

| Parameter | Symbol | Min. | Typ. | Max. | Unit | Test Conditions | Fig. | Note |
|--|-----------------------------|------|------|------|-------------------------|--|---------------|------|
| Propagation Delay Time to High V_{OUTP} Output Level | t_{PLH} | 40 | 100 | 150 | ns | $R_{GP} = 5\Omega$, $R_{GN} = 5\Omega$, $C_G = 5\text{nF}$, $f = 20\text{ kHz}$, Duty Cycle = 50% $I_F = 8\text{ mA}$ | 16, 17, 22 | a |
| Propagation Delay Time to Low V_{OUTN} Output Level | t_{PHL} | 40 | 90 | 150 | ns | | | b |
| Pulse Width Distortion | PWD | -50 | 10 | 50 | ns | | c | |
| Propagation Delay Difference Between Any Two Parts | PDD ($t_{PLH} - t_{PHL}$) | -75 | — | 75 | ns | | d | |
| Propagation Delay Skew | t_{PSK} | — | — | 60 | ns | | e | |
| 10% to 90% Rise Time on V_{OUTP} | t_R | — | 37 | — | ns | $R_{GP} = 5\Omega$, $R_{GN} = 5\Omega$, $C_G = 2\text{nF}$, $f = 20\text{ kHz}$, Duty Cycle = 50%, $I_F = 8\text{ mA}$. | | |
| 90% to 10% Fall Time on V_{OUTN} | t_F | — | 30 | — | ns | | | |
| OC Blanking Time | $t_{OC(BLANKING)}$ | — | 0.75 | 1 | μs | $R_{GP} = 5\Omega$, $R_{GN} = 5\Omega$, $C_G = 5\text{ nF}$, $f = 100\text{ Hz}$, Duty Cycle = 50%, $I_F = 8\text{ mA}$, $R_{SS} = 133\Omega$, $C_F = 330\text{ pF}$, $R_F = 10\text{ k}\Omega$ | 21 | f |
| OC Detection to 90% V_{GATE} Delay | $t_{OC(90\%)}$ | — | 0.13 | — | μs | | 21 | g |
| OC Detection to $V_{GATE} = 2\text{V}$ Delay | $t_{OC(2V)}$ | — | 2.5 | — | μs | | 21 | h |
| OC Detection to OC Pull Low Propagation Delay | $t_{OC(LOW)}$ | — | 0.25 | — | μs | | 21 | i |
| OC Detection to SS Pull Low Propagation Delay | $t_{SS(LOW)}$ | — | 0.15 | 0.8 | μs | | 18, 21 | j |
| OC Detection to Low Level FAULT Signal Delay | $t_{OC(FAULT)}$ | — | 1.7 | 3 | μs | | 21 | k |
| Output Mute Time due to Overcurrent | $t_{OC(MUTE)}$ | 2 | 3 | 4 | ms | | 19, 21 | l |
| Time Input Kept Low Before Fault Reset to High | $t_{OC(RESET)}$ | 2 | 3 | 4 | ms | $C_F = 330\text{ pF}$, $R_F = 10\text{ k}\Omega$ | 19, 21 | m |
| V_{DD2} to UVLO High Delay | t_{PLH_UVLO} | — | 15 | 22 | μs | $C_U = 330\text{ pF}$, $R_U = 10\text{ k}\Omega$ | 23 | n |
| V_{DD2} to UVLO Low Delay | t_{PHL_UVLO} | — | 13 | 30 | μs | $C_U = 330\text{ pF}$, $R_U = 10\text{ k}\Omega$ | 23 | o |
| V_{DD2} UVLO to V_{OUTP} High Delay | t_{UVLO_ON} | — | 3 | — | μs | | 23 | p |
| V_{DD2} UVLO to V_{OUTN} Low Delay | t_{UVLO_OFF} | — | 1.5 | — | μs | | 23 | q |
| Delay Time to V_{GATE} Status Check | t_{GFAULT} | 7.5 | 9.5 | 13 | μs | | 24 | r |
| V_{GATE} Status Check to Low Level GFAULT Signal Delay | $t_{GFAULT(10\%)}$ | — | 13.5 | 17 | μs | $C_{GF} = 330\text{ pF}$, $R_{GF} = 10\text{ k}\Omega$ | 24 | s |
| Input Logic Change to High Level GFAULT Signal Delay | $t_{GFAULT(90\%)}$ | — | 16 | 25 | μs | $C_{GF} = 330\text{ pF}$, $R_{GF} = 10\text{ k}\Omega$ | 24 | t |
| Output High Level Common Mode Transient Immunity | $ CM_H $ | 50 | — | — | $\text{kV}/\mu\text{s}$ | $T_A = 25^\circ\text{C}$, $V_{CM} = 2000\text{V}$, $V_{DD1} = 5\text{V}$, $C_F = 330\text{ pF}$, $R_F = 10\text{ k}\Omega$, $I_F = 8\text{ mA}$ | | u, v |
| Output Low Level Common Mode Transient Immunity | $ CM_L $ | 50 | — | — | $\text{kV}/\mu\text{s}$ | $T_A = 25^\circ\text{C}$, $V_{CM} = 2000\text{V}$, $V_{DD1} = 5\text{V}$, $C_F = 330\text{ pF}$, $R_F = 10\text{ k}\Omega$, $V_F = 0\text{V}$ | | v, w |

-
- a. t_{PLH} is defined as propagation delay from 50% of LED input I_F to 50% of V_{OUTP} high level output.
 - b. t_{PHL} is defined as propagation delay from 50% of LED input I_F to 50% of V_{OUTN} low level output.
 - c. Pulse Width Distortion (PWD) is defined as $|t_{PHL} - t_{PLH}|$ for any given unit.
 - d. Propagation Delay Difference (PDD) is the difference between t_{PHL} and t_{PLH} between any two units under the same test condition.
 - e. Propagation Delay Skew (t_{PSK}) is the difference in t_{PHL} or t_{PLH} between any two units under the same test condition.
 - f. The internal delay time to respond to an OC fault condition without any external blanking capacitor.
 - g. The amount of time from when OC threshold is exceeded to 90% of V_{GATE} at mentioned test conditions.
 - h. The amount of time from when OC threshold is exceeded to V_{GATE} at 2V at mentioned test conditions.
 - i. The amount of time from when OC threshold is exceeded to 10% of OC low voltage.
 - j. The amount of time from when OC threshold is exceeded to 10% of SS (Soft Shut) low voltage.
 - k. The amount of time from when OC threshold is exceeded to FAULT output low.
 - l. The amount of time when OC threshold is exceeded, output is muted to LED input.
 - m. The amount of time when OC mute time is expired, LED input must be kept low for FAULT status to return to High.
 - n. The delay time when V_{DD2} exceeds UVLO+ threshold to UVLO high – 50% of UVLO positive-going edge.
 - o. The delay time when V_{DD2} exceeds UVLO– threshold to UVLO low – 50% of UVLO negative-going edge
 - p. The delay time when V_{DD2} exceeds UVLO+ threshold to 50% of V_{OUTP} high level output.
 - q. The delay time when V_{DD2} exceeds UVLO– threshold to 50% of V_{OUTN} low level output.
 - r. The delay to allow sufficient time for the gate to charge or discharge to its final level before checking gate voltage corresponds to LED input logic.
 - s. The delay time when gate voltage does not correspond to LED input logic to GFAULT output low.
 - t. The delay time when GFAULT returns to high after LED input logic change or gate voltage crosses the intended level threshold.
 - u. Common mode transient immunity in the high state is the maximum tolerable dV_{CM}/dt of the common mode pulse, V_{CM} , to assure that the output remains in the high state (i.e., $V_{DD2} - V_{OUTP} < 1.0V$ or $FAULT > 2V$). V_{DD2} must be higher than V_{UVLO+} .
 - v. Split resistor network in the ratio 3:1 with 324 Ω at the anode and 107 Ω at the cathode.
 - w. Common mode transient immunity in the low state is the maximum tolerable dV_{CM}/dt of the common mode pulse, V_{CM} , to assure that the output remains in a low state (i.e., $V_{OUTN} - V_{SS2} < 1.0V$ or $FAULT > 2V$). V_{DD2} must be higher than V_{UVLO+} .

Package Characteristics

| Parameter | Symbol | Min. | Typ. | Max. | Unit | Test Conditions | Fig. | Note |
|--|-----------|------|---------|------|---------------------------|---|------|---------|
| Input-Output Momentary Withstand Voltage | V_{ISO} | 5000 | — | — | V_{rms} | RH < 50%, t = 1 min., $T_A = 25^\circ\text{C}$ | | a, b, c |
| Input-Output Resistance | R_{I-O} | — | $>10^9$ | — | Ω | $V_{I-O} = 500\text{V}$ | | c |
| Input-Output Capacitance | C_{I-O} | — | 1.3 | — | pF | freq = 1 MHz | | |
| Thermal Coefficient Between | | | | | | | | d |
| LED and Input IC | A_{EI} | — | 35.4 | — | $^\circ\text{C}/\text{W}$ | | | |
| LED and Output IC | A_{EO} | — | 33.1 | — | $^\circ\text{C}/\text{W}$ | | | |
| Input IC and Output IC | A_{IO} | — | 25.6 | — | $^\circ\text{C}/\text{W}$ | | | |
| LED and Ambient | A_{EA} | — | 176.1 | — | $^\circ\text{C}/\text{W}$ | | | |
| Input IC and Ambient | A_{IA} | — | 92 | — | $^\circ\text{C}/\text{W}$ | | | |
| Output IC and Ambient | A_{OA} | — | 76.7 | — | $^\circ\text{C}/\text{W}$ | | | |

- In accordance with UL1577, each optocoupler is proof tested by applying an insulation test voltage $\geq 6000 V_{rms}$ for 1 second. This test is performed before the 100% production test for partial discharge (method b) shown in IEC/EN/DIN EN 60747-5-5 Insulation Characteristic Table, if applicable.
- The Input-Output Momentary Withstand Voltage is a dielectric voltage rating that should not be interpreted as an input-output continuous voltage rating. For the continuous voltage rating, refer to your equipment level safety specification or IEC/EN/DIN EN 60747-5-5 Insulation Characteristics Table.
- Device considered a two-terminal device: Pins 1 to 8 are shorted together and pins 9 to 16 are shorted together.
- For further details, see the [Thermal Calculation](#) section in the [Applications Information](#).

Figure 1 V_{OH} vs. Temperature

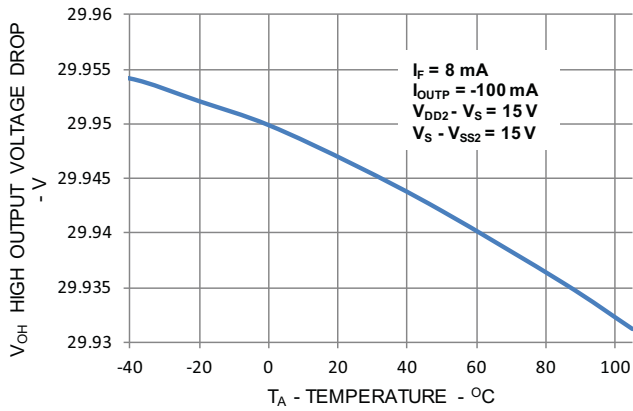


Figure 2 V_{OL} vs. Temperature

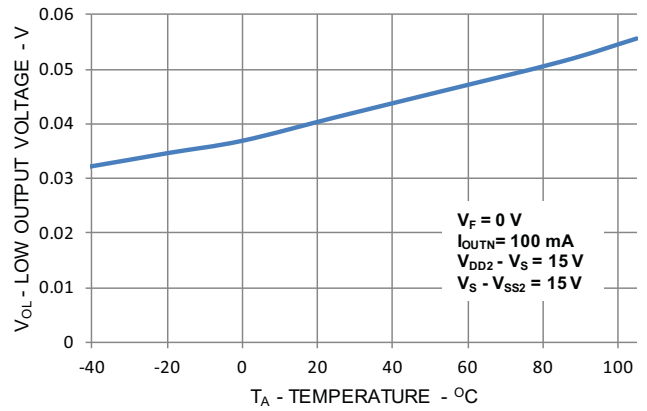


Figure 3 I_{OH} vs. V_{OH}

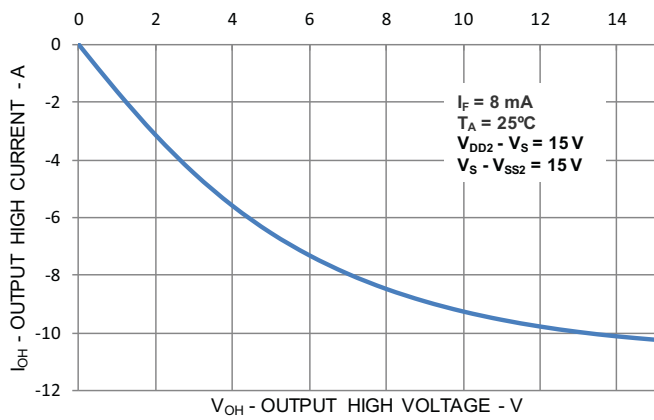


Figure 4 I_{OL} vs. V_{OL}

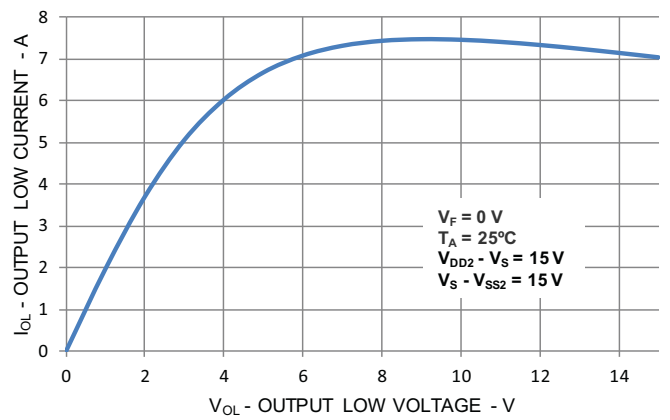


Figure 5 R_{OUTP} vs. Temperature

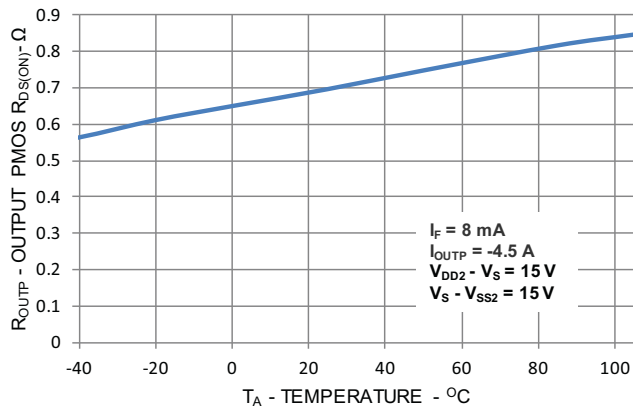


Figure 6 R_{OUTN} vs. Temperature

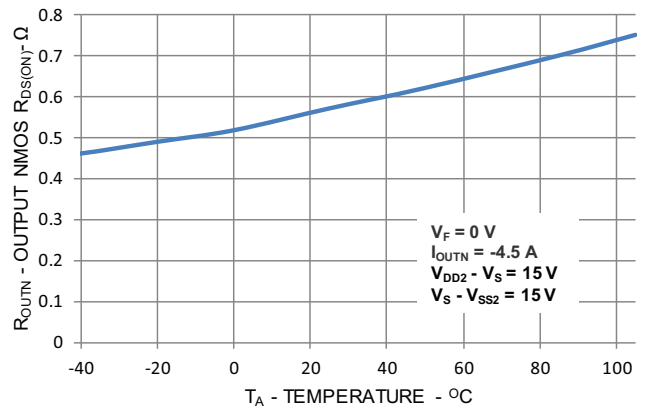


Figure 7 I_{CLAMP} vs. Temperature

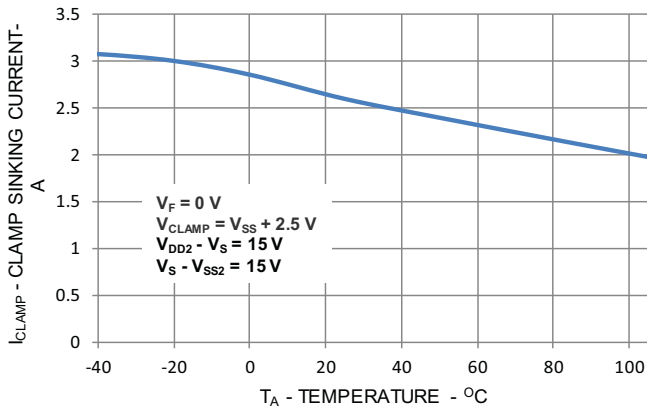


Figure 8 I_{OSS} vs. V_{OSS}

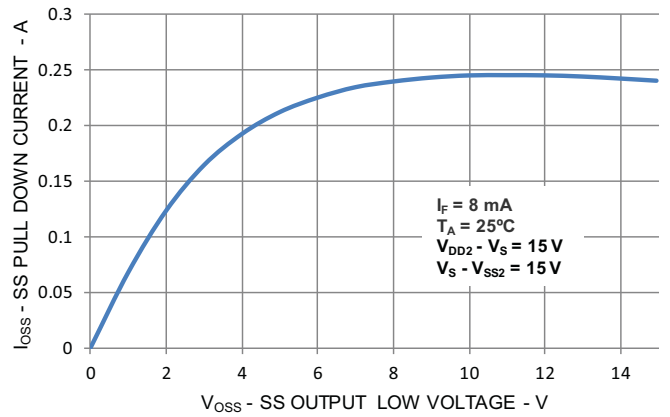


Figure 9 I_{DD2H}/I_{DD2L} vs. Temperature

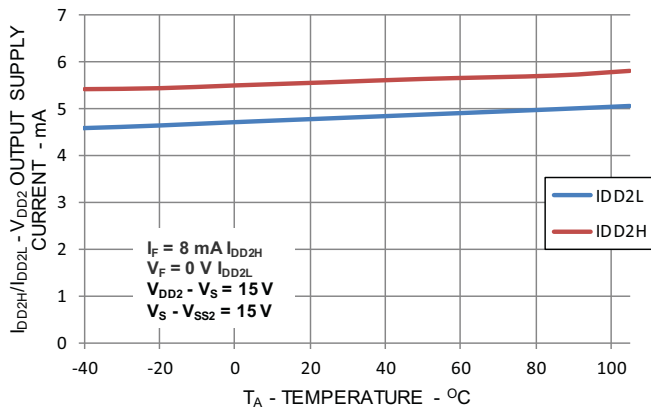


Figure 10 I_{SS2H}/I_{SS2L} vs. Temperature

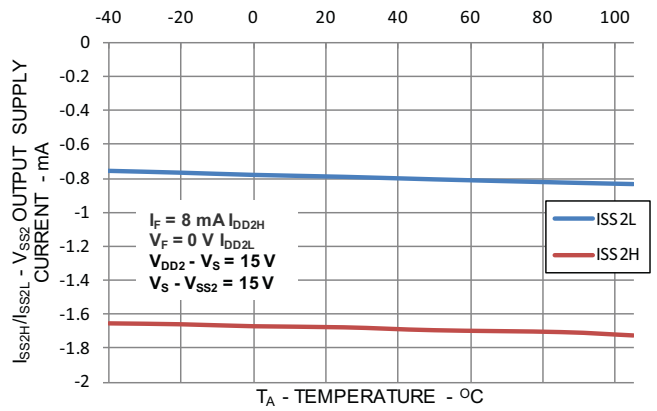


Figure 11 V_{OUTP}/V_{OUTN} vs. I_{FLH}

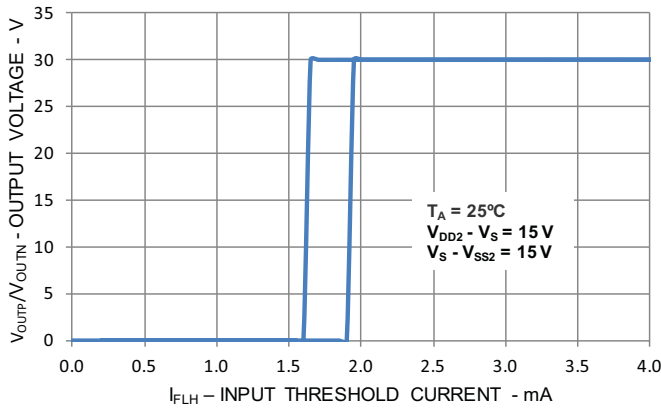


Figure 12 I_{FLH} vs. Temperature

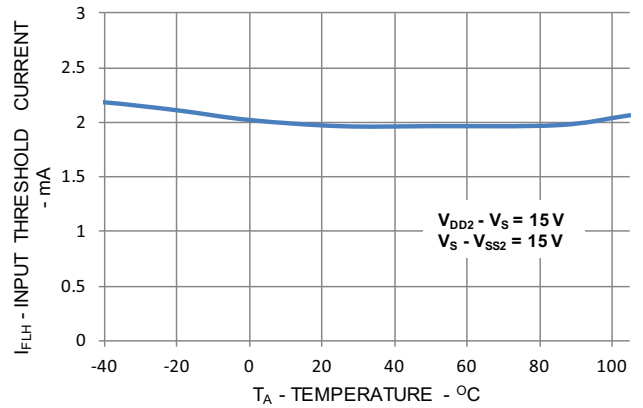


Figure 13 V_{OC} vs. Temperature

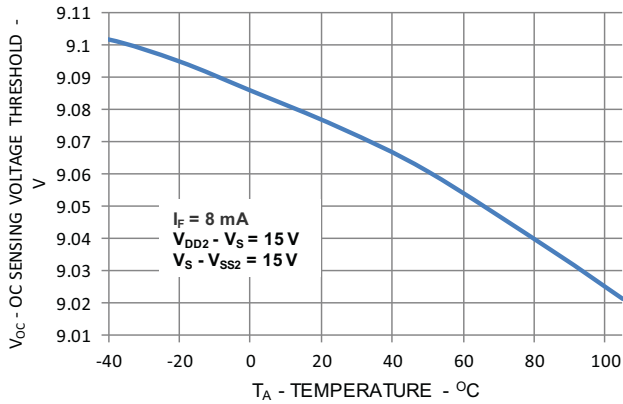


Figure 14 I_{CHG} vs. Temperature

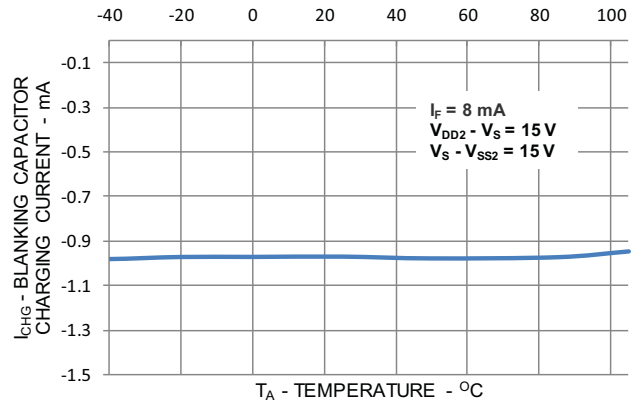


Figure 15 I_{DD1} vs. Temperature

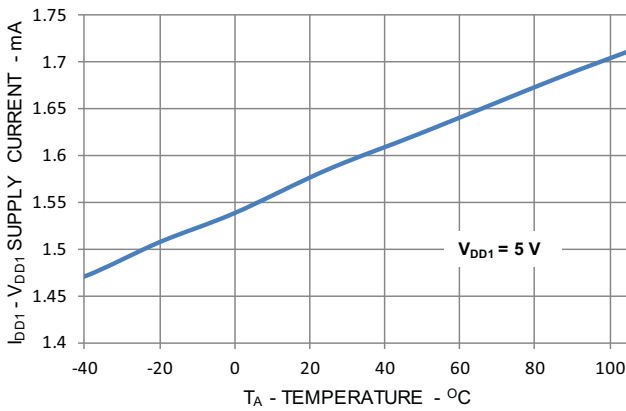


Figure 16 t_{PLH}/t_{PHL} vs. Temperature

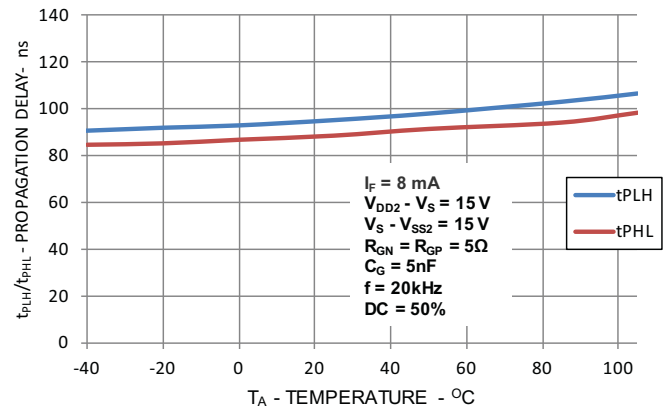


Figure 17 t_{PLH}/t_{PHL} vs. I_F

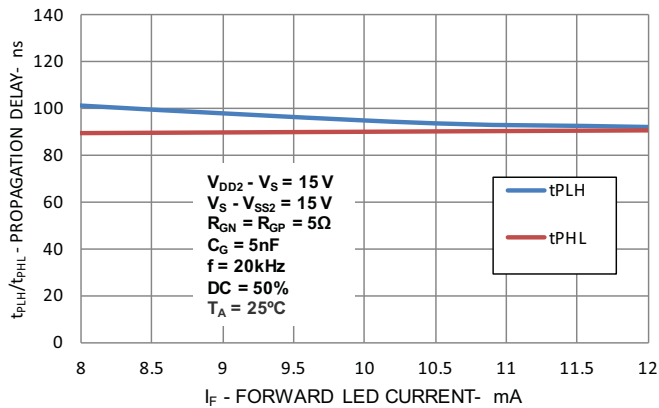


Figure 18 $t_{SS(Low)}$ vs. Temperature

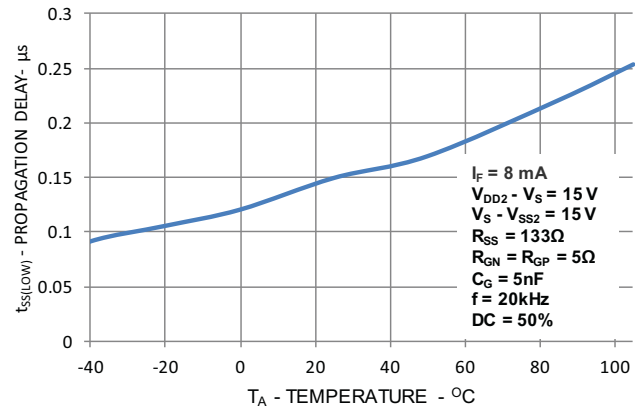
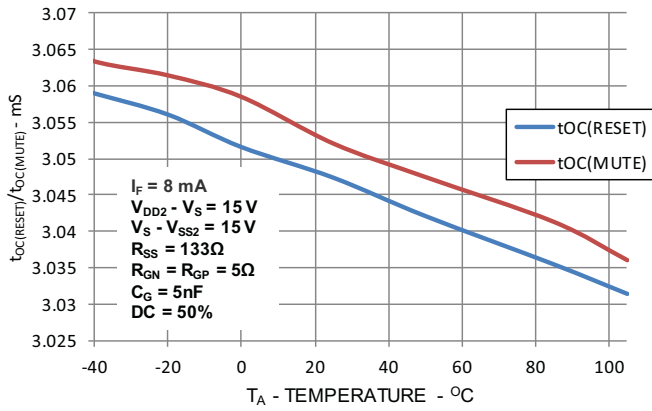
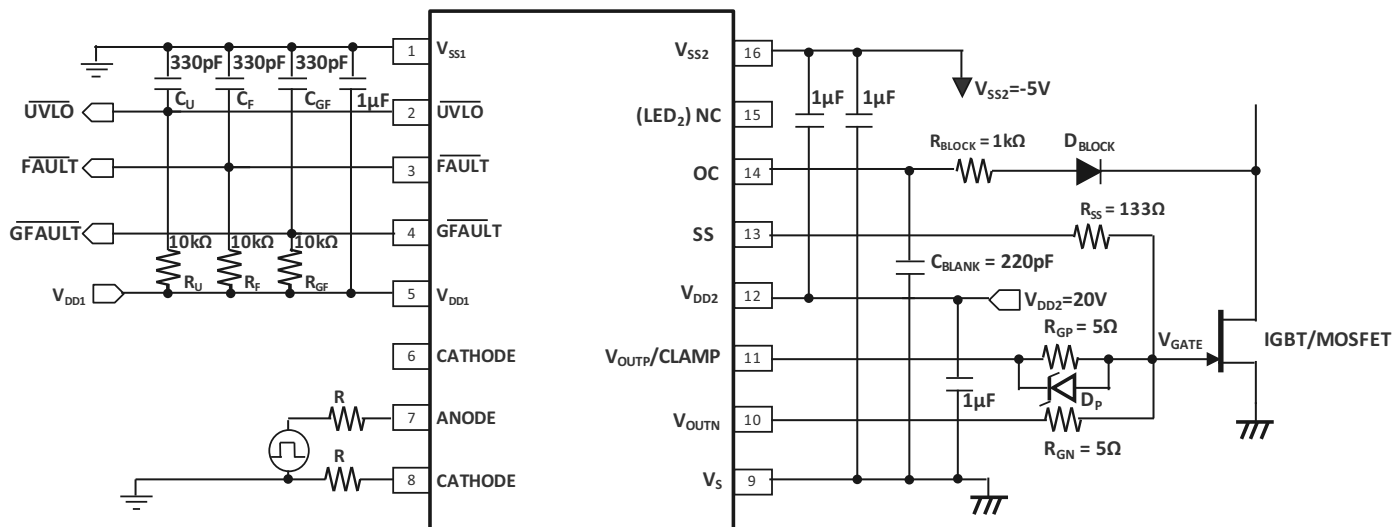


Figure 19 $t_{OC(RESET)}/t_{OC(MUTE)}$ vs. Temperature

Applications Information

Recommended Application Circuit

Figure 20 Recommended Application Circuit for ACPL-352J



The ACPL-352J has a LED input control input and three fault reporting mechanisms: namely V_{DD2} under voltage lockout (UVLO), IGBT/MOSFET overcurrent (FAULT) and IGBT/MOSFET gate status (GFAULT). These open drain FAULT, UVLO and GFAULT outputs are connected to 10k Ω pull-up resistors and 330 pF filtering capacitors and are suitable for wired OR applications. UVLO has the highest fault priority and follows by FAULT and GFAULT. The supplies (V_{DD1} and V_{DD2}) are connected to four 1 μ F bypass decoupling capacitors to provide the large transient currents necessary during a switching transition.

The two resistors (R) connected to input LED's anode and cathode are recommended to be split ted in the ratio of 3:1. They will help to balance the common mode impedances at the LED's anode and cathode. This helps to equalize the common mode voltage changes at the anode and cathode to give high CMR performance.

The HV blocking diode, D_{BLOCK} , R_{BLOCK} and 220 pF blanking capacitor are used to protect the OC pin and prevent false fault detection. During overcurrent fault condition, the IGBT/MOSFET is soft shut down through the SS pin and the rate of shut down can be adjusted by R_{SS} .

The gate resistor (R_{GP} and R_{GN}) serves to limit gate current and indirectly control the IGBT/MOSFET switching times. Schottky diode, D_P is used together with the CLAMP function to shunt parasitic IGBT/MOSFET Miller current during the off cycle.

The status of the IGBT/MOSFET gate voltage is monitored by output pins V_{OUTP} and V_{OUTN} . The GFAULT output goes low when the gate voltage does not correspond to the LED input logic.

Output Control

The secondary output stage (V_{OUT} , CLAMP, OC, and SS) is controlled by the combination of V_{DD2} , LED current (I_F) and overcurrent (OC) conditions. Please note that V_{DD1} is used to provide power supply to the device's fault reporting mechanisms. The secondary output stage (V_{OUT} , CLAMP, OC, and SS) remains operational when there is no V_{DD1} supply. The following table shows the logic truth table for these outputs. The logic level is defined by the respective threshold of each function pin.

| Condition | Inputs | | | Secondary Outputs | | | Fault Reporting Outputs | | |
|------------------|-----------|-------|---------------|---------------------|-----------------------------------|--------|-------------------------|-------|--------|
| | V_{DD2} | I_F | OC | V_{OUTN} | $V_{OUTP/CLAMP}$ | SS | UVLO | FAULT | GFAULT |
| V_{DD2} UVLO | Low | X | Not Active | Low | Low(CLAMP) | High-Z | Low | High | High |
| Overcurrent | High | Low | Not Active | Low | Low(CLAMP) | High-Z | High | High | High |
| | High | High | Active(OC) | High-Z | Low(CLAMP) | Low | High | Low | High |
| Normal Switching | High | Low | Not Active | Low | Low(CLAMP) | High-Z | High | High | High |
| | High | High | Active(no OC) | High-Z | High(V_{OUTP}) | High-Z | High | High | High |
| Gate Status | High | Low | Not Active | Low | High-Z(V_{OUTP}) ^a | High-Z | High | High | Low |
| | High | High | Active(no OC) | High-Z ^b | High(V_{OUTP}) | High-Z | High | High | Low |

a. The $V_{OUTP/CLAMP}$ is the GFAULT sense pin and sense higher than $V_{SS2} + 2V$ after time t_{GFAULT} .

b. The V_{OUTN} is the GFAULT sense pin and sense lower than $V_{DD2} - 2V$ after time t_{GFAULT} .

Introduction to Overcurrent (or DESAT) Detection and Protection

The power stage of a typical three phase inverter is susceptible to several types of failures, most of which are potentially destructive to the power IGBT/MOSFET. These failure modes can be grouped into four basic categories: phase and/or rail supply short circuits due to user misconnect or bad wiring, control signal failures due to noise or computational errors, overload conditions induced by the load, and component failures in the gate drive circuitry. Under any of these fault conditions, the current through the IGBT/MOSFET can increase rapidly, causing excessive power dissipation and heating. The IGBT/MOSFET becomes damaged when the current load approaches the saturation current of the device, and the collector/drain to emitter/source voltage rises above the saturation voltage level. The drastically increased power dissipation very quickly overheats the power device and destroys it. To prevent damage to the drive, fault protection must be implemented to reduce or turn-off the IGBT/MOSFET during a fault condition.

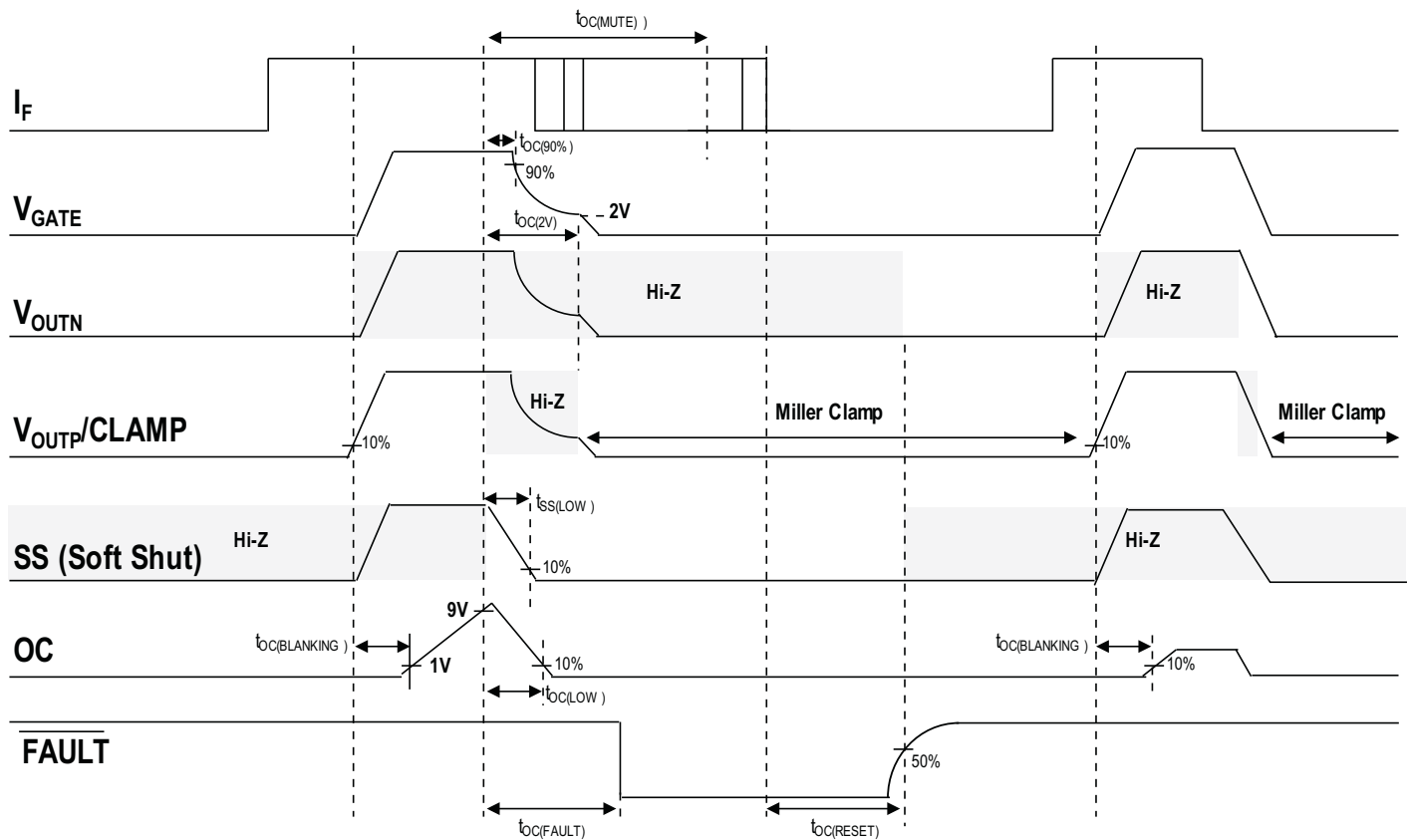
The ACPL-352J OC pin monitors the drain/source voltages of the MOSFET or the collector/emitter voltages of the IGBT. When the MOSFET goes into overcurrent or IGBT into desaturation and these voltages exceed the predetermined threshold, V_{OC} . The ACPL-352J trigger a local fault shutdown sequence and slowly reduces the high overcurrent to prevent damaging voltage spikes. The fault is reported to controller through the isolated feedback channel of the ACPL-352J.

During the off state (no LED input) of the IGBT, the fault detect circuitry is simply disabled to prevent false fault signals.

Description of Operation during Overcurrent Condition

1. OC terminal monitors IGBTs V_{CE} or MOSFET V_{DS} voltage.
2. When the voltage on the OC terminal exceeds 9V, the output voltages (V_{OUTP} and V_{OUTN}) go to Hi-Z state and the SS pull down the V_{GATE} at a slow rate adjustable via resistor R_{SS} .
3. FAULT output goes low, notifying the microcontroller of the fault condition.
4. Microcontroller takes appropriate action.
5. When $t_{OC(MUTE)}$ expires, LED input needs to be kept low for $t_{OC(RESET)}$ before fault condition is cleared. FAULT status will return to high and SS output will return to Hi-Z state.
6. In the event LED goes high during $t_{OC(RESET)}$, the $t_{OC(RESET)}$ timing resets and the LED input needs to be kept low for another $t_{OC(RESET)}$ before fault condition is cleared.
7. V_{GATE} starts to respond to LED input after fault condition is cleared.

Figure 21 Circuit Behaviors during Overcurrent Event



OC Fault Detection Blanking Time

The OC fault detection circuitry must remain disabled for a short time period following the turn-on of the IGBT to allow the collector voltage to fall below the OC threshold. This time period, called the total OC blanking time, is controlled by the both internal OC blanking time $t_{OC(BLANKING)}$ (Figure 21) and external blanking time, determined by internal charge current, the OC voltage threshold, and the external blanking capacitor.

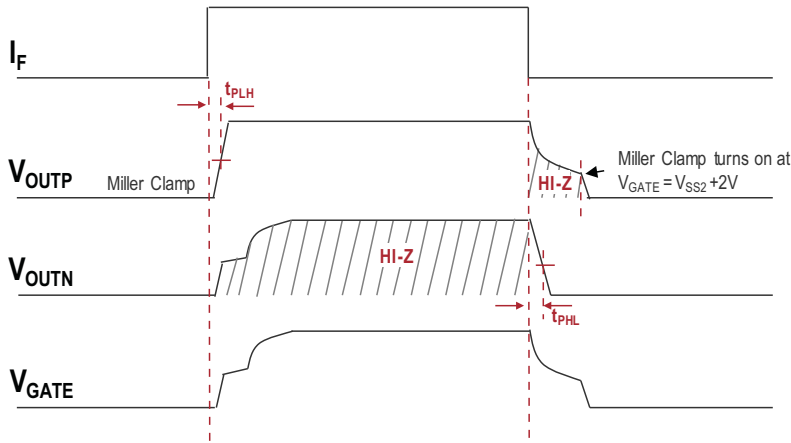
The total blanking time is calculated in terms of internal blanking time ($t_{OC(BLANKING)}$), external capacitance (C_{BLANK}), FAULT threshold voltage (V_{OC}), and blanking capacitor charge current (I_{CHG}) as:

$$t_{BLANK} = t_{OC(BLANKING)} + C_{BLANK} \times V_{OC} / I_{CHG}$$

Description of Gate Driver and Miller Clamping

The gate driver is directly controlled by the LED current. When LED current is driven high the output of ACPL-352J is capable of delivering 5A maximum sourcing current to drive the IGBT's/MOSFET's gate. While LED is switched off the gate driver can provide 5A maximum sinking current to switch the gate off fast. Additional miller clamping pull-down transistor is activated when output voltage reaches about 2V with respect to V_{SS2} to provide low impedance path to miller current as shown in Figure 22.

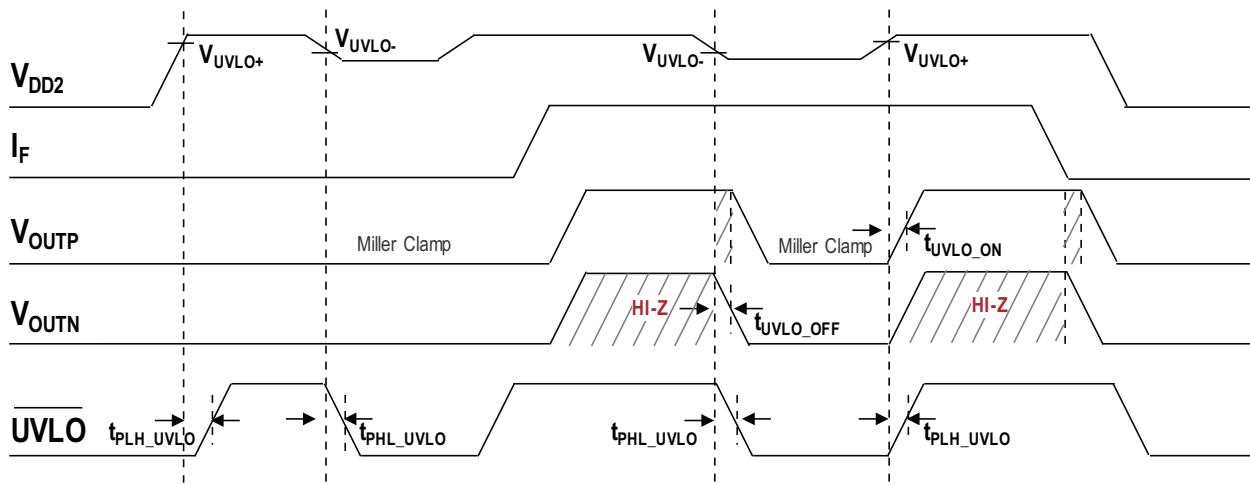
Figure 22 Gate Drive Signal Behavior



Description of Under Voltage Lock Out

Insufficient gate voltage to IGBT/MOSFET can increase turn on resistance of IGBT/MOSFET, resulting a large power loss and IGBT/MOSFET damage due to high heat dissipation. ACPL-352J monitors the output power supply, V_{DD2} constantly. When output power supply is lower than under voltage lockout (UVLO) threshold gate driver output shuts off to protect IGBT/MOSFET from low voltage bias. During power up, the UVLO feature locks the gate driver output low to prevent unwanted turn on at lower supply voltage.

Figure 23 Circuit Behaviors at Power Up and Power Down



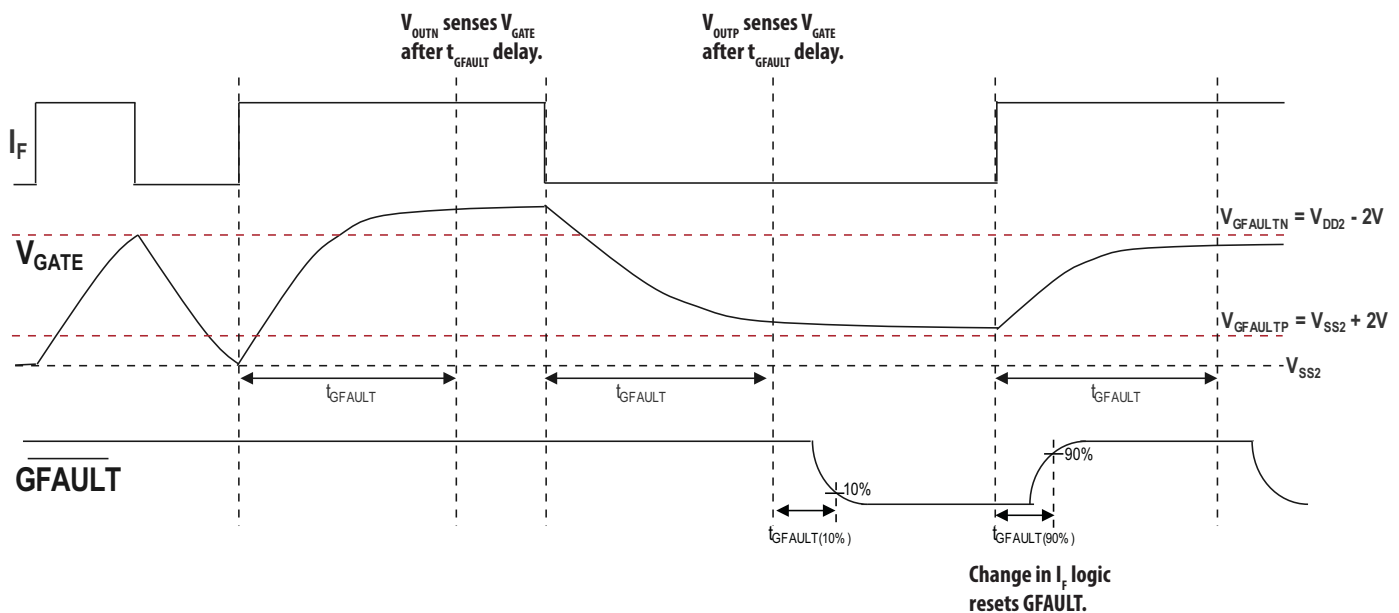
Description of Gate Status Monitoring

The status of the IGBT/MOSFET gate voltage is monitored by output pins V_{OUTP} and V_{OUTN} . The GFAULT output goes low when the gate voltage does not correspond to the LED input logic. The status of the gate is checked after a minimum delay time t_{GFAULT} to allow sufficient time for the gate to charge or discharge to its final level. There is no check for short input pulses to prevent false GFAULT reporting since the gate is not be able to reach its intended level.

When the LED input logic is high, V_{OUTN} is sensed to check if the gate voltage is higher than $V_{DD2} - 2V$ after t_{GFAULT} delay. GFAULT output goes low if gate voltage is lower than $V_{DD2} - 2V$. Likewise, when the LED input logic is low, V_{OUTP} is sensed to check if the gate voltage is lower than $V_{SS2} + 2V$. GFAULT output returns to high upon input logic change or if the gate voltage manages to cross the threshold of $V_{DD2} - 2V$ or $V_{SS2} + 2V$.

As V_{OUTP} and CLAMP functions share the same pin, the gate voltage is continuously monitored by the V_{OUTP} whether it is in Hi-Z or CLAMP state when the LED input logic is low.

Figure 24 Circuit Behaviors during Gate Status Monitoring



Selecting the Gate Resistor (R_G)

Step 1: Calculate R_G minimum from the $I_{O(PEAK)}$ specification. The IGBT/MOSFET and R_G in Figure 20 can be analyzed as a simple RC circuit with a voltage supplied by ACPL-352J.

$$R_G \geq \frac{V_{DD2} - V_{SS2}}{I_{OPEAK}} - R_{OUT(MIN)}$$

$$= \frac{20 - (-5)V}{5A} - 0.4\Omega$$

$$= 4.6\Omega$$

or

$$R_G \geq \frac{V_{DD2} - V_{SS2}}{I_{OPEAK}} - R_{OUT(MIN)}$$

$$= \frac{20 - (-5)V}{5A} - 0.3\Omega$$

$$= 4.7\Omega$$

The external gate resistor, R_G and internal minimum turn-on resistance, $R_{DS(ON)}$ ensure the output current does not exceed the device absolute maximum rating of 5A. In this case, we use worst case $R_G \geq 4.8\Omega$.

Step 2: Check the ACPL-352J power dissipation and increase R_G if necessary. The ACPL-352J total power dissipation (P_T) is equal to the sum of the LED power (P_E), input IC power (P_I) and the output IC power (P_O).

$$P_T = P_E + P_I + P_O$$

Assuming operation conditions of $I_F = 8 \text{ mA}$, $R_G = 4.8\Omega$, Max Duty Cycle = 80%, $Q_G = 0.5 \mu\text{C}$, $f = 150 \text{ kHz}$ and $T_A = 80^\circ\text{C}$.

Calculation of LED Power Dissipation

$$\begin{aligned} P_E &= I_F \times V_F \times \text{Duty Cycle} \\ &= 8 \text{ mA} \times 1.95\text{V} \times 0.8 = 12.5 \text{ mW} \end{aligned}$$

Calculation of Input IC Power Dissipation

$$\begin{aligned} P_I &= I_{DD1} (\text{Max}) \times V_{DD1} (\text{Recommended Max}) \\ &= 2.5 \text{ mA} \times 5.5\text{V} = 13.75 \text{ mW} \end{aligned}$$

Calculation of Input IC Power Dissipation

$$\begin{aligned} P_O &= P_{O(\text{BIAS})} + P_{O(\text{SWITCHING})} \\ &= I_{DD2} \times (V_{DD2} - V_{SS2}) + P_{HS} + P_{LS} \\ P_{HS} &= (V_{DD2} \times Q_G \times f) \times R_{OUTP(\text{MAX})} / (R_{OUTP(\text{MAX})} + R_G) / 2 \\ P_{LS} &= (V_{DD2} \times Q_G \times f) \times R_{OUTN(\text{MAX})} / (R_{OUTN(\text{MAX})} + R_G) / 2 \end{aligned}$$

$$P_{HS} = (25\text{V} \times 0.5 \mu\text{C} \times 150 \text{ kHz}) \times 1.5\Omega / (1.5\Omega + 4.8\Omega) / 2 = 192.64 \text{ mW}$$

$$P_{LS} = (25\text{V} \times 0.5 \mu\text{C} \times 150 \text{ kHz}) \times 1.2\Omega / (1.2\Omega + 4.8\Omega) / 2 = 160.71 \text{ mW}$$

$$\begin{aligned} P_O &= 7.5 \text{ mA} \times 25\text{V} + 192.64 \text{ mW} + 160.71 \text{ mW} \\ &= 540.9 \text{ mW} < 600 \text{ mW} (P_{O(\text{MAX})} \text{ at } 95^\circ\text{C}) \end{aligned}$$

The value of 7.5 mA for I_{DD2} in the previous equation is the maximum I_{CC2} over the entire operating temperature range.

Since P_O is less than $P_{O(\text{MAX})}$, $R_G = 4.8\Omega$ is alright for the power dissipation.

Thermal Calculation

Application and environmental design for ACPL-352J needs to ensure that the junction temperature of the internal ICs and LED within the gate driver optocoupler do not exceed 125°C . The equations provided below are for the purposes of calculating the maximum power dissipation effect on junction temperatures.

$$\begin{aligned} \text{LED Junction Temperature, } T_E &= (A_{EA} \times P_E) + (A_{EI} \times P_I) + (A_{EO} \times P_O) + T_A \\ &= (176.1^\circ\text{C/W} \times 12.5 \text{ mW}) + (35.4^\circ\text{C/W} \times 13.75 \text{ mW}) + (33.1^\circ\text{C/W} \times 540.9 \text{ mW}) + 80^\circ\text{C} \\ &= 100.6^\circ\text{C} \end{aligned}$$

$$\begin{aligned} \text{Input IC Junction Temperature, } T_I &= (A_{EI} \times P_E) + (A_{IA} \times P_I) + (A_{IO} \times P_O) + T_A \\ &= (35.4^\circ\text{C/W} \times 12.5 \text{ mW}) + (92^\circ\text{C/W} \times 13.75 \text{ mW}) + (25.6^\circ\text{C/W} \times 540.9 \text{ mW}) + 80^\circ\text{C} \\ &= 95.6^\circ\text{C} \end{aligned}$$

$$\begin{aligned} \text{Output IC Junction Temperature, } T_O &= (A_{EO} \times P_E) + (A_{IO} \times P_I) + (A_{OA} \times P_O) + T_A \\ &= (33.1^\circ\text{C/W} \times 12.5 \text{ mW}) + (25.6^\circ\text{C/W} \times 13.75 \text{ mW}) + (76.7^\circ\text{C/W} \times 540.9 \text{ mW}) + 80^\circ\text{C} \\ &= 122.2^\circ\text{C} \end{aligned}$$

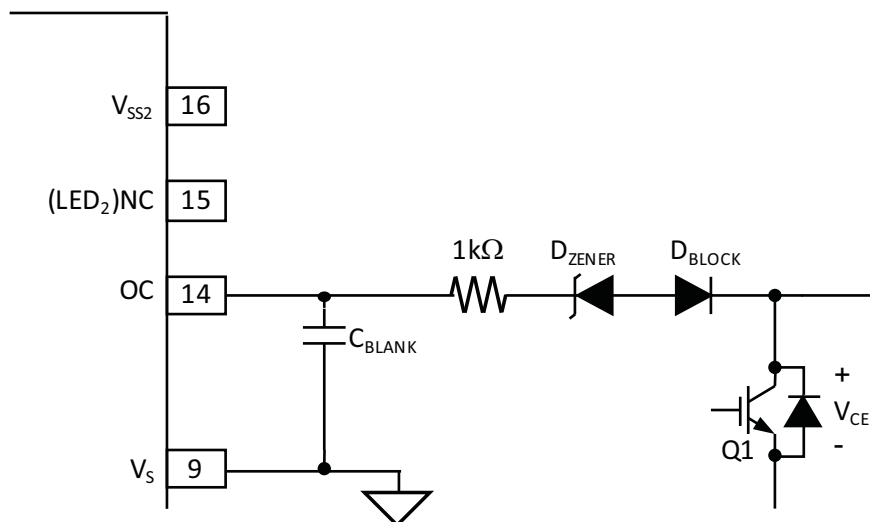
OC (Overcurrent) Blocking Diodes and Threshold

The D_{BLOCK} diode's function is to conduct forward current, allowing sensing of the IGBT's V_{CE} or MOSFET's V_{DS} when it is *on* and to block high voltages when it is *off*.

During IGBT/MOSFET switching off and towards the end of the forward conduction of the D_{BLOCK} diode, a reverse current flow for short time. This reverse recovery effect causes the diode not able to achieve its blocking capability until the mobile charge in the junction is depleted. During this time, there is commonly a very high dV/dt voltage ramp rate across the IGBT/MOSFET. This results in $I_{\text{CHARGE}} = C_{\text{D-BLOCK}} \times dV/dt$ charging current, which charges the blanking capacitor, C_{BLANK} . In order to minimize this charging current and avoid false overcurrent triggering, it is best to use fast response diodes.

In the recommended application circuit shown in Figure 25, the voltage on pin 14 (OC) is $V_{\text{OC}} = V_{\text{F}} + V_{\text{CE}}$, (where V_{F} is the forward ON voltage of D_{BLOCK} and V_{CE} is for example, the IGBT collector-to-emitter voltage). The value of $V_{\text{OC,FAULT(TH)}}$ that triggers OC to signal a FAULT condition is nominally $9\text{V} - V_{\text{F}}$. If desired, this threshold voltage can be decreased by using multiple D_{BLOCK} diodes or low voltage zener diode in series. If n is the number of D_{BLOCK} diodes, the nominal threshold value becomes $V_{\text{OC,FAULT(TH)}} = 9\text{V} - n \times V_{\text{F}}$. If a Zener diode is used, the nominal threshold value becomes $V_{\text{OC,FAULT(TH)}} = 7\text{V} - V_{\text{F}} - V_{\text{Z}}$. In the case of using two diodes instead of one, diodes with half of the total required maximum reverse-voltage rating may be chosen.

Figure 25 OC (Overcurrent) Blocking Diodes and Threshold



OC Pin Protection Resistor

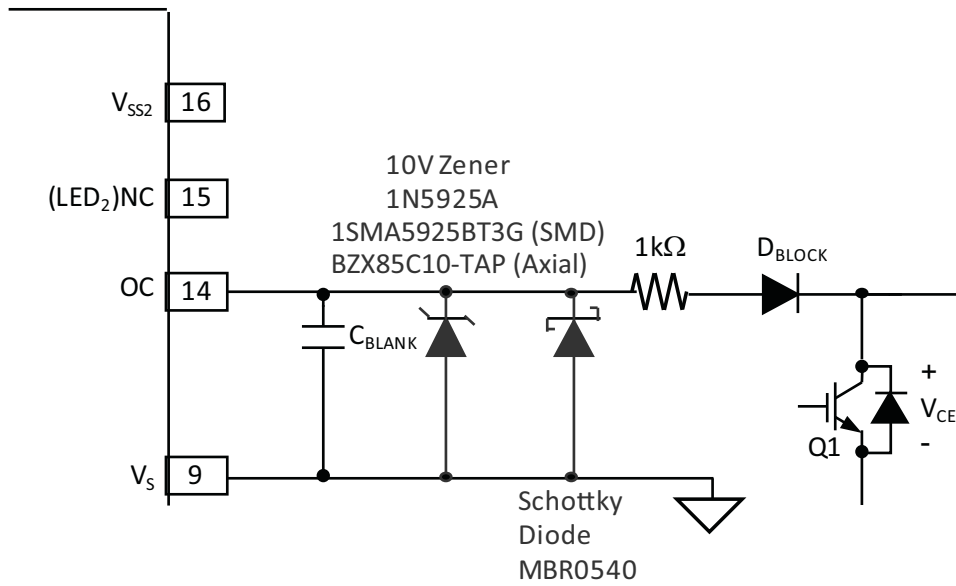
The freewheeling of flyback diodes connected across the IGBT/MOSFET can have large instantaneous forward voltage transients which greatly exceed the nominal forward voltage of the diode. This can result in a large negative voltage spike on the OC pin which draws substantial current out of the driver if protection is not used. To limit this current to levels that do not damage the driver IC, a 1-k Ω resistor should be inserted in series with the D_{BLOCK} diode.

False Fault Prevention Diodes

One of the situations that can cause the driver to generate a false fault signal is if the substrate diode of the driver becomes forward biased. This can happen if the reverse recovery spikes coming from the IGBT/MOSFET freewheeling diodes bring the OC pin below ground. Hence, the OC pin voltage is *brought* above the threshold voltage. This negative going voltage spike is typically generated by inductive loads or reverse recovery spikes of the IGBT/MOSFETs free-wheeling diodes. In order to prevent a false fault signal, it is highly recommended to connect a Zener diode and Schottky diode across the OC pin and V_{S} pin.

This circuit solution is shown in Figure 26. The Schottky diode prevents the substrate diode of the gate driver optocoupler from being forward biased while the Zener diode (value around 10V) is used to prevent any positive high transient voltage to affect the OC pin.

Figure 26 False Fault Prevention Diodes



Supply and Ground Planes Layout and Loading Conditions

At 5A rated high current switching, decoupling capacitor must be close to V_{DD} and V_{SS} pins. And due to the fast switching, large V_{DD} and V_{SS} planes are recommended to prevent noise by lowering the parasitic inductance. Without the V_{DD} and V_{SS} planes, it is recommended to connect total load bigger than 2-nF during all applications or board testing to prevent output noise.

Figure 27 Recommended V_{DD2} and V_{SS2} , Supply and Ground Planes Layout

