



Chipsmall Limited consists of a professional team with an average of over 10 year of expertise in the distribution of electronic components. Based in Hongkong, we have already established firm and mutual-benefit business relationships with customers from,Europe,America and south Asia,supplying obsolete and hard-to-find components to meet their specific needs.

With the principle of “Quality Parts,Customers Priority,Honest Operation,and Considerate Service”,our business mainly focus on the distribution of electronic components. Line cards we deal with include Microchip,ALPS,ROHM,Xilinx,Pulse,ON,Everlight and Freescale. Main products comprise IC,Modules,Potentiometer,IC Socket,Relay,Connector.Our parts cover such applications as commercial,industrial, and automotives areas.

We are looking forward to setting up business relationship with you and hope to provide you with the best service and solution. Let us make a better world for our industry!



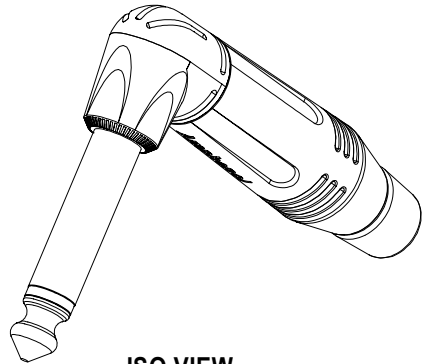
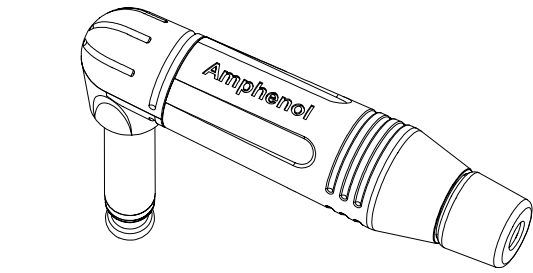
Contact us

Tel: +86-755-8981 8866 Fax: +86-755-8427 6832

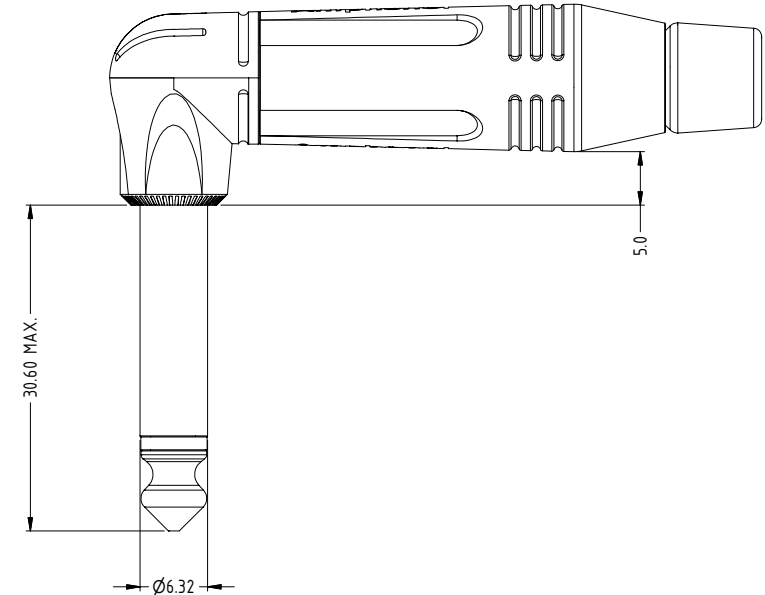
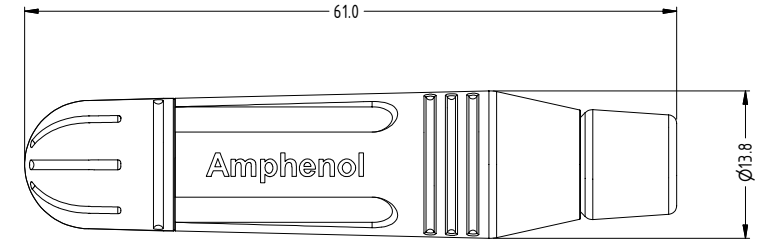
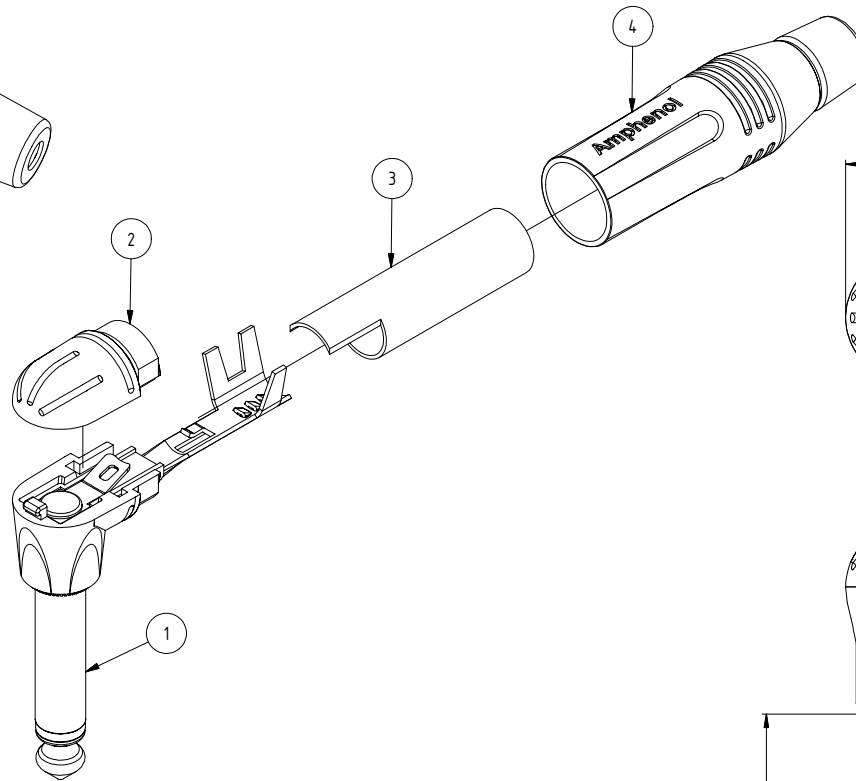
Email & Skype: info@chipsmall.com Web: www.chipsmall.com

Address: A1208, Overseas Decoration Building, #122 Zhenhua RD., Futian, Shenzhen, China





ISO VIEW



Mono Connector Assembly - Parts List				
ITEM	PART NUMBER	DWG No	DESCRIPTION	QTY
1	50310028-*30	50310028-130-1	RA-MONO PLUG INSERT CONTACT ASSEMBLY	1
2	50300105-*21	50300105-121-1	RA-TOP CAP	1
3	51270031-521	51270031-521-1	RA-BIG TUBE PVC INSULATOR	1
4	53490001-*31	53490001-331-1	M-SERIES BACKSHELL ASSEMBLY	1

Part Number according to Shell and Contact Finish			
CATALOGUE P/No.	REFERENCE P/No.	SHELL FINISH	CONTACT FINISH
ACPM-RN	55010303-000	NICKEL	NICKEL TIP AND SLEEVE
ACPM-RN-AU	55010303-001	NICKEL	GOLD TIP AND SLEEVE
ACPM-RB	55010303-002	BLACK	NICKEL TIP AND SLEEVE
ACPM-RB-AU	55010303-003	BLACK	GOLD TIP AND SLEEVE

UNLESS OTHERWISE SPECIFIED TOLERANCE TO BE		THIS DOCUMENT IS THE PROPERTY OF AMPHENOL AUSTRALIA PTY LTD. NO PART THEREOF MAY BE REPRODUCED AND USED WITHOUT THE PRIOR WRITTEN CONSENT OF THE OWNER				1 UPDATE ASSEMBLY TO COMPLY WITH MODIFIED COMPONENTS		L.V	10-05-05	8374
LINEAR		ANGULAR		CAD FILE: 55010303000111		0 FIRST ISSUE		L.V	26-08-04	----
X ± 0.5	X ± 1	X' ± 30'	X' ± 15'	DSD: L.V	DATE: 26-08-04	REV. CHANGE DETAILS		BY	DATE	CHG/No
X.XX ± 0.1	X.XX ± 0.05	X' ± 30'	X' ± 15'	MATL: REFER TO COMPONENTS	CKD: M.N.H	DATE: 17-06-05	TITLE: 1/4" PHONE PLUG RA - MONO CONNECTOR ASSY			
BREAK ALL SHARP EDGES AND REMOVE ALL BURRS		FINISH: SEE TABLE		APP'D: P.M	DATE: 29-06-05	DRAWING NO. 55010303-000-1		SHEET 1/1		
DO NOT SCALE		DIMENSIONS IN MILLIMETRES		SCALE: 2:1 UOS	PART No: REFER TO TABLE	SIZE: A3				

Amphenol
Amphenol Australia Pty Ltd, 2 Fineways Blvd, Keysborough, Vic3173