



Chipsmall Limited consists of a professional team with an average of over 10 year of expertise in the distribution of electronic components. Based in Hongkong, we have already established firm and mutual-benefit business relationships with customers from,Europe,America and south Asia,supplying obsolete and hard-to-find components to meet their specific needs.

With the principle of “Quality Parts,Customers Priority,Honest Operation,and Considerate Service”,our business mainly focus on the distribution of electronic components. Line cards we deal with include Microchip,ALPS,ROHM,Xilinx,Pulse,ON,Everlight and Freescale. Main products comprise IC,Modules,Potentiometer,IC Socket,Relay,Connector.Our parts cover such applications as commercial,industrial, and automotives areas.

We are looking forward to setting up business relationship with you and hope to provide you with the best service and solution. Let us make a better world for our industry!



Contact us

Tel: +86-755-8981 8866 Fax: +86-755-8427 6832

Email & Skype: info@chipsmall.com Web: www.chipsmall.com

Address: A1208, Overseas Decoration Building, #122 Zhenhua RD., Futian, Shenzhen, China



ACPP Precision Surface Mount Passivated Resistors



- Precision thin film technology
- Extended ohmic range 10R – 1M5
- Precision to $\pm 0.1\%$ and 15ppm/ $^{\circ}\text{C}$
- Passivated range for superior humidity performance
- RoHS Compliant



Characteristics

Tolerance (Code):	$\pm 0.1\%$ (B), $\pm 0.25\%$ (C), $\pm 0.5\%$ (D)
Operating temperature:	-55°C to $+155^{\circ}\text{C}$
Temperature coefficient:	$\pm 15\text{ppm}/^{\circ}\text{C}$, $\pm 25\text{ppm}/^{\circ}\text{C}$, $\pm 50\text{ppm}/^{\circ}\text{C}$
Overload:	$\leq \pm 0.2\%$, $\leq \pm 0.1\%$ (ACPP0402), RCWV*2.5 or maximum overload voltage (whichever is lowest) for 2 seconds
Thermal shock:	$\leq \pm 0.02\%$, $\leq \pm 0.1\%$ (ACPP0402), -55°C $+150^{\circ}\text{C}$ 100 cycles
Endurance:	$\leq \pm 0.05\%$, $\leq \pm 0.25\%$ (ACPP0402), $70 \pm 2^{\circ}\text{C}$, RCWV for 1000 hours with 1.5 hours on and 0.5 hours off
Humidity:	$\leq \pm 0.05\%$, $\leq \pm 0.5\%$ (ACPP0402), 1000 hours at $40 \pm 2^{\circ}\text{C}$, 90-95% R.H with 1.5 hours on and 0.5 hours off

Electrical Specifications

Type	Wattage	Maximum operating voltage	Maximum overload voltage	TCR ppm/ $^{\circ}\text{C}$	Ohmic value range
ACPP0402	0.0625	25V	50V	± 15	49R9 - 12K
				± 25	24R9 - 24K9
ACPP0603	0.0625	50V	100V	± 15	24R9 - 332K
				± 25	
				± 50	
ACPP0805	0.1	100V	200V	± 15	10R - 1M
				± 25	
				± 50	
ACPP1206	0.125	150V	300V	± 15	10R - 1M
				± 25	
				± 50	
ACPP2010	0.25	150V	300V	± 15	24R9 - 1M
				± 25	10R - 1M5
				± 50	
ACPP2512	0.5	150V	300V	± 15	24R9 - 1M
				± 25	10R - 1M5
				± 50	

ARCOL UK Limited,
 Threemilestone Ind. Estate,
 Truro, Cornwall, TR4 9LG, UK.
 T +44 (0) 1872 277431
 F +44 (0) 1872 222002
 E sales@arcolresistors.com

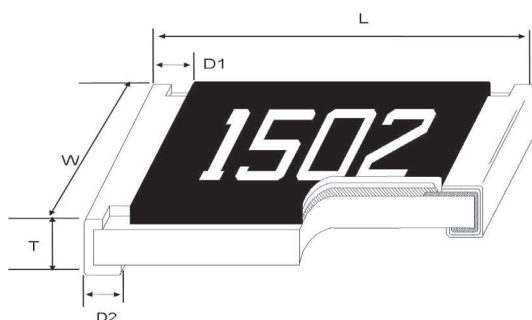
The information contained herein does not form part of a contract and is subject to change without notice. ARCOL operate a policy of continual product development, therefore, specifications may change.

It is the responsibility of the customer to ensure that the component selected from our range is suitable for the intended application. If in doubt please ask ARCOL.

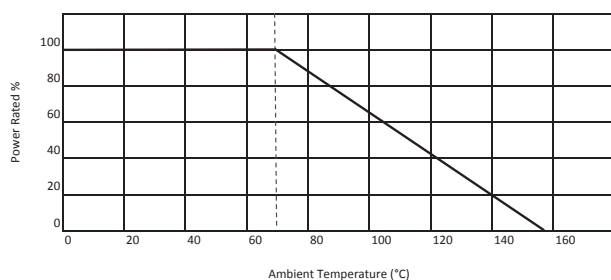
For more information and ordering, please consult
www.arcolresistors.com

Dimensions (mm)

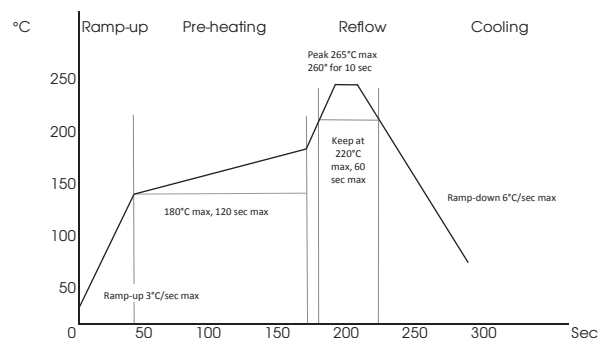
Series	L	W	T	D1	D2
ACPP0402	1.00 ± 0.05	0.50 ± 0.05	0.30 ± 0.05	0.20 ± 0.10	0.20 ± 0.10
ACPP0603	1.55 ± 0.10	0.80 ± 0.10	0.45 ± 0.10	0.30 ± 0.20	0.30 ± 0.20
ACPP0805	2.00 ± 0.15	1.25 ± 0.15	0.55 ± 0.10	0.30 ± 0.20	0.40 ± 0.20
ACPP1206	3.05 ± 0.15	1.55 ± 0.15	0.55 ± 0.10	0.42 ± 0.20	0.35 ± 0.20
ACPP2010	4.90 ± 0.15	2.40 ± 0.15	0.55 ± 0.10	0.60 ± 0.30	0.50 ± 0.20
ACPP2512	6.30 ± 0.15	3.10 ± 0.15	0.55 ± 0.10	0.60 ± 0.30	0.50 ± 0.20



Derating Curve



Soldering Curve



Ordering Procedure

Standard Resistor: Series, Resistance Value, Tolerance, TCR
 .i.e: ACPP0603 100K B 15PPM

ARCOL UK Limited,
 Threemilestone Ind. Estate,
 Truro, Cornwall, TR4 9LG, UK.
 T +44 (0) 1872 277431
 F +44 (0) 1872 222002
 E sales@arcolresistors.com

www.arcolresistors.com

The information contained herein does not form part of a contract and is subject to change without notice. ARCOL operate a policy of continual product development, therefore, specifications may change.

It is the responsibility of the customer to ensure that the component selected from our range is suitable for the intended application. If in doubt please ask ARCOL.