



Chipsmall Limited consists of a professional team with an average of over 10 year of expertise in the distribution of electronic components. Based in Hongkong, we have already established firm and mutual-benefit business relationships with customers from,Europe,America and south Asia,supplying obsolete and hard-to-find components to meet their specific needs.

With the principle of “Quality Parts,Customers Priority,Honest Operation,and Considerate Service”,our business mainly focus on the distribution of electronic components. Line cards we deal with include Microchip,ALPS,ROHM,Xilinx,Pulse,ON,Everlight and Freescale. Main products comprise IC,Modules,Potentiometer,IC Socket,Relay,Connector.Our parts cover such applications as commercial,industrial, and automotives areas.

We are looking forward to setting up business relationship with you and hope to provide you with the best service and solution. Let us make a better world for our industry!



Contact us

Tel: +86-755-8981 8866 Fax: +86-755-8427 6832

Email & Skype: info@chipsmall.com Web: www.chipsmall.com

Address: A1208, Overseas Decoration Building, #122 Zhenhua RD., Futian, Shenzhen, China



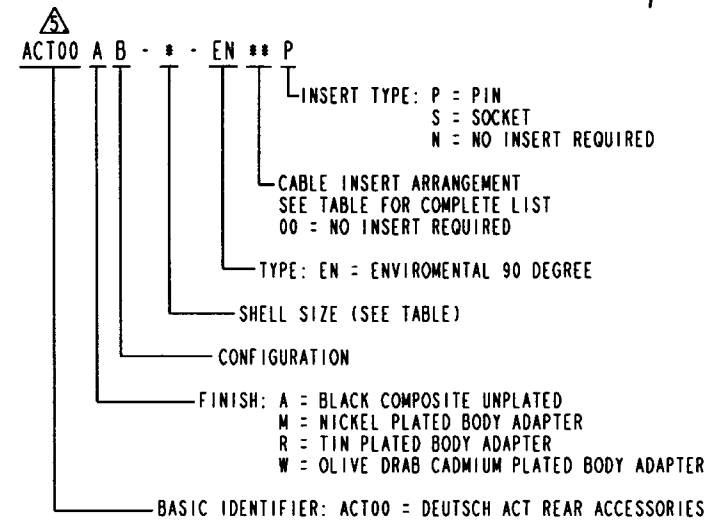
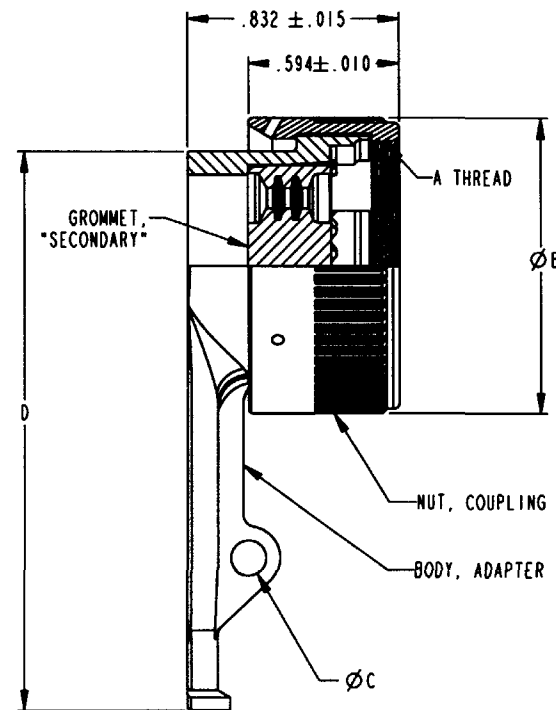
PROPERTY OF DEUTSCH E.C.D.

This drawing contains proprietary information that shall not be disclosed, duplicated, nor used in whole or in part for any purpose other than to evaluate this drawing.

D ACT00*B-**-EN***

REVISIONS			
REV	DESCRIPTION	DATE	APPROVED
D	REDRAWN PER E.O. C4837	3-9-01	[Signature]

CABLE CODE	INSERT ARRANGEMENT	CABLE CODE	INSERT ARRANGEMENT
38	09-35	61	23-21
39	09-98	62	23-35
40	11-05	63	23-53
41	11-35	64	23-55
42	11-99	65	25-04
43	13-04	66	25-19
44	13-35	67	25-20
45	13-98	68	25-24
46	15-05	69	25-29
47	15-18	70	25-35
48	15-35	71	25-61
49	15-97	92	11-98
50	17-06	93	15-19
51	17-08	94	13-08
52	17-26	95	17-99
53	17-35	96	21-39
54	19-11	97	25-43
55	19-32	98	15-23
56	19-35	99	17-19
57	21-11	100	15-26
58	21-16		
59	21-35		
60	21-41		



- △ FOR PART NUMBER BREAKDOWN, SEE TABLE.
- RECOMMENDED TORQUE: SHELL SIZES A-E : 20-30 IN./LBS.
SHELL SIZES F-J : 35-45 IN./LBS.
 - MATERIAL: COUPLING NUT: COMPOSITE
ADAPTER BODY: COMPOSITE
SECONDARY GROMMET: SILICONE ELASTOMER
 - CONSULT FACTORY FOR AVAILABILITY.
 - ALL DIMENSIONS ARE IN INCHES UNLESS OTHERWISE SPECIFIED.
THREAD CALLOUTS ARE METRIC.

DEUTSCH PART NUMBER ***	SHELL SIZE	A THREAD	B Ø ±.015	C Ø ±.010	D ±.020
ACT00*B-A-EN***	A	M12X1.0-6H 0.100R	.650	.140	1.948
ACT00*B-B-EN***	B	M15X1.0-6H 0.100R	.775	.140	2.010
ACT00*B-C-EN***	C	M18X1.0-6H 0.100R	.905	.140	2.075
ACT00*B-D-EN***	D	M22X1.0-6H 0.100R	1.030	.140	2.135
ACT00*B-E-EN***	E	M25X1.0-6H 0.100R	1.160	.140	2.198
ACT00*B-F-EN***	F	M28X1.0-6H 0.100R	1.270	.140	2.258
ACT00*B-G-EN***	G	M31X1.0-6H 0.100R	1.400	.140	2.320
ACT00*B-H-EN***	H	M34X1.0-6H 0.100R	1.525	.140	2.383
ACT00*B-J-EN***	J	M37X1.0-6H 0.100R	1.655	.140	2.445

SIGNATURE & DATE	
DR	A. RASMUSSEN 20FEB01
CHK	[Signature] 3-9-01
PE	[Signature] 3-9-01
APPD	[Signature] 3-20-01
SCALE	NONE WT

STRAIN RELIEF
90 DEGREE ONE ARM STYLE
LIGHT DUTY
ACT SERIES
ENVELOPE

CP []
DEUTSCH
 ENGINEERED CONNECTING DEVICES
 5733 W. Whittier Ave.
 Hemet, California
A ACT00*B-**-EN***
 SHEET 1 OF 1