



Chipsmall Limited consists of a professional team with an average of over 10 year of expertise in the distribution of electronic components. Based in Hongkong, we have already established firm and mutual-benefit business relationships with customers from,Europe,America and south Asia,supplying obsolete and hard-to-find components to meet their specific needs.

With the principle of “Quality Parts,Customers Priority,Honest Operation,and Considerate Service”,our business mainly focus on the distribution of electronic components. Line cards we deal with include Microchip,ALPS,ROHM,Xilinx,Pulse,ON,Everlight and Freescale. Main products comprise IC,Modules,Potentiometer,IC Socket,Relay,Connector.Our parts cover such applications as commercial,industrial, and automotives areas.

We are looking forward to setting up business relationship with you and hope to provide you with the best service and solution. Let us make a better world for our industry!



Contact us

Tel: +86-755-8981 8866 Fax: +86-755-8427 6832

Email & Skype: info@chipsmall.com Web: www.chipsmall.com

Address: A1208, Overseas Decoration Building, #122 Zhenhua RD., Futian, Shenzhen, China



ACX Series • High Accuracy Current Transformers

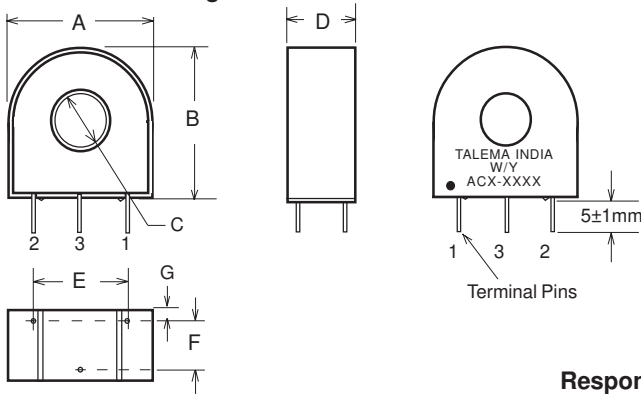
Features

- Primary current range 50-150A
 - 1% accuracy
 - Operating frequency 50/60Hz
 - Turns Ratio 2500 : 1
 - Rated burden resistance 33 Ohms
 - Dielectric withstand voltage 4KVrms
 - Operating temperature range -40 to +85°C
 - All Materials UL94V-0
- Manufactured in an ISO 9001:2008, ISO/TS 16949:2009 and ISO 14001:2004 certified Talema facility
 - Fully RoHS & REACH Compliant

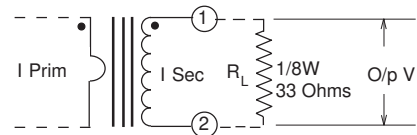


Electrical Specifications @ 20°C			Dimensions							
Part No.	Current Rating in Amps	Winding Resistance in Ohms	A	B	C	D	E	F	G	Pin Ø
ACX-1050	50	171	23.80	23.80	Ø9.50	11.12	15.24	7.62	1.75	Ø0.813
ACX-1075	75	227	30.20	30.20	Ø11.40	14.30	20.32	10.16	2.08	Ø1.016
ACX-1100	100	155	34.90	34.90	Ø14.60	14.30	25.40	10.16	2.08	Ø1.016
ACX-1150	150	135	38.10	38.10	Ø14.60	15.90	33.00	10.16	2.85	Ø1.016

Mechanical Drawing



Schematic



Notes:

- 1) Dimensional Unit: mm, Tolerance: ±0.25mm (Unless Specified)
Pin Pitch Tolerance: ±0.10mm
- 2) Pin #3 for Mechanical Support.

Response Curves

