



Chipsmall Limited consists of a professional team with an average of over 10 year of expertise in the distribution of electronic components. Based in Hongkong, we have already established firm and mutual-benefit business relationships with customers from,Europe,America and south Asia,supplying obsolete and hard-to-find components to meet their specific needs.

With the principle of "Quality Parts,Customers Priority,Honest Operation,and Considerate Service",our business mainly focus on the distribution of electronic components. Line cards we deal with include Microchip,ALPS,ROHM,Xilinx,Pulse,ON,Everlight and Freescale. Main products comprise IC,Modules,Potentiometer,IC Socket,Relay,Connector.Our parts cover such applications as commercial,industrial, and automotives areas.

We are looking forward to setting up business relationship with you and hope to provide you with the best service and solution. Let us make a better world for our industry!



Contact us

Tel: +86-755-8981 8866 Fax: +86-755-8427 6832

Email & Skype: info@chipsmall.com Web: www.chipsmall.com

Address: A1208, Overseas Decoration Building, #122 Zhenhua RD., Futian, Shenzhen, China



ACZRA4728-HF Thru. ACZRA4764-HF

Voltage: 3.3 to 100 Volts

Power: 1.0 Watts

RoHS Device

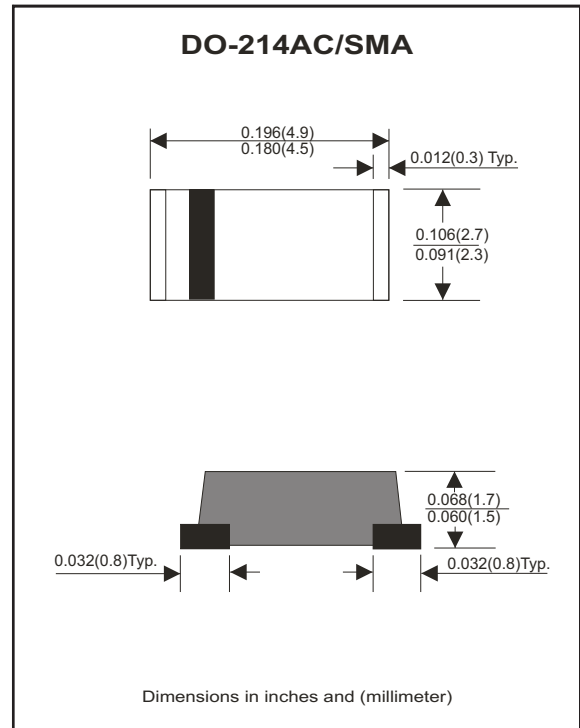
Halogen Free

Features

- Batch process design, excellent power dissipation offers better reverse leakage current and thermal resistance.
- Standard zener voltage tolerance $\pm 5\%$.
- Low inductance.
- Low profile package.
- Built-in strain relief.
- Comply with AEC-Q101.

Mechanical data

- Epoxy: UL94V-0 rated flame retardant.
- Case: Molded plastic, JEDEC DO-214AC/SMA
- Terminals: Solder Plated, solderable per MIL-STD-750, method 2026.
- Polarity: Indicated by cathode band.
- Mounting position: Any.
- Weight: 0.05 gram (approx.).



Maximum Ratings (T_A=25°C, unless otherwise noted)

Parameter	Condition	Symbol	MIN.	TYP.	MAX.	Units
Forward voltage	IF = 200 mA	V _F			1.20	V
Power Dissipation	@TL = 75°C	P _D			1000	mW
Thermal resistance	Junction to case (Note 1)	R _{θJC}		30		°C/W
	Junction to ambient (Note 1)	R _{θJA}		50		°C/W
Operating temperature		T _J	-55		+150	°C
Storage temperature		T _{STG}	-65		+175	°C

Note: 1. Mounted on 0.2"x0.2"(5x5mm)FR-4 PCB.

Electrical Characteristics (at TA = 25°C unless otherwise noted)

Part Number	Marking Code	Zener Voltage	Test Current	Zener Impedance			Leakage Current		Surge Current
		Vz@IzT	IzT	ZzT @ IzT	Zzk @ Izk	Izk	IR	VR	Isurge
		Volts	mA	(Ω)Max	(Ω)Max	mA	(uA)Max	Volts	mA
ACZRA4728-HF	Z3V3	3.3	76	10	400	1.0	100	1.0	1380
ACZRA4729-HF	Z3V6	3.6	69	10	400	1.0	100	1.0	1260
ACZRA4730-HF	Z3V9	3.9	64	9	400	1.0	50	1.0	1190
ACZRA4731-HF	Z4V3	4.3	58	9	400	1.0	10	1.0	1070
ACZRA4732-HF	Z4V7	4.7	53	8	500	1.0	10	1.0	970
ACZRA4733-HF	Z5V1	5.1	49	7	550	1.0	10	1.0	890
ACZRA4734-HF	Z5V6	5.6	45	5	600	1.0	10	2.0	810
ACZRA4735-HF	Z6V2	6.2	41	2	700	1.0	10	3.0	730
ACZRA4736-HF	Z6V8	6.8	37	3.5	700	1.0	10	4.0	660
ACZRA4737-HF	Z7V5	7.5	34	4	700	0.5	10	5.0	605
ACZRA4738-HF	Z8V2	8.2	31	4.5	700	0.5	10	6.0	550
ACZRA4739-HF	Z9V1	9.1	28	5	700	0.5	10	7.0	500
ACZRA4740-HF	Z10	10	25	7	700	0.25	10	7.6	454
ACZRA4741-HF	Z11	11	23	8	700	0.25	5	8.4	414
ACZRA4742-HF	Z12	12	21	9	700	0.25	5	9.1	380
ACZRA4743-HF	Z13	13	19	10	700	0.25	5	9.9	344
ACZRA4744-HF	Z15	15	17	14	700	0.25	5	11.4	304
ACZRA4745-HF	Z16	16	15.5	16	700	0.25	5	12.2	285
ACZRA4746-HF	Z18	18	14	20	750	0.25	5	13.7	250
ACZRA4747-HF	Z20	20	12.5	22	750	0.25	5	15.2	225
ACZRA4748-HF	Z22	22	11.5	23	750	0.25	5	16.7	205
ACZRA4749-HF	Z24	24	10.5	25	750	0.25	5	18.2	190
ACZRA4750-HF	Z27	27	9.5	35	750	0.25	5	20.6	170
ACZRA4751-HF	Z30	30	8.5	40	1000	0.25	5	22.8	150
ACZRA4752-HF	Z33	33	7.5	45	1000	0.25	5	25.1	135
ACZRA4753-HF	Z36	36	7.0	50	1000	0.25	5	27.4	125
ACZRA4754-HF	Z39	39	6.5	60	1000	0.25	5	29.7	115
ACZRA4755-HF	Z43	43	6.0	70	1500	0.25	5	32.7	110

Note: 5% tolerance of Zener voltage.

Company reserves the right to improve product design , functions and reliability without notice.

REV:A

Electrical Characteristics (at $T_A = 25^\circ\text{C}$ unless otherwise noted)

Part Number	Marking Code	Zener Voltage	Test Current	Zener Impedance			Leakage Current		Surge Current
		$V_Z @ I_{ZT}$	I_{ZT}	$Z_{ZT} @ I_{ZT}$	$Z_{ZK} @ I_{ZK}$	I_{ZK}	I_R	V_R	I_{surge}
		Volts	mA	(Ω)Max	(Ω)Max	mA	(μA)Max	Volts	mA
ACZRA4756-HF	Z47	47	5.5	80	1500	0.25	5	35.8	95
ACZRA4757-HF	Z51	51	5.0	95	1500	0.25	5	38.8	90
ACZRA4758-HF	Z56	56	4.5	110	2000	0.25	5	42.6	80
ACZRA4759-HF	Z62	62	4.0	125	2000	0.25	5	47.1	70
ACZRA4760-HF	Z68	68	3.7	150	2000	0.25	5	51.7	65
ACZRA4761-HF	Z75	75	3.3	175	2000	0.25	5	56.0	60
ACZRA4762-HF	Z82	82	3.0	200	3000	0.25	5	62.2	55
ACZRA4763-HF	Z91	91	2.8	250	3000	0.25	5	69.2	50
ACZRA4764-HF	Z100	100	2.5	350	3000	0.25	5	76.0	45

Note: 5% tolerance of Zener voltage.

RATING AND CHARACTERISTIC CURVES (ACZRA4728-HF Thru. ACZRA4764-HF)

Fig.1 - Max. Continuous Power Derating

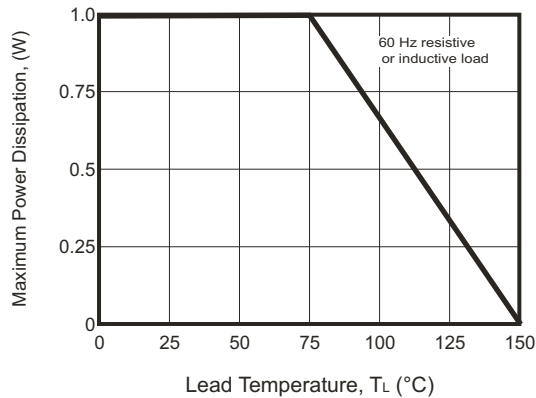
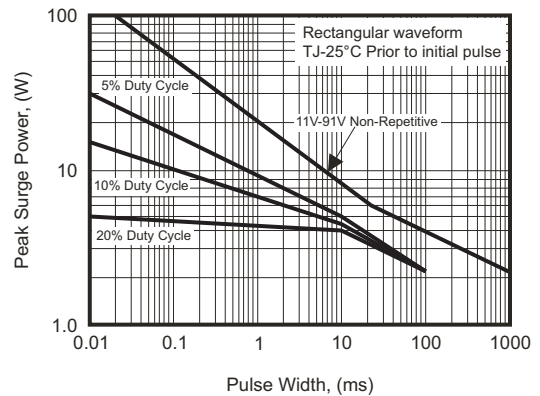


Fig.2 - Maximum surge power



RATING AND CHARACTERISTIC CURVES (ACZRA4728-HF Thru. ACZRA4764-HF)

Fig.3A - Range for Units to 12 Volts

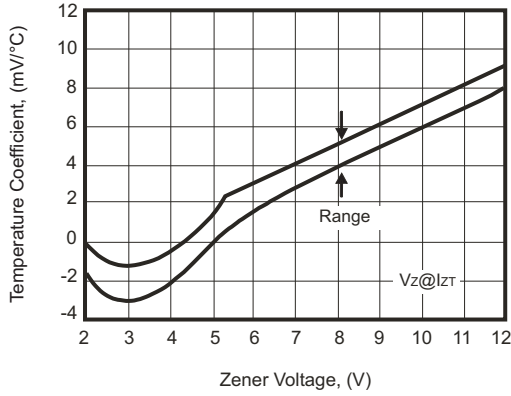


Fig.3B - Range for Units 12 to 100 Volts

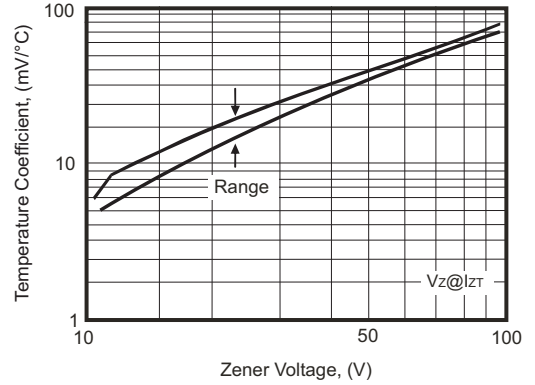


Fig.4 - Temperature Coefficients (-55°C to +150°C temperature change ; 90% of the units are in the ranges indicated.)

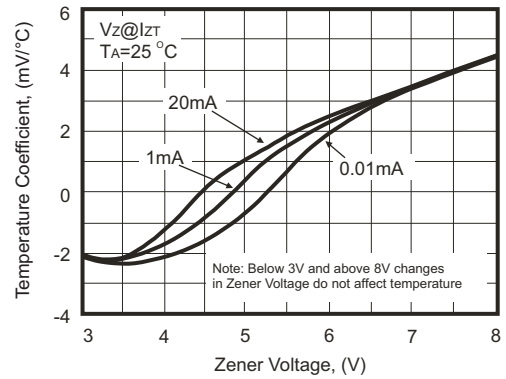
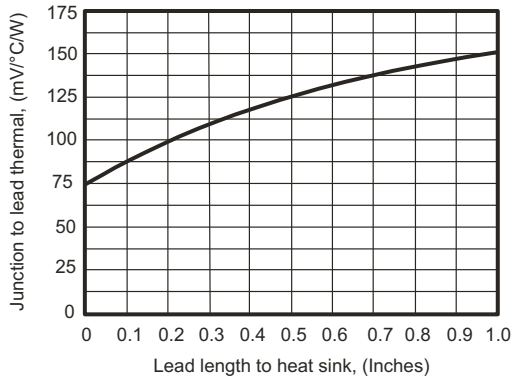


Fig.5 - Typical Thermal Resistance Versus Lead

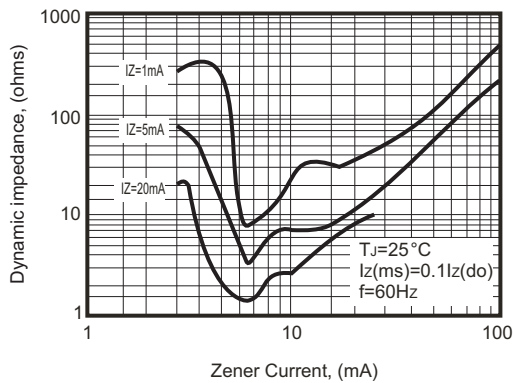
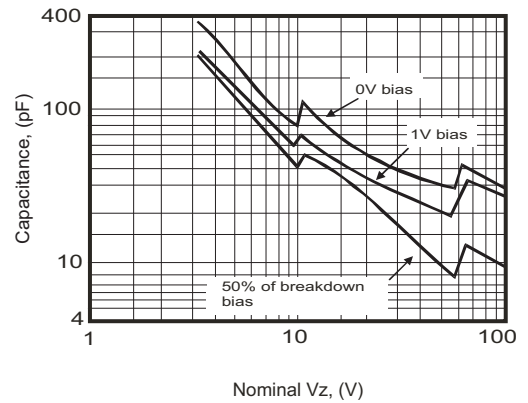


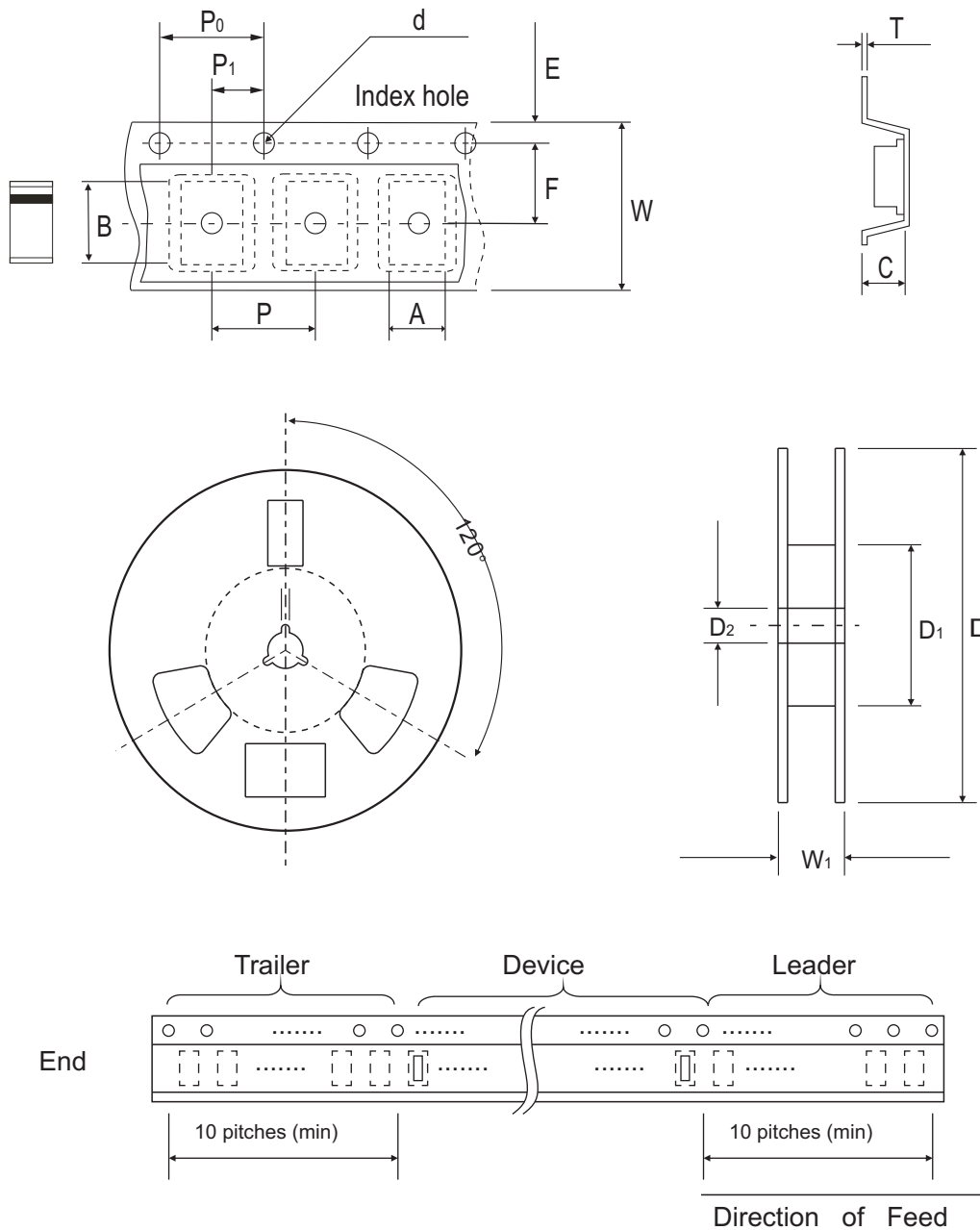
Fig.6 - Effect of Zener Current



Company reserves the right to improve product design , functions and reliability without notice.

REV:A

Reel Taping Specification



DO-214AC (SMA)	SYMBOL	A	B	C	d	D	D1	D2
	(mm)	2.80 ± 0.10	5.00 ± 0.10	1.90 ± 0.10	1.50 ± 0.10	178.0 ± 2.00	62.0 MIN.	13.00 ± 0.50
	(inch)	0.110 ± 0.004	0.200 ± 0.004	0.075 ± 0.004	0.059 ± 0.004	7.008 ± 0.079	2.441 MIN.	0.512 ± 0.020

DO-214AC (SMA)	SYMBOL	E	F	P	P0	P1	W	W1
	(mm)	1.75 ± 0.10	5.50 ± 0.10	4.00 ± 0.10	4.00 ± 0.10	2.00 ± 0.10	12.00 ± 0.30	18.00 ± 1.00
	(inch)	0.069 ± 0.004	0.216 ± 0.004	0.157 ± 0.004	0.157 ± 0.004	0.079 ± 0.004	0.472 ± 0.012	0.709 ± 0.039

Company reserves the right to improve product design , functions and reliability without notice.

REV:A

Pinning information

Pin	Simplified outline	Symbol
PIN 1 Cathode PIN 2 Anode		

Marking Code

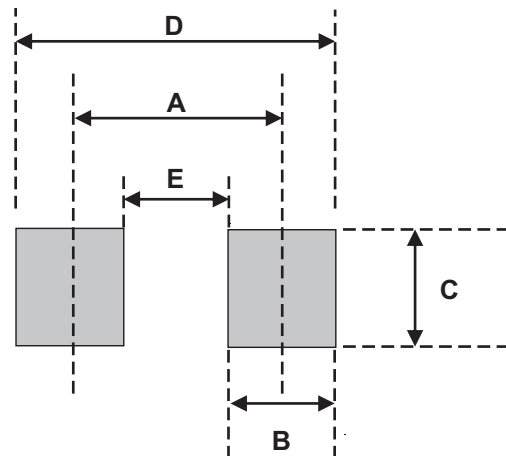
Part Number	Marking Code
ACZRA4728-HF ~ ACZRA4764-HF	XXXX



Product type marking code (see page.2~3)

Suggested PAD Layout

SIZE	DO-214AC (SMA)	
	(mm)	(inch)
A	3.80	0.150
B	1.60	0.063
C	2.80	0.110
D	5.40	0.213
E	2.20	0.087



Standard Packaging

Case Type	REEL PACK	
	REEL (pcs)	Reel Size (inch)
DO-214AC (SMA)	2,000	7