



Chipsmall Limited consists of a professional team with an average of over 10 year of expertise in the distribution of electronic components. Based in Hongkong, we have already established firm and mutual-benefit business relationships with customers from,Europe,America and south Asia,supplying obsolete and hard-to-find components to meet their specific needs.

With the principle of “Quality Parts,Customers Priority,Honest Operation,and Considerate Service”,our business mainly focus on the distribution of electronic components. Line cards we deal with include Microchip,ALPS,ROHM,Xilinx,Pulse,ON,Everlight and Freescale. Main products comprise IC,Modules,Potentiometer,IC Socket,Relay,Connector.Our parts cover such applications as commercial,industrial, and automotives areas.

We are looking forward to setting up business relationship with you and hope to provide you with the best service and solution. Let us make a better world for our industry!



## Contact us

Tel: +86-755-8981 8866 Fax: +86-755-8427 6832

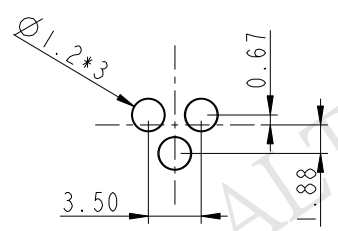
Email & Skype: info@chipsmall.com Web: www.chipsmall.com

Address: A1208, Overseas Decoration Building, #122 Zhenhua RD., Futian, Shenzhen, China

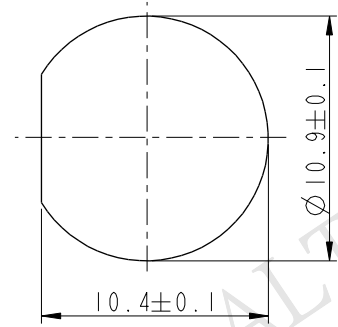


THIS DOCUMENT IS SUBJECT TO CHANGE WITHOUT NOTICE. IT IS CONFIDENTIAL AND A PROPERTY OF Amphenol LTW. DISCLOSURE TO THIRD PARTY HAS TO BE AUTHORIZED BY Amphenol LTW.

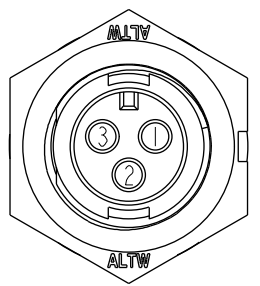
REV.	ECN NO.	DATE	SIGN	DESCRIPTION
B	LEN-750108	2007/04/23	A.F. Valentino	Changed Precision Of Dimensions And Applied New Format
C	LEN-8A0134	2008/09/15	Shin	Add Notes
D	LEN1640065	2016/03/30	Vicky	Update Logo



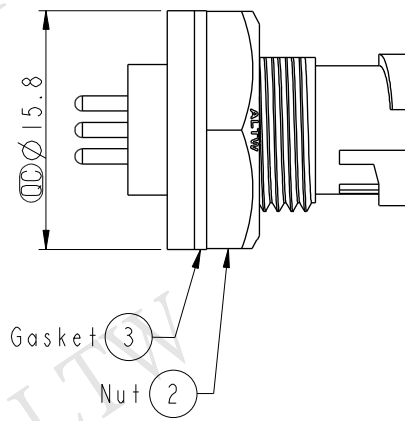
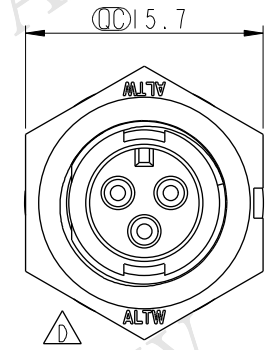
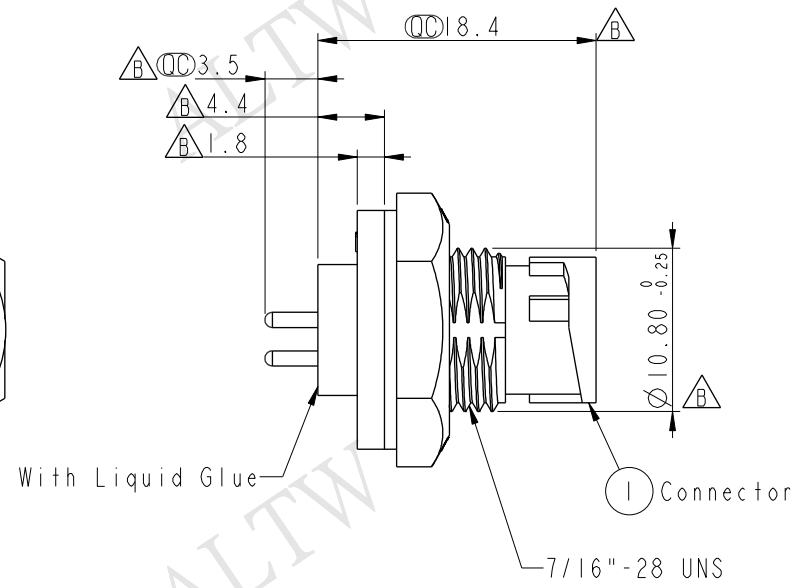
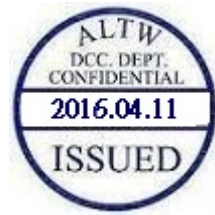
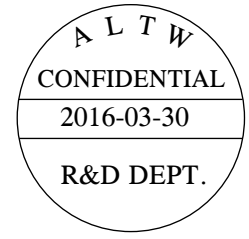
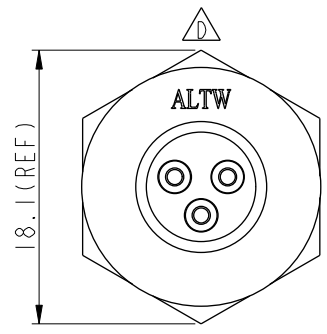
PCB Layout



Recommended Panel Cut-Out



Pin Assignments Front View



- Note:
- \*  $\text{CC}$  Important Dimension
  - \* Waterproof Rate: IP67
  - \* Housing: Nylon+GF, Black
  - \* Male Pin: Copper Alloy, Gold Plated
  - \* Nut: Nylon+GF, Black
  - \* Gasket: EPDM, Black
  - $\triangle$  \* Use with waterproof cap or dust cap  
Panel thickness max: 2.5mm
  - $\triangle$  \* Use without waterproof cap or dust cap  
Panel thickness max: 3.5mm

UNIT:mm	
TOLERANCE	
.X	±0.25
.XX	±0.1
.XXX	±0.05
ANGLES	±1°

TITLE Mini Panel Lock 3Pin M Conn. M Pin			
SCALE 2:1	SIZE A4	SHEET 1 OF 1	
REV. D	WC-REV. A.1	$\text{CC}$ : Inspection item	

**Amphenol LTW**  
安費諾亮泰企業股份有限公司

ITEM NO. AD-03PMMP-LC7001	DRAWN BY Vicky	DATE 2016-03-30
DWG NO. AD-03PMMP-LC7001	CHECKED BY Rita	DATE 2016-03-30
CUSTOMER ALTW	APPROVED BY Lisa	DATE 2016-03-30

