



Chipsmall Limited consists of a professional team with an average of over 10 year of expertise in the distribution of electronic components. Based in Hongkong, we have already established firm and mutual-benefit business relationships with customers from,Europe,America and south Asia,supplying obsolete and hard-to-find components to meet their specific needs.

With the principle of “Quality Parts,Customers Priority,Honest Operation,and Considerate Service”,our business mainly focus on the distribution of electronic components. Line cards we deal with include Microchip,ALPS,ROHM,Xilinx,Pulse,ON,Everlight and Freescale. Main products comprise IC,Modules,Potentiometer,IC Socket,Relay,Connector.Our parts cover such applications as commercial,industrial, and automotives areas.

We are looking forward to setting up business relationship with you and hope to provide you with the best service and solution. Let us make a better world for our industry!



Contact us

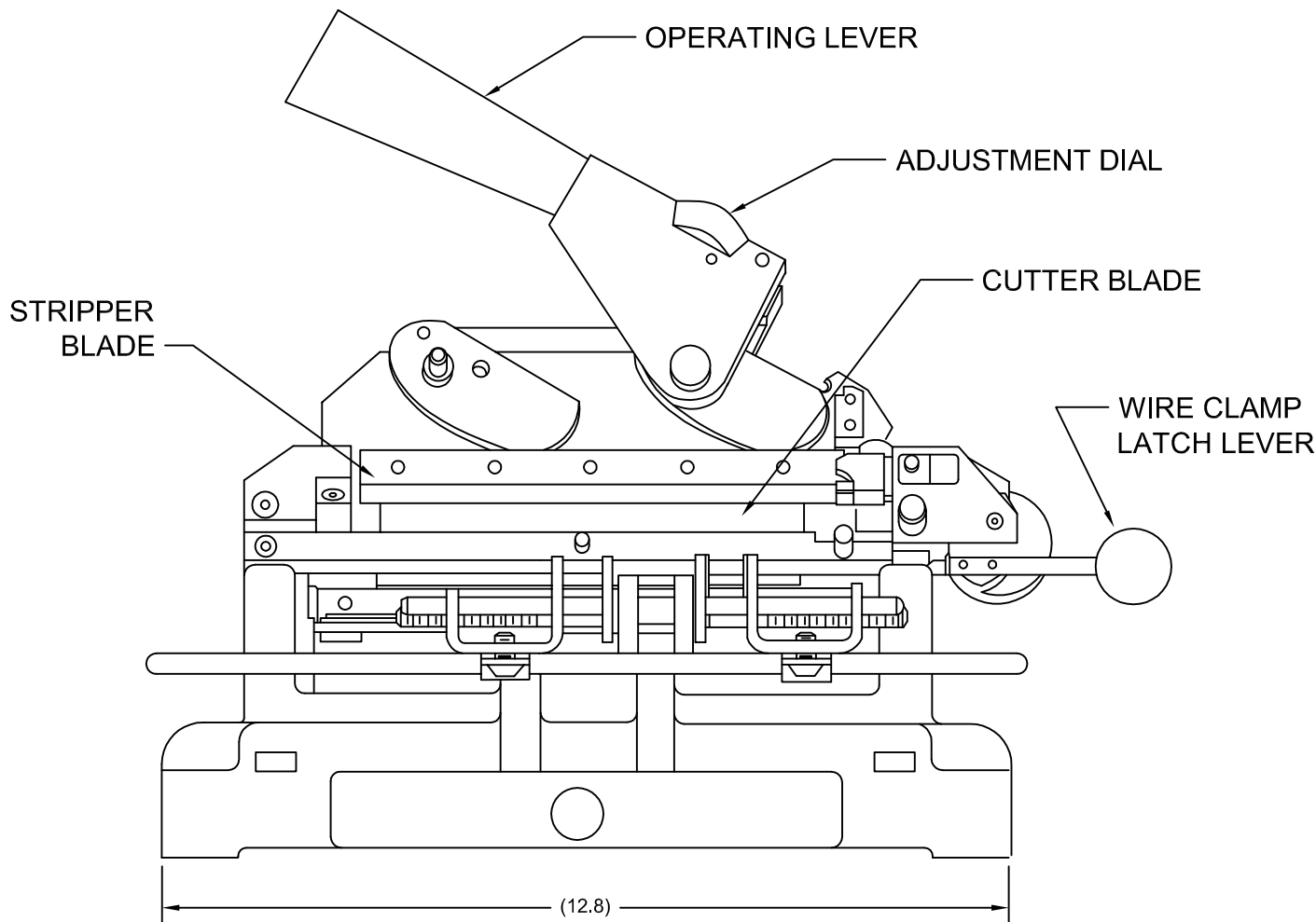
Tel: +86-755-8981 8866 Fax: +86-755-8427 6832

Email & Skype: info@chipsmall.com Web: www.chipsmall.com

Address: A1208, Overseas Decoration Building, #122 Zhenhua RD., Futian, Shenzhen, China



REVISIONS			
LTR	DESCRIPTION	DATE	APPROVED
A	INITIAL RELEASE PER DCR #R090316	05/15/09	A. BUI




NOTES:

1. ORGANIZES ONE ROW OF WIRES; THEN CUTS AND STRIPS THE ENTIRE ROW AT ONCE.
2. BASE DIMENSION: 12.8 X 7.5 INCHES.
3. REFER TO H50089 FOR TERMINATION PROCEDURE AND OPERATING INSTRUCTIONS.

If this document is printed it becomes uncontrolled. Check for the latest revision

© 2009 Tyco Electronics Corporation. All rights reserved.

CUSTOMER DRAWING

		Tyco Electronics 305 Constitution Dr Menlo Park, CA 94025, USA		Raychem App Equipment		TITLE: MULTIPLE WIRE STRIPPER AND CUTTER STRETCH ASSEMBLY	
Tyco Electronics reserves the right to amend this drawing at any time. Users should evaluate the suitability of the product for their application.			Unless otherwise specified, dimensions are in inches.			DOCUMENT NUMBER: AD-4030-1	
CAD NAME: AD-4030-1		WEIGHT:	TOLERANCES: 0.00 N/A 0.0 N/A 0 N/A		ANGLES: N/A ROUGHNESS IN MICRON	REV: A	DATE: 18MAY09
DRAWN: A. BUI	CHECKED:	APPROVED: I. MYONG	DCR NUMBER: R090316	CAGE CODE: 06090	SCALE: N/A	SIZE: A	SHEET: 1 OF 1