



Chipsmall Limited consists of a professional team with an average of over 10 year of expertise in the distribution of electronic components. Based in Hongkong, we have already established firm and mutual-benefit business relationships with customers from,Europe,America and south Asia,supplying obsolete and hard-to-find components to meet their specific needs.

With the principle of “Quality Parts,Customers Priority,Honest Operation,and Considerate Service”,our business mainly focus on the distribution of electronic components. Line cards we deal with include Microchip,ALPS,ROHM,Xilinx,Pulse,ON,Everlight and Freescale. Main products comprise IC,Modules,Potentiometer,IC Socket,Relay,Connector.Our parts cover such applications as commercial,industrial, and automotives areas.

We are looking forward to setting up business relationship with you and hope to provide you with the best service and solution. Let us make a better world for our industry!



Contact us

Tel: +86-755-8981 8866 Fax: +86-755-8427 6832

Email & Skype: info@chipsmall.com Web: www.chipsmall.com

Address: A1208, Overseas Decoration Building, #122 Zhenhua RD., Futian, Shenzhen, China



NOTES:

1. MATERIALS OF CONSTRUCTION:

- COUPLING NUT - STAINLESS STEEL, PASSIVATED
- SMA BODY - STAINLESS STEEL, PASSIVATED
- P-SMP BODY - STAINLESS STEEL, PASSIVATED
- CONTACT PIN - BERYLLIUM COPPER, GOLD PLATING
- GASKET - SILICONE RUBBER, RED
- RETAINER RING - SUS 304, NATURAL
- INSULATOR - PTFE, NATURAL

2. ELECTRICAL:

- A. IMPEDANCE: 50 OHM, NOMINAL
- B. FREQUENCY RANGE: DC - 10 GHz
- C. RETURN LOSS(VSWR): 38 dB MIN. @ DC-4 GHz
26 dB MIN. @ 4-10 GHz
- D. INSERTION LOSS: $0.05 \times \sqrt{f(\text{GHz})}$ dB MAX.
- E. POWER HANDLING: 200W MAX. @ 2.2 GHz AT 20°C
- F. D.W.V: 1000 VRMS, MIN.

3. MECHANICAL:

- A. DURABILITY: SMA PLUG SIDE : 500 CYCLES MIN.
P-SMP PLUG SIDE: 100 CYCLES MIN
- B. TEMPERATURE RANGE: -55°C TO +155°C

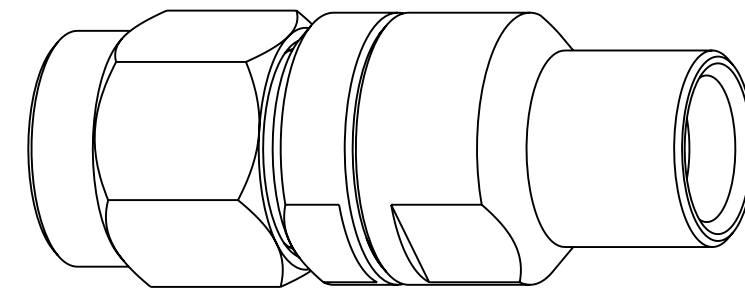
4. PACKAGING:

- A. QUANTITY: SINGLE PACK
- B. MARKING: BAG TO BE MARKED
"AMPHENOL RF, AD-SMAP-PSMPP-1, AND DATE CODE"

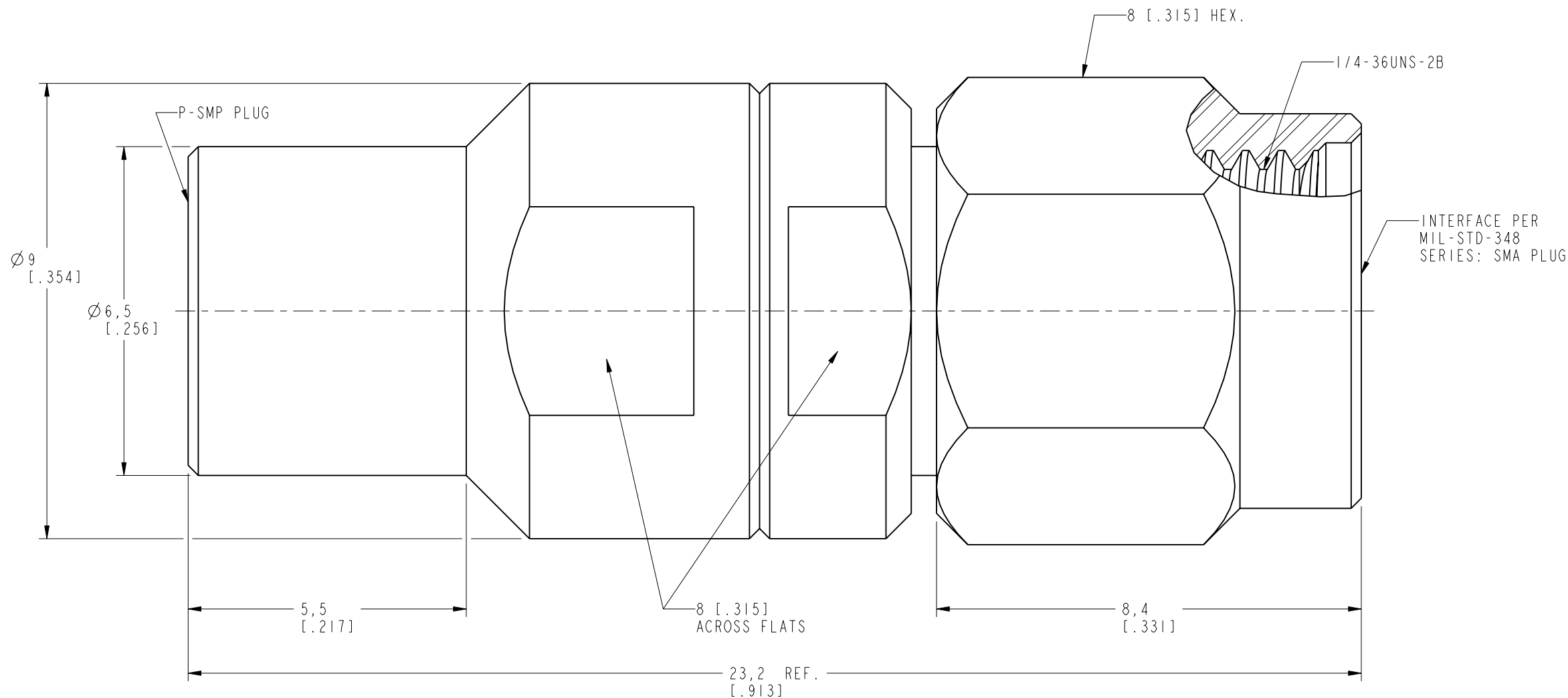
THIRD ANGLE PROJ.

REVISIONS

REV	DESCRIPTION	DATE	ECO	APPR
A	RELEASE TO MFG.	15-May-18	08102	BEW



SCALE 4.000



CUSTOMER OUTLINE DRAWING
ALL OTHER SHEETS ARE FOR INTERNAL USE ONLY

UNLESS OTHERWISE SPECIFIED, DIMENSIONS ARE IN METRIC AND TOLERANCES ARE:
 <0.5mm ±0.05mm 0.5 - 6mm ±0.1mm 6 - 30mm ±0.2mm 30 - 120mm ±0.3mm ANGLES ±1°

NOTICE - These drawings, specifications, or other data (1) are, and remain the property of Amphenol corp. (2) must be returned upon request; and (3) are confidential and not to be disclosed to any person other than those to whom they are given by Amphenol Corp. the furnishing of these drawings, specifications, or other data by Amphenol Corp., or to any other person to anyone for any purpose is not to be regarded by implication or otherwise in any manner licensing, granting rights to permitting such holder or any other person to manufacture, use or sell any product, process or design, patented or otherwise, that may in any way be related to or disclosed by said drawings, specifications, or other data.

MATERIAL	-
REFERENCE	EAR# 6971 AND
CONFIGURATION LEVEL:	In Work
FINISH	

DRAWN	M. ZHANG	DATE	15-May-18
ENGINEER	M. ZHANG	DATE	28-Jan-16
APPROVED	S. HSIEH	DATE	17-May-18
CAD FILE			

TITLE	
P-SMP PLUG (LIMITED DETENT) TO SMA PLUG ADAPTER	
SCALE: 10.0:1.0	SHEET 2 OF 2
DWG SIZE B	REV A

Amphenol RF	
www.amphenolrf.com	
DRAWING NO.	AD-SMAP-PSMPP-1
ITEM NO.	AD-SMAP-PSMPP-1
PART NO.	AD-SMAP-PSMPP-1