



Chipsmall Limited consists of a professional team with an average of over 10 year of expertise in the distribution of electronic components. Based in Hongkong, we have already established firm and mutual-benefit business relationships with customers from,Europe,America and south Asia,supplying obsolete and hard-to-find components to meet their specific needs.

With the principle of “Quality Parts,Customers Priority,Honest Operation,and Considerate Service”,our business mainly focus on the distribution of electronic components. Line cards we deal with include Microchip,ALPS,ROHM,Xilinx,Pulse,ON,Everlight and Freescale. Main products comprise IC,Modules,Potentiometer,IC Socket,Relay,Connector.Our parts cover such applications as commercial,industrial, and automotives areas.

We are looking forward to setting up business relationship with you and hope to provide you with the best service and solution. Let us make a better world for our industry!



Contact us

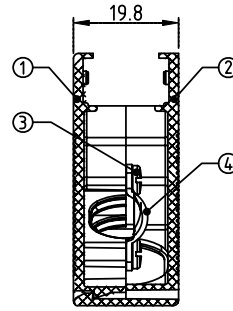
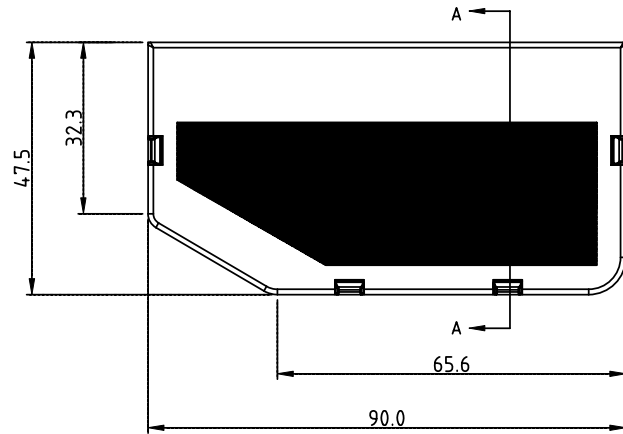
Tel: +86-755-8981 8866 Fax: +86-755-8427 6832

Email & Skype: info@chipsmall.com Web: www.chipsmall.com

Address: A1208, Overseas Decoration Building, #122 Zhenhua RD., Futian, Shenzhen, China



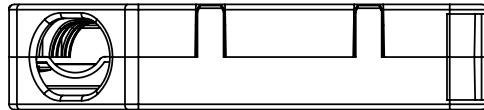
PRODUCT NUMBER	PITCH
AD18505000JOG	5.08 mm



Section A-A

Material

- Item ① Terminal (Bottom shell): Thermoplastic (UL94-HB) Color: Green(RAL6018/T)
- Item ② Terminal (Top shell): Thermoplastic (UL94-HB) Color: Green(RAL6018/T)
- Item ③ Screw: Steel Zinc plated, "-" solt. PA 2.9x8.9
- Item ④ Locating piece: SPCC (T=1.0mm), Zinc plated



mat'l. code		surface ASME Y14.5 ✓	tolerance ASME Y14.5	projection ⊕	product family TERMINAL BLOCK	
ltr	ecn no	dr	date	MM ←→	title TERMINAL BLOCK ACCESSORIES	
		angles	X.±0.5			scale
		X°±1'	X.XX±0.1			
		dr	EVIN ZHONG 070914	FCI	dwg no AD18505000JOG	
		enr	EVIN ZHONG 070914		sheet 1 of 1	size A4
		chr	HANKE FENG 070914		type CUSTOMER Drawing	
		appd	SHI JUN 070914			
sheet index	revision sheet	A	1			