



Chipsmall Limited consists of a professional team with an average of over 10 year of expertise in the distribution of electronic components. Based in Hongkong, we have already established firm and mutual-benefit business relationships with customers from,Europe,America and south Asia,supplying obsolete and hard-to-find components to meet their specific needs.

With the principle of "Quality Parts,Customers Priority,Honest Operation,and Considerate Service",our business mainly focus on the distribution of electronic components. Line cards we deal with include Microchip,ALPS,ROHM,Xilinx,Pulse,ON,Everlight and Freescale. Main products comprise IC,Modules,Potentiometer,IC Socket,Relay,Connector.Our parts cover such applications as commercial,industrial, and automotives areas.

We are looking forward to setting up business relationship with you and hope to provide you with the best service and solution. Let us make a better world for our industry!



Contact us

Tel: +86-755-8981 8866 Fax: +86-755-8427 6832

Email & Skype: info@chipsmall.com Web: www.chipsmall.com

Address: A1208, Overseas Decoration Building, #122 Zhenhua RD., Futian, Shenzhen, China



Differential Amplifier Evaluation Board for 8-lead SOIC and MSOP Packages

FEATURES

- Flexible board layout
- Accommodates AD8131/AD8132/AD8138/AD8139
- Accommodates various circuit configurations
- Enables quick breadboarding/prototyping
- Edge-mounted circuit configuration
- Easy connection to test equipment and other circuits
- RoHS compliant

GENERAL DESCRIPTION

An Analog Devices, Inc., differential driver evaluation board makes it easy for designers to obtain quick performance results for their particular differential driver application circuits. The board layout is very flexible and allows for many circuit configurations, including traditional four-resistor circuits, circuits with two different feedback loops, circuits with input and output transformers, filters, and many others. Most resistors and capacitors use 1206 packages.

The board accommodates the [AD8131](#), [AD8132](#), [AD8138](#), and [AD8139](#). The data sheets for these devices should be consulted in conjunction with this evaluation board user guide.

The [AD8131](#) is a special case because it has internal feedback networks but can, nonetheless, be evaluated on the board by

- Omitting the R19 and R20 feedback resistors and C3 and C4 capacitors.
- Using 0 Ω resistors for Gain Resistor R17 and Gain Resistor R18.
- Ignoring all further references to these components.

DIFFERENTIAL DRIVER EVALUATION BOARD SCHEMATIC

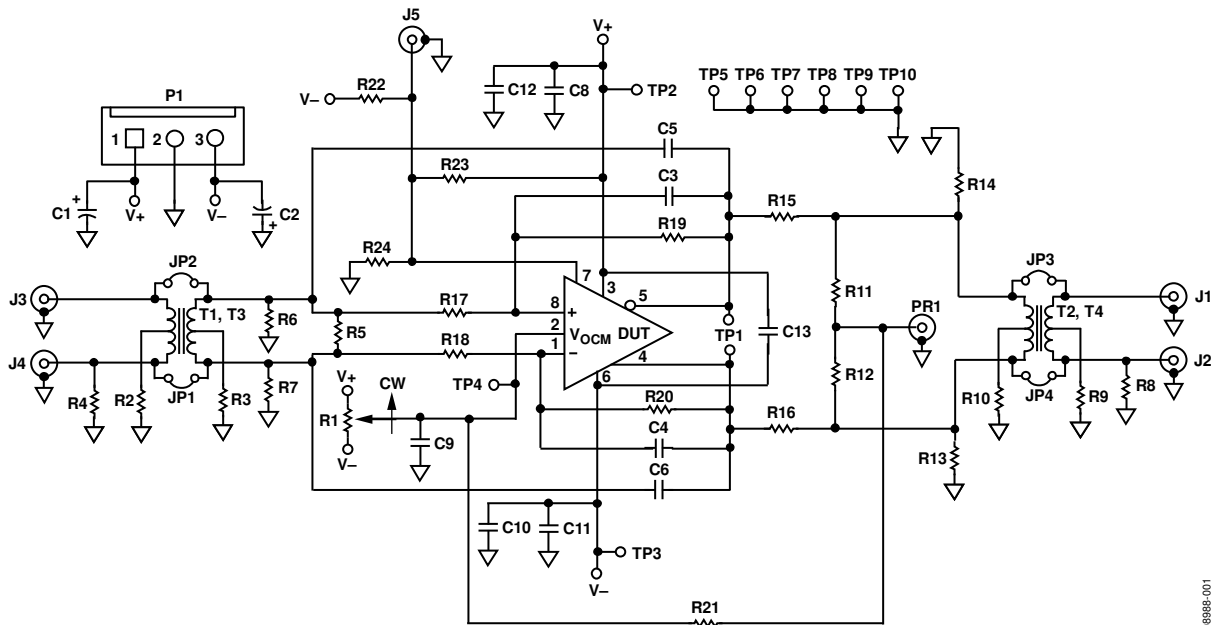


Figure 1. Evaluation Board Schematic

08988-001

TABLE OF CONTENTS

Features	1	Measuring Output Common-Mode Voltage	3
General Description	1	Input/Output Transformers	3
Differential Driver Evaluation Board Schematic.....	1	SMA Input/Output Connectors	4
Revision History	2	Other Components	4
Evaluation Board Hardware.....	3	Evaluation Board Artwork	5
Power Supplies	3	Ordering Information.....	8
Feedback Networks and Input/Output Terminations	3	Related Links.....	8
V _{OCM} Input	3		

REVISION HISTORY

6/10—Rev. A to Rev. B

Document Title Changed from EVAL-ADDIFFAMP to UG-130..... Universal

Changes to Features Section.....	1
Deleted Ordering Guide	4
Added Evaluation Board Artwork Section	5
Added Figure 2 to Figure 13; Renumbered Sequentially	5
Added Table 1; Renumbered Sequentially	8
Added Related Links Section	8

1/06—Rev. 0 to Rev. A

Updated Format.....	Universal
Change to Figure 1	1

10/03—Revision 0: Initial Version

EVALUATION BOARD HARDWARE

POWER SUPPLIES

Power is applied to the board through P1, a Molex® 3-pin header, Part 22-11-2032. Pin 1 (square footprint) is for the positive supply, Pin 3 is for the negative supply, and Pin 2 is connected to the ground plane of the board. Alternatively, looped test points can be used; Test Point TP2 connects to the positive supply, TP3 connects to the negative supply, and TP7 and TP8 connect to the ground plane. The TP5, TP6, TP9, and TP10 test points also connect to the ground plane.

The board accommodates single or dual supplies. For single-supply operation, connect the negative supply to the ground plane.

It is very important that the power supply pins of the device under test (DUT) have broadband decoupling circuitry. The board layout facilitates this with footprints for two 1206 ceramic capacitors on each supply. At frequencies beyond the resonant frequency of the first capacitor and its associated internal and external inductance, the second capacitor provides the required low impedance return current path. For optimum performance, place the smaller of the two capacitances closest to the DUT, in the C8 and C11 positions. C13 provides the user with the option of adding differential decoupling between the supplies. Bulk decoupling is provided by C1 and C2; 10 μ F tantalum capacitors are recommended.

FEEDBACK NETWORKS AND INPUT/OUTPUT TERMINATIONS

R19 and R17 compose the upper resistive feedback loop (see Figure 1), and R20 and R18 compose the lower feedback loop. C3 and C4 are included across the feedback resistors to provide frequency-dependent feedback, typically used to introduce a real-axis pole in the closed-loop frequency response.

To minimize summing node capacitances, void the ground plane under and around Pin 1 and Pin 8 of the DUT and the copper that connects to them.

R6 and R7 are included as input termination resistors for applications that have single-ended inputs. Having a place for a shunt resistor on each input makes it simple to match the two feedback factors. A common example of how this is used is when the input signal originates from an unbalanced 50 Ω source. In this case, the single-ended termination resistance is 50 Ω and the Thevenin equivalent resistance seen looking back to the source is 25 Ω . For the traditional four-resistor configuration, where R19 = R20 and R17 = R18, the feedback networks are matched by making the shunt resistor on the input leg opposite the termination resistor equal to 25 Ω . R5 is provided for differential termination.

R15 and R16 series termination resistors are provided on each of the outputs for impedance matching, analog-to-digital converter (ADC) driving, and other system requirements.

V_{OCM} INPUT

The V_{OCM} input can be set to a dc level by adjusting the R1 potentiometer that spans the power supplies. For the dc case, C9 is provided at the wiper for decoupling.

An external voltage can be applied to V_{OCM} via TP4 (referenced to the ground plane of the board). In ADC driving applications, it is convenient to apply the ADC dc reference voltage output directly to TP4.

It is also possible to drive the V_{OCM} input from an external ac source. In this case, omit C9 or reduce it to a value that allows the desired signal to be passed. For high frequency signals on V_{OCM}, connect the center conductor of a coaxial cable to TP4 and ground its shield at TP10.

R21 is provided for the high common-mode output impedance application illustrated in the AD8132 data sheet.

MEASURING OUTPUT COMMON-MODE VOLTAGE

The internal common-mode feedback loop used in the differential drivers forces the output common-mode voltage to be equal to the voltage applied to the V_{OCM} input, thereby providing excellent output balance. R11 and R12 form a voltage divider across the differential output, and the voltage at the divider tap is equal to the output common-mode voltage, provided that R11 and R12 are exactly matched in value. If R11 and R12 are used to evaluate the output common-mode voltage, they should be measured and matched to better than 300 ppm to obtain results commensurate with the DUT output balance error performance of -70 dB. Test Point PR1 accepts coaxial-type oscilloscope test points, such as the Berg Electronics 33JR135-1.

INPUT/OUTPUT TRANSFORMERS

The board has the added flexibility of allowing the user to incorporate transformers on its input and output. This capability can be especially useful when connecting to single-ended test equipment. Because both input and output transformers have dual, nested footprints, the user can select from a wide array of transformers available from companies such as Mini-Circuits® and Coilcraft®. The layout provides footprints for connecting resistors to ground on the primary and secondary transformer center taps, offering the user a number of options with regard to the common-mode properties of the evaluation circuit.

JP1, JP2, JP3, and JP4 are jumpers on the backside of the board that provide direct shunts across their associated transformers. When not using a transformer, bypassing the transformer is a simple matter of shorting the appropriate jumpers. When using a transformer, it is a good idea to verify that the associated jumpers are open.

SMA INPUT/OUTPUT CONNECTORS

The inputs and outputs have edge-mounted SMA connectors for straightforward connection to coaxial cables. The recommended connector type is Johnson Components™ Part Number 142-0701-801, or equivalent.

OTHER COMPONENTS

The components described in this user guide pertain mostly to traditional amplifier topologies. Footprints are provided for a number of other components on the board to allow the user to be more creative than the traditional designs. A component

labeled as a capacitor need not be a capacitor provided that it fits the user's application circuit and the footprint on the board.

In application circuits where footprints for desired components are not available on the board, the user is encouraged to find ways to include them. For example, if an additional shunt element is required, the user can scrape some solder mask away from the ground plane and trace (if necessary) to make a place for the additional part. Furthermore, 1206 elements can be stacked on top of each other to implement a parallel circuit. An example of this includes stacking capacitors across R17 and R18 to realize a zero in the closed-loop transfer function. This is one way to insert preemphasis in a line-driver application.

EVALUATION BOARD ARTWORK

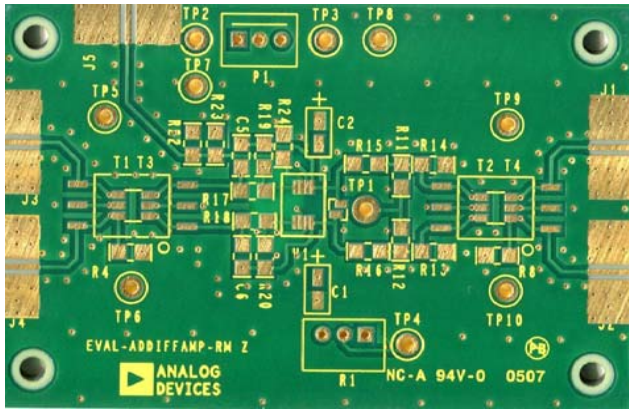


Figure 2. EVAL-ADDIFFAMP-RM Z, Component Side (MSOP)

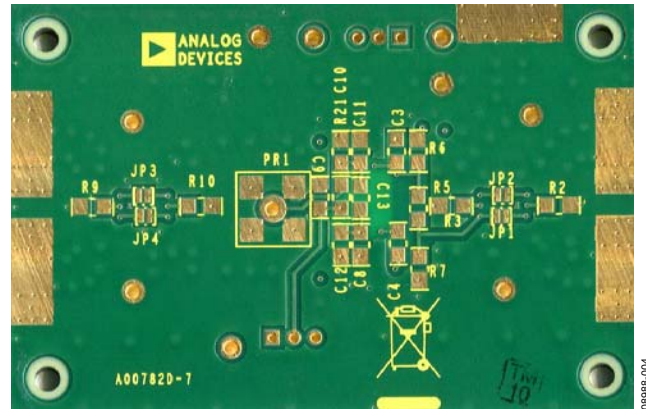


Figure 4. EVAL-ADDIFFAMP-RM Z, Circuit Side (MSOP)

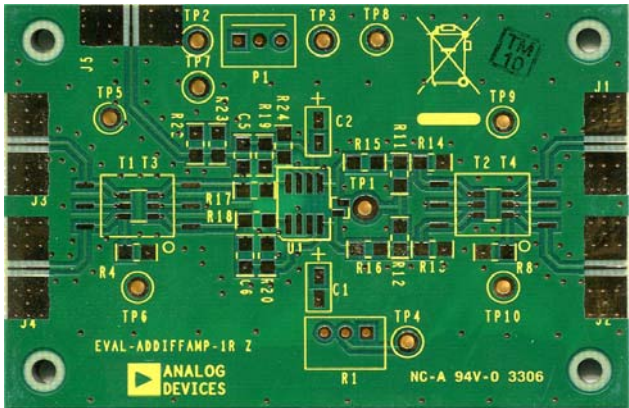


Figure 3. EVAL-ADDIFFAMP-1R Z, Component Side (SOIC)

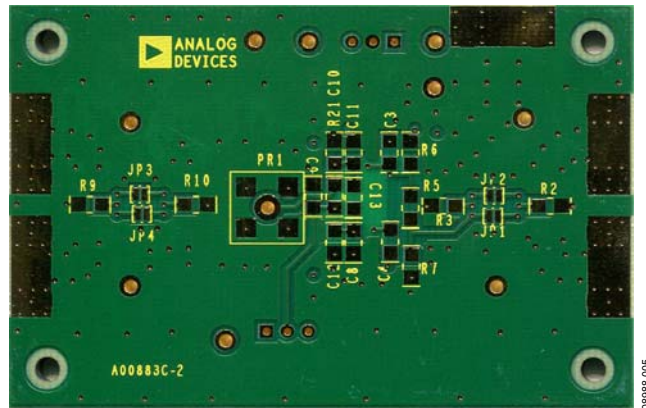


Figure 5. EVAL-ADDIFFAMP-1R Z, Circuit Side (SOIC)

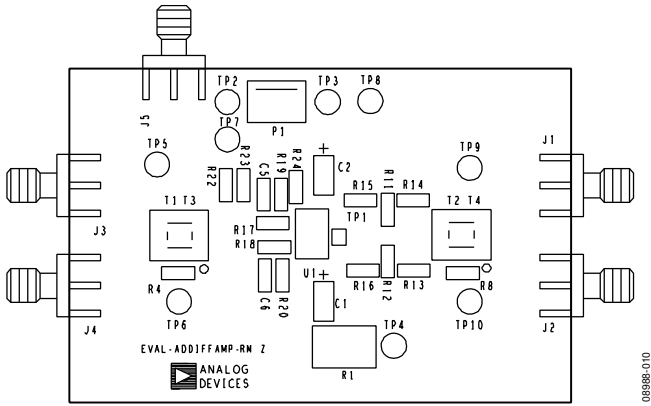


Figure 6. EVAL-ADDIFFAMP-RMZ, Component Side (MSOP)

08988-010

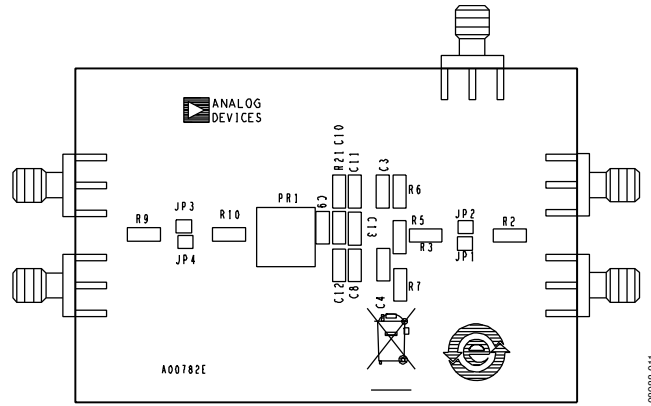


Figure 8. EVAL-ADDIFFAMP-RMZ, Circuit Side (MSOP)

08988-011

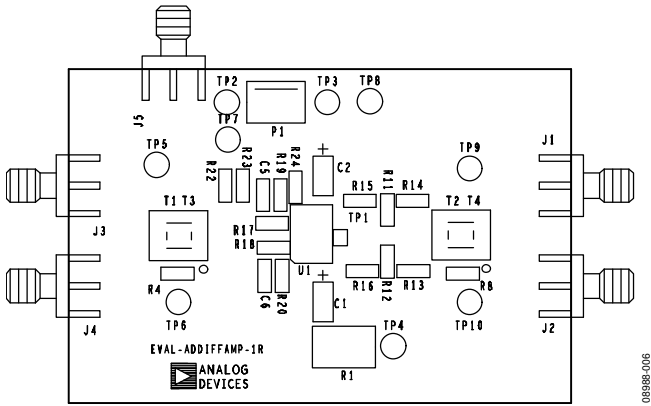


Figure 7. EVAL-ADDIFFAMP-1RZ, Component Side (SOIC)

08988-006

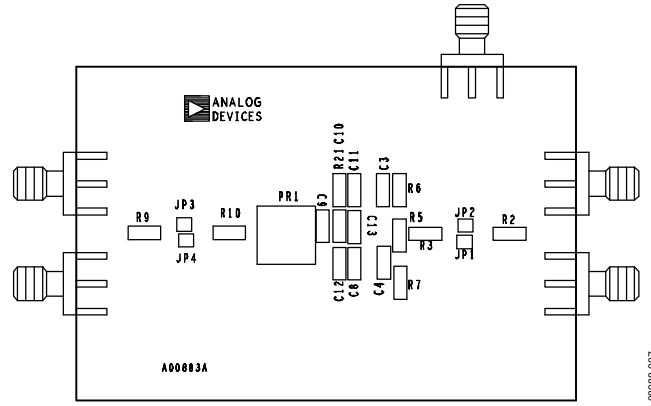


Figure 9. EVAL-ADDIFFAMP-1RZ, Circuit Side (SOIC)

08988-007

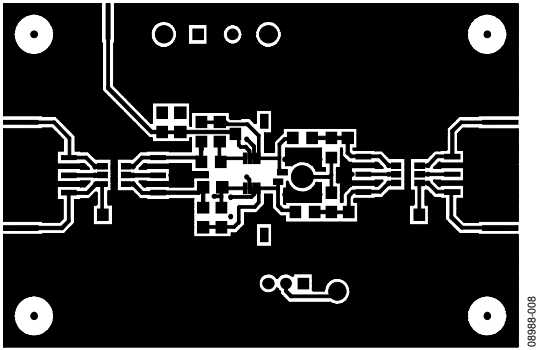


Figure 10. EVAL-ADDIFFAMP-RMZ, Component Side (MSOP)

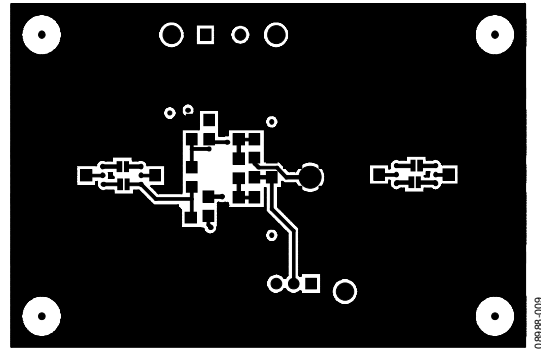


Figure 12. EVAL-ADDIFFAMP-RMZ, Circuit Side (MSOP)

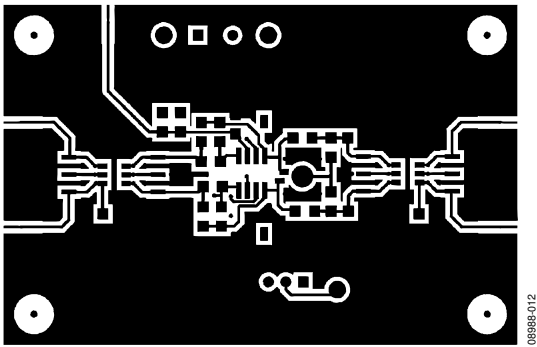


Figure 11. EVAL-ADDIFFAMP-1RZ, Component Side (SOIC)

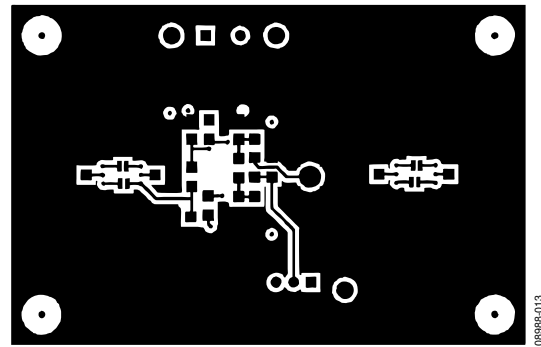


Figure 13. EVAL-ADDIFFAMP-1RZ, Circuit Side (SOIC)

ORDERING INFORMATION

Table 1. Bill of Materials

Qty	Reference Designator	Package	Description
2	C1, C2	3216	10 μ F capacitor
10	C3 to C6, C8 to C13	C1206	Capacitor, user-defined value
5	J1 to J5	SMASMT	SMA connector
4	JP1 to JP4	JPRSLD02	Jumper
1	P1	PWR_CONN_6-9-2	3-pin header, Molex Part 22-11-2032
1	PR1	SMACON	SMA connector
1	R1	3299W	1 k Ω potentiometer
23	R2 to R24	R1206	Resistor, user defined value
2	T1, T2	ETC1-6	Transformer
2	T3, T4	KK81	Transformer
1	TP1	TP	Test point
9	TP2 to TP10	TP104	Test point
1	U1	8-lead SOIC and MSOP	Device under test
1	PC board		

RELATED LINKS

Resource	Description
AD8131	Product Page, AD8131 Low Cost, High Speed Differential Driver
AD8132	Product Page, AD8132 Low Cost, High Speed Differential Amplifier
AD8138	Product Page, AD8138 Low Distortion Differential ADC Driver
AD8139	Product Page, AD8139 Low Noise, Rail-to-Rail, Differential ADC Driver



ESD Caution

ESD (electrostatic discharge) sensitive device. Charged devices and circuit boards can discharge without detection. Although this product features patented or proprietary protection circuitry, damage may occur on devices subjected to high energy ESD. Therefore, proper ESD precautions should be taken to avoid performance degradation or loss of functionality.

Legal Terms and Conditions

By using the evaluation board discussed herein (together with any tools, components documentation or support materials, the "Evaluation Board"), you are agreeing to be bound by the terms and conditions set forth below ("Agreement") unless you have purchased the Evaluation Board, in which case the Analog Devices Standard Terms and Conditions of Sale shall govern. Do not use the Evaluation Board until you have read and agreed to the Agreement. Your use of the Evaluation Board shall signify your acceptance of the Agreement. This Agreement is made by and between you ("Customer") and Analog Devices, Inc. ("ADI"), with its principal place of business at One Technology Way, Norwood, MA 02062, USA. Subject to the terms and conditions of the Agreement, ADI hereby grants to Customer a free, limited, personal, temporary, non-exclusive, non-sublicensable, non-transferable license to use the Evaluation Board FOR EVALUATION PURPOSES ONLY. Customer understands and agrees that the Evaluation Board is provided for the sole and exclusive purpose referenced above, and agrees not to use the Evaluation Board for any other purpose. Furthermore, the license granted is expressly made subject to the following additional limitations: Customer shall not (i) rent, lease, display, sell, transfer, assign, sublicense, or distribute the Evaluation Board; and (ii) permit any Third Party to access the Evaluation Board. As used herein, the term "Third Party" includes any entity other than ADI, Customer, their employees, affiliates and in-house consultants. The Evaluation Board is NOT sold to Customer; all rights not expressly granted herein, including ownership of the Evaluation Board, are reserved by ADI. CONFIDENTIALITY. This Agreement and the Evaluation Board shall all be considered the confidential and proprietary information of ADI. Customer may not disclose or transfer any portion of the Evaluation Board to any other party for any reason. Upon discontinuation of use of the Evaluation Board or termination of this Agreement, Customer agrees to promptly return the Evaluation Board to ADI. ADDITIONAL RESTRICTIONS. Customer may not disassemble, decompile or reverse engineer chips on the Evaluation Board. Customer shall inform ADI of any occurred damages or any modifications or alterations it makes to the Evaluation Board, including but not limited to soldering or any other activity that affects the material content of the Evaluation Board. Modifications to the Evaluation Board must comply with applicable law, including but not limited to the RoHS Directive. TERMINATION. ADI may terminate this Agreement at any time upon giving written notice to Customer. Customer agrees to return to ADI the Evaluation Board at that time. LIMITATION OF LIABILITY. THE EVALUATION BOARD PROVIDED HEREUNDER IS PROVIDED "AS IS" AND ADI MAKES NO WARRANTIES OR REPRESENTATIONS OF ANY KIND WITH RESPECT TO IT. ADI SPECIFICALLY DISCLAIMS ANY REPRESENTATIONS, ENDORSEMENTS, GUARANTEES, OR WARRANTIES, EXPRESS OR IMPLIED, RELATED TO THE EVALUATION BOARD INCLUDING, BUT NOT LIMITED TO, THE IMPLIED WARRANTY OF MERCHANTABILITY, TITLE, FITNESS FOR A PARTICULAR PURPOSE OR NON-INFRINGEMENT OF INTELLECTUAL PROPERTY RIGHTS. IN NO EVENT WILL ADI AND ITS LICENSORS BE LIABLE FOR ANY INCIDENTAL, SPECIAL, INDIRECT, OR CONSEQUENTIAL DAMAGES RESULTING FROM CUSTOMER'S POSSESSION OR USE OF THE EVALUATION BOARD, INCLUDING BUT NOT LIMITED TO LOST PROFITS, DELAY COSTS, LABOR COSTS OR LOSS OF GOODWILL. ADI'S TOTAL LIABILITY FROM ANY AND ALL CAUSES SHALL BE LIMITED TO THE AMOUNT OF ONE HUNDRED US DOLLARS (\$100.00). EXPORT. Customer agrees that it will not directly or indirectly export the Evaluation Board to another country, and that it will comply with all applicable United States federal laws and regulations relating to exports. GOVERNING LAW. This Agreement shall be governed by and construed in accordance with the substantive laws of the Commonwealth of Massachusetts (excluding conflict of law rules). Any legal action regarding this Agreement will be heard in the state or federal courts having jurisdiction in Suffolk County, Massachusetts, and Customer hereby submits to the personal jurisdiction and venue of such courts. The United Nations Convention on Contracts for the International Sale of Goods shall not apply to this Agreement and is expressly disclaimed.