



Chipsmall Limited consists of a professional team with an average of over 10 year of expertise in the distribution of electronic components. Based in Hongkong, we have already established firm and mutual-benefit business relationships with customers from,Europe,America and south Asia,supplying obsolete and hard-to-find components to meet their specific needs.

With the principle of “Quality Parts,Customers Priority,Honest Operation,and Considerate Service”,our business mainly focus on the distribution of electronic components. Line cards we deal with include Microchip,ALPS,ROHM,Xilinx,Pulse,ON,Everlight and Freescale. Main products comprise IC,Modules,Potentiometer,IC Socket,Relay,Connector.Our parts cover such applications as commercial,industrial, and automotives areas.

We are looking forward to setting up business relationship with you and hope to provide you with the best service and solution. Let us make a better world for our industry!



## Contact us

Tel: +86-755-8981 8866 Fax: +86-755-8427 6832

Email & Skype: info@chipsmall.com Web: www.chipsmall.com

Address: A1208, Overseas Decoration Building, #122 Zhenhua RD., Futian, Shenzhen, China



### FEATURES

- Third-order, low-pass video filter
  - 1 dB flatness out to 6 MHz
  - 27 dB rejection at 27 MHz
- Low quiescent current: 4.7 mA typical
- Low power-down current: 24  $\mu$ A typical
- Load detection capability
- SAG correction
  - Allows use of smaller capacitors in ac-coupled outputs
- Low supply voltage: 2.5 V to 3.6 V
- Charge pump
  - Creates a negative voltage from single positive supply
  - Allows capless output coupling with no dc offset
- Rail-to-rail output
- High input-to-output isolation in disabled state
  - 89 dB @ 1 MHz
- Small package
  - 3 mm  $\times$  3 mm LFCSP
  - Low 0.55 mm package height
- Wide operating temperature range:  $-40^{\circ}\text{C}$  to  $+85^{\circ}\text{C}$

### APPLICATIONS

- Portable media players
- Portable gaming consoles
- Cell phones
- Digital still cameras
- Portable DVD players
- Portable video cameras

### GENERAL DESCRIPTION

The **ADA4431-1** is a fully integrated video reconstruction filter that combines excellent video specifications with low power consumption, making it ideal for portable video filtering applications. The **ADA4431-1** is able to detect whether a video load is present at the output, powering down the device when the load is disconnected.

The **ADA4431-1** operates on single supplies as low as 2.5 V while providing the dynamic range required by the most demanding video systems. The on-board charge pump provides a virtual negative supply, allowing the video signal to be dc-coupled and the black level to be set to ground, while the sync passes cleanly at 300 mV below ground.

### PIN CONFIGURATION

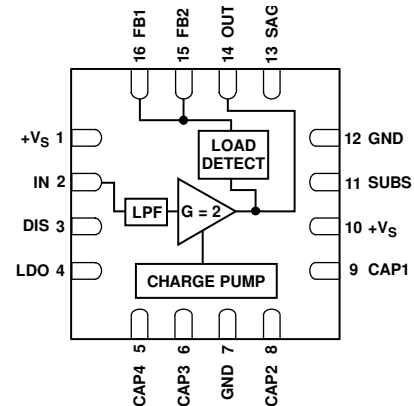


Figure 1.

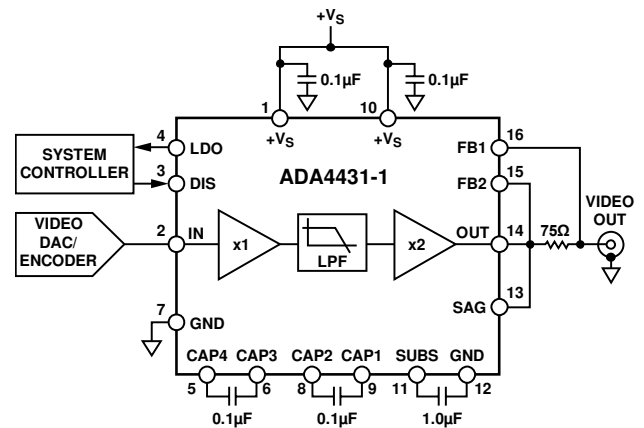


Figure 2. Typical Application Circuit

When operating with the charge pump off, the **ADA4431-1** provides a dc offset to keep the sync tip approximately 100 mV above ground. In addition, the part features SAG correction, which permits the use of smaller capacitors in applications with ac-coupled outputs.

The **ADA4431-1** is packaged in a low profile 16-lead LFCSP and operates in the industrial temperature range of  $-40^{\circ}\text{C}$  to  $+85^{\circ}\text{C}$ .

# ADA4431-1\* PRODUCT PAGE QUICK LINKS

Last Content Update: 02/23/2017

---

## COMPARABLE PARTS

View a parametric search of comparable parts.

## DOCUMENTATION

### Data Sheet

- ADA4431-1: Ultralow Power SD Video Filter with Load Detection Data Sheet

## REFERENCE MATERIALS

### Informational

- Advantiv™ Advanced TV Solutions

## DESIGN RESOURCES

- ADA4431-1 Material Declaration
- PCN-PDN Information
- Quality And Reliability
- Symbols and Footprints

## DISCUSSIONS

View all ADA4431-1 EngineerZone Discussions.

## SAMPLE AND BUY

Visit the product page to see pricing options.

## TECHNICAL SUPPORT

Submit a technical question or find your regional support number.

## DOCUMENT FEEDBACK

Submit feedback for this data sheet.

---

**TABLE OF CONTENTS**

Features .....	1	Pin Configuration and Function Descriptions.....	6
Applications.....	1	Typical Performance Characteristics .....	7
Pin Configuration.....	1	Theory of Operation .....	9
General Description .....	1	Overview .....	9
Revision History .....	2	Charge Pump Operation .....	9
Specifications.....	3	Load Detect .....	9
Absolute Maximum Ratings.....	5	Evaluation Board .....	10
Thermal Resistance .....	5	Outline Dimensions .....	12
Maximum Power Dissipation .....	5	Ordering Guide .....	12
ESD Caution.....	5		

**REVISION HISTORY**

**11/15—Rev. 0 to Rev. A**

Changes to -3 dB Bandwidth Parameter, Table 1.....	3
Changes to -3 dB Bandwidth Parameter, Table 2.....	4
Changes to Figure 4 and Table 5.....	6
Updated Outline Dimensions .....	12
Changes to Ordering Guide .....	12

**8/07—Revision 0: Initial Version**

## SPECIFICATIONS

$V_S = 3.0\text{ V}$  (@  $T_A = 25^\circ\text{C}$ ,  $V_{IN} = 1\text{ V p-p}$ ,  $R_L = 150\ \Omega$ ,  $DIS = 3.0\text{ V}$ , charge pump on), unless otherwise noted.

Table 1.

Parameter	Test Conditions/Comments	Min	Typ	Max	Unit
<b>ELECTRICAL SPECIFICATIONS</b>					
Quiescent Supply Current					
Normal Mode	Video load present		4.7	7.2	mA
Load Searching Mode	No video load		0.1		mA
Disabled Mode	$DIS = 0\text{ V}$		24		$\mu\text{A}$
Disable Pin Current	$DIS = 3.0\text{ V}$ (enabled and charge pump on)		3	6	$\mu\text{A}$
	$DIS = 0\text{ V}$ (disabled)		-17	-30	$\mu\text{A}$
Supply Voltage Range		2.5		3.6	V
Input Voltage	Limited by output range		1.3		V
Input Resistance			10		$\text{M}\Omega$
Input Capacitance			1		pF
Output Voltage Range			-0.8 to +2.8		V
Output Offset Voltage		-650	-600	-560	mV
Power Supply Rejection	$f = 100\text{ kHz}$ , output referred	36	42		dB
Pass-Band Gain		5.7	6.0	6.2	dB
Input-to-Output Isolation—Disabled	$f = 1\text{ MHz}$ , $DIS = 0\text{ V}$		89		dB
<b>FILTER CHARACTERISTICS</b>					
-3 dB Bandwidth		6.6	7.9	9.1	MHz
1 dB Flatness			6		MHz
Out-of-Band Rejection	$f = 27\text{ MHz}$	25	27		dB
Differential Gain	Modulated 10 step ramp, sync tip at 0 V		0.7		%
Differential Phase	Modulated 10 step ramp, sync tip at 0 V		0.3		Degrees
Linear Output Current			40		mA
Group Delay Variation	$f = 100\text{ kHz}$ to 5 MHz		30		ns

$V_S = 3.0\text{ V}$  (@  $T_A = 25^\circ\text{C}$ ,  $V_{IN} = 1\text{ V p-p}$ ,  $R_L = 150\ \Omega$ , DIS = floating, charge pump off), unless otherwise noted.

Table 2.

Parameter	Test Conditions/Comments	Min	Typ	Max	Unit
<b>ELECTRICAL SPECIFICATIONS</b>					
Quiescent Supply Current					
Normal Mode	Video load present		1.6	2.2	mA
Load Searching Mode	No video load		0.1		mA
Disabled Mode	DIS = 0 V		24		$\mu\text{A}$
Disable Pin Current	DIS = 0 V		-17	-30	$\mu\text{A}$
Supply Voltage Range		2.5		3.6	V
Input Voltage	Limited by output range		1.3		V
Input Resistance			10		$\text{M}\Omega$
Input Capacitance			1		pF
Output Voltage Range			0 to 2.8		V
Output Offset Voltage			0.1	0.2	V
Power Supply Rejection	f = 100 kHz, output referred	38	48		dB
Pass-Band Gain		5.8	6.0	6.2	dB
Input-to-Output Isolation—Disabled	f = 1 MHz, DIS = 0 V		89		dB
<b>FILTER CHARACTERISTICS</b>					
-3 dB Bandwidth		6.2	7.5	8.4	MHz
1 dB Flatness			6		MHz
Out-of-Band Rejection	f = 27 MHz	26	29		dB
Differential Gain	Modulated 10 step ramp, sync tip at 0 V		0.4		%
Differential Phase	Modulated 10 step ramp, sync tip at 0 V		0.3		Degrees
Linear Output Current			40		mA
Group Delay Variation	f = 100 kHz to 5 MHz		30		ns

## ABSOLUTE MAXIMUM RATINGS

Table 3.

Parameter	Rating
Supply Voltage	4.0V
Power Dissipation	See Figure 3
Storage Temperature Range	-65°C to +125°C
Operating Temperature Range	-40°C to +85°C
Lead Temperature (Soldering 10 sec)	300°C
Junction Temperature	150°C

Stresses at or above those listed under Absolute Maximum Ratings may cause permanent damage to the product. This is a stress rating only; functional operation of the product at these or any other conditions above those indicated in the operational section of this specification is not implied. Operation beyond the maximum operating conditions for extended periods may affect product reliability.

### THERMAL RESISTANCE

$\theta_{JA}$  is specified for the device (including exposed pad) soldered to a high thermal conductivity 2s2p circuit board, as described in EIA/JESD 51-7. The exposed pad is not electrically connected to the device. It is typically soldered to a pad on the PCB that is thermally and electrically connected to an internal ground plane.

Table 4. Thermal Resistance

Package Type	$\theta_{JA}$	Unit
16-lead LFCSP-UQ (CP-16-12)	43	°C/W

### MAXIMUM POWER DISSIPATION

The maximum safe power dissipation in the [ADA4431-1](#) package is limited by the associated rise in junction temperature ( $T_J$ ) on the die. At approximately 150°C, which is the glass transition temperature, the plastic changes its properties. Even temporarily exceeding this temperature limit can change the stresses that the package exerts on the die, permanently shifting the parametric performance of the [ADA4431-1](#). Exceeding a junction temperature of 150°C for an extended period can result in changes in the silicon devices potentially causing failure.

The power dissipated in the package ( $P_D$ ) is the sum of the quiescent power dissipation and the power dissipated in the package due to the load drive. The quiescent power is the voltage between the supply pins ( $V_S$ ) times the quiescent current ( $I_S$ ). The power dissipated due to the load drive depends upon the particular application. The power due to load drive is calculated by multiplying the load current by the associated voltage drop across the device. RMS voltages and currents must be used in these calculations.

Airflow increases heat dissipation, effectively reducing  $\theta_{JA}$ . In addition, more metal directly in contact with the package leads and exposed pad from metal traces, through-holes, ground, and power planes reduces the  $\theta_{JA}$ .

Figure 3 shows the maximum safe power dissipation in the package vs. the ambient temperature for the 16-lead LFCSP package (43°C/W) on a JEDEC standard 4-layer board.

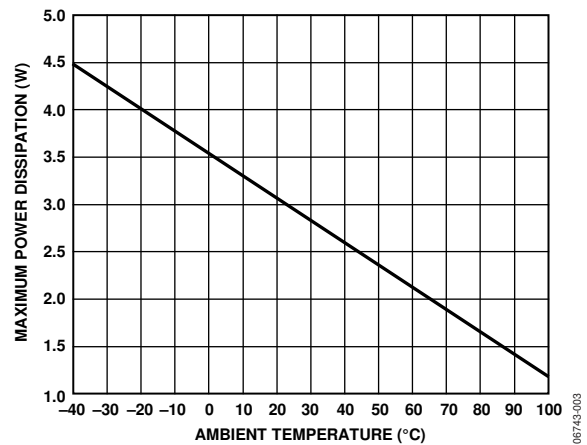


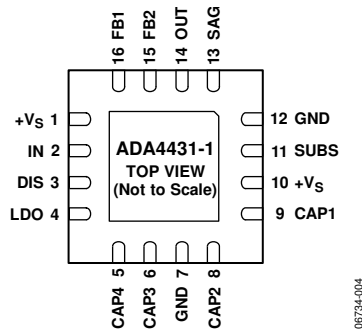
Figure 3. Maximum Power Dissipation vs. Temperature for a 4-Layer Board

### ESD CAUTION



**ESD (electrostatic discharge) sensitive device.** Charged devices and circuit boards can discharge without detection. Although this product features patented or proprietary protection circuitry, damage may occur on devices subjected to high energy ESD. Therefore, proper ESD precautions should be taken to avoid performance degradation or loss of functionality.

## PIN CONFIGURATION AND FUNCTION DESCRIPTIONS



**NOTES**  
 1. EXPOSED PAD. THE EPAD IS ELECTRICALLY ISOLATED. TO OPTIMIZE THERMAL PERFORMANCE, CONNECT THE EPAD TO A GND PLANE.

Figure 4. Pin Configuration

Table 5. Pin Function Descriptions

Pin No.	Mnemonic	Description
1	+Vs	Supply Voltage.
2	IN	Video Input.
3	DIS	Disable Pin. High = charge pump on, floating = charge pump off, low = disabled.
4	LDO	Load Detect Output. High = video load present.
5	CAP4	Capacitor 2, Lead 2.
6	CAP3	Capacitor 2, Lead 1.
7	GND	Ground.
8	CAP2	Capacitor 1, Lead 2.
9	CAP1	Capacitor 1, Lead 1.
10	+Vs	Supply Voltage.
11	SUBS	Substrate Voltage Pin. Bypass to GND with 1.0 $\mu$ F capacitor.
12	GND	Ground.
13	SAG	SAG Feedback Pin.
14	OUT	Video Output.
15	FB2	Load Detect Feedback Pin 2. Connect to device side of series termination resistor.
16	FB1	Load Detect Feedback Pin 1. Connect to load side of series termination resistor.
	EPAD	Exposed Pad. The EPAD is electrically isolated. To optimize thermal performance, connect the EPAD to a GND plane.



# TYPICAL PERFORMANCE CHARACTERISTICS

$V_S = 3.0\text{ V}$  (@  $T_A = 25^\circ\text{C}$ ,  $V_{IN} = 1\text{ V p-p}$ ,  $R_L = 150\ \Omega$ , unless otherwise noted).

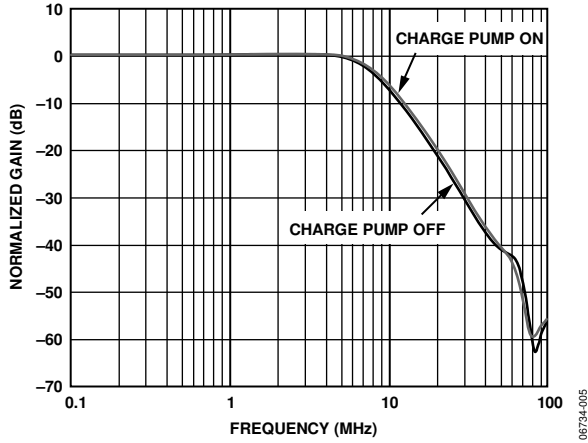


Figure 5. Large Signal Frequency Response

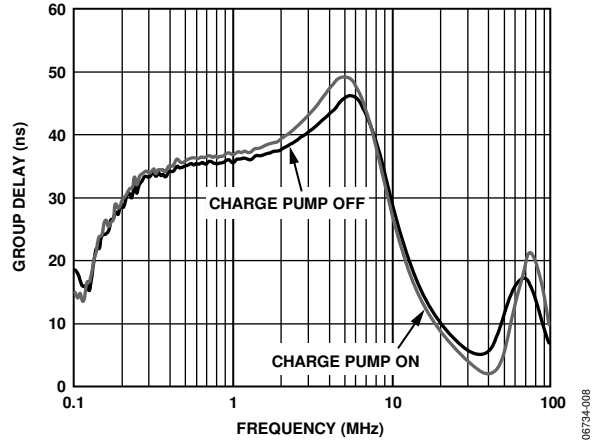


Figure 8. Group Delay vs. Frequency

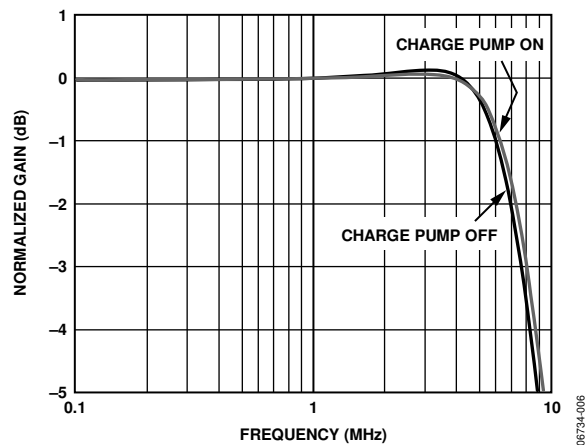


Figure 6. Frequency Response Flatness

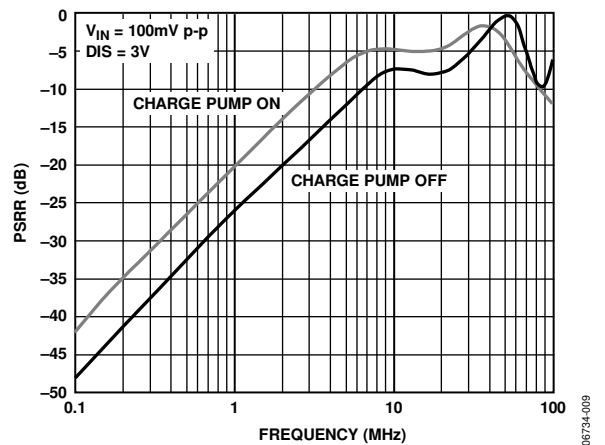


Figure 9. PSRR vs. Frequency

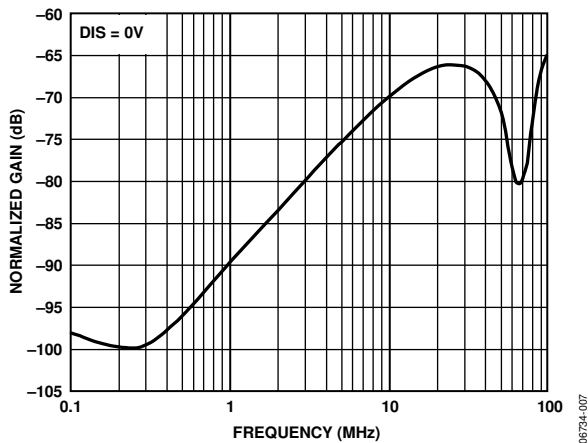


Figure 7. Input-to-Output Isolation vs. Frequency

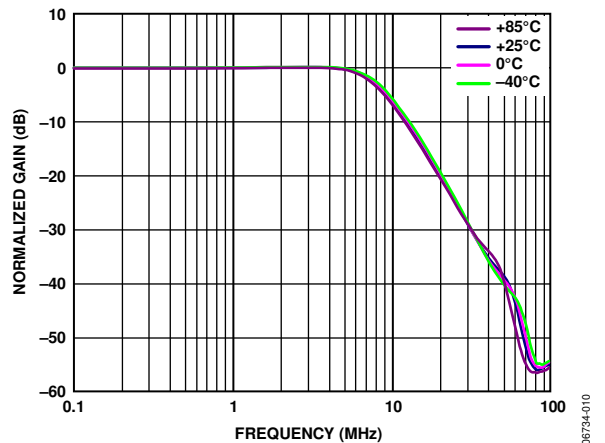


Figure 10. Frequency Response for Various Temperatures

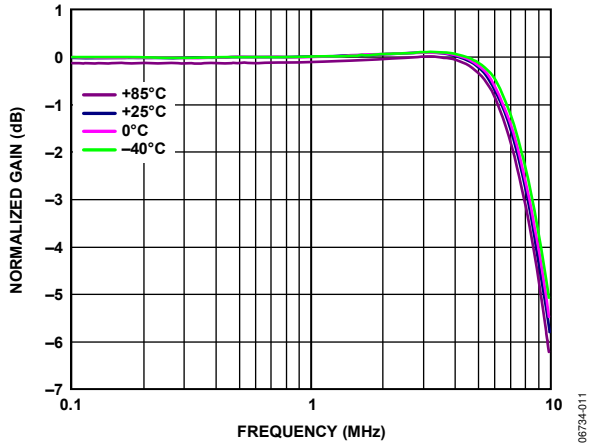


Figure 11. Flatness Response for Various Temperatures

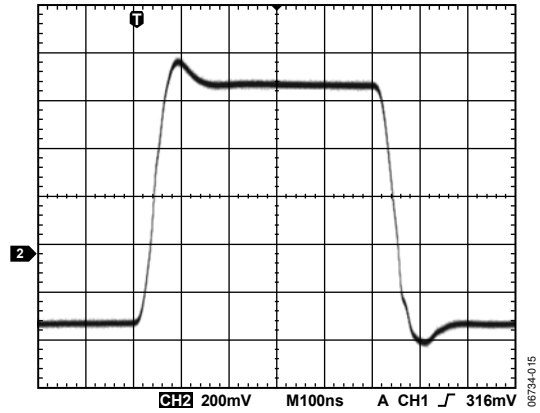


Figure 14. Transient Response

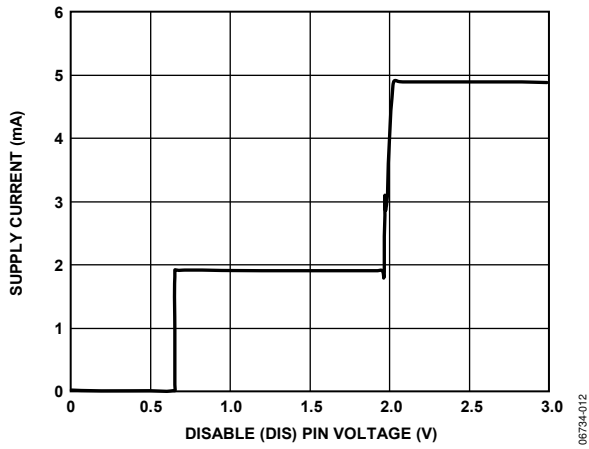


Figure 12. Supply Current vs. Disable (DIS) Pin Voltage

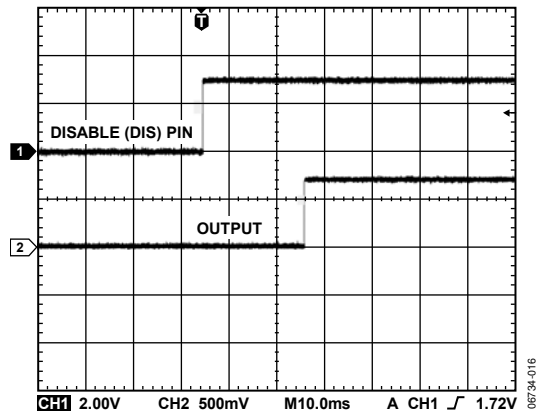


Figure 15. Output Enable

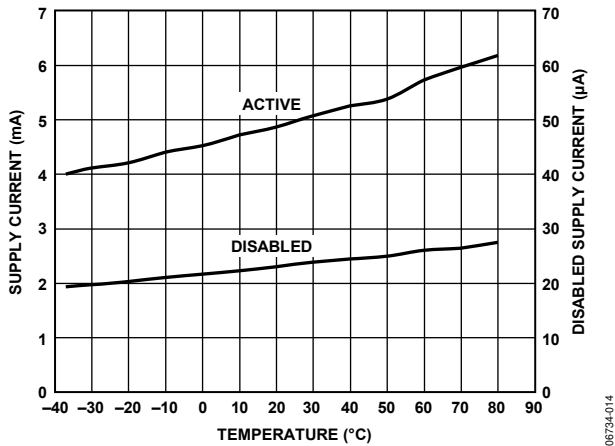


Figure 13. Supply Current vs. Temperature

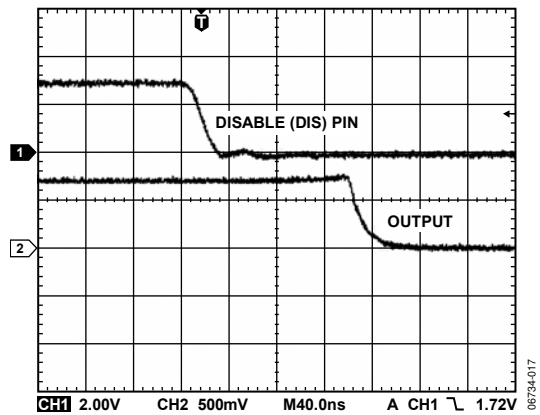


Figure 16. Output Disable

## THEORY OF OPERATION

### OVERVIEW

The ADA4431-1 is designed for exceptional performance as both a filter and a low power driver for portable video applications. This performance is achieved by providing third-order filtering without trading off power consumption or device size. While consuming only 4.7 mA quiescent supply current, the ADA4431-1 provides video output on a single-supply as low as 2.5 V.

The ADA4431-1 also features a load detect circuit, which senses current through the external 75  $\Omega$  back-termination resistor. When either no video load or a short circuit is detected, the ADA4431-1 enters a low power state. In this state, it draws 0.1 mA, continues to monitor the load current, and powers up automatically when a video load is connected. Optionally, the ADA4431-1 can be powered down via the disable pin (DIS). Another external pin (LDO) outputs the load detection state (for example, to an external system controller). This pin is high (+V<sub>S</sub>) when a video load is present, and low (0 V) in the absence of a video load or when the output is short-circuited.

The ADA4431-1 is intended for use in applications that have both ac- and dc-coupled inputs and outputs. The rail-to-rail buffer on the ADA4431-1 output is able to drive 2 V p-p video signals into two doubly terminated video loads (150  $\Omega$  each) on a single 2.5 V supply. The ADA4431-1 has a gain of 2 when the SAG correction pin is tied directly to the output, which makes up for the 6 dB termination loss (see Figure 17, Output Option 1). When the SAG feature is used, the ADA4431-1 has a low frequency gain of 2.5 ( $\approx$ 8 dB) and a high frequency gain of 2 (see Figure 17, Output Option 2). Signal offsets and supply levels must be considered when using the SAG correction feature to ensure that there are no headroom issues.

The input range of the ADA4431-1 includes ground, while the output range is limited by the saturation of the output devices. Saturation occurs several tens of mV from the positive and negative supply rails.

The high input impedance and low input capacitance of the ADA4431-1 offer advantages in a number of low power applications. In reconstruction filter applications, the DAC can be placed in its lowest power mode, allowing the use of a large-valued load resistor. Using a large-valued load resistor does not interfere with the frequency response of the ADA4431-1.

### CHARGE PUMP OPERATION

The on-board charge pump creates a virtual negative supply for the output driver, which allows the output signal to be dc-coupled, with its black level at 0 V and sync tip at  $-300$  mV. The charge pump is enabled whenever the disable pin (DIS) is held high. If DIS is left floating, or placed in a high impedance state, the ADA4431-1 is powered up, but the charge pump is disabled, which is typically the case for ac-coupling of the output. When DIS is driven to 0 V, the entire device is powered down.

**Table 6. Disable (DIS) Pin Function Summary**

DIS Pin	Device State	Charge Pump State
Low	Disabled	Disabled
High	Enabled	Enabled
High-Z	Enabled	Disabled

### LOAD DETECT

The load detect feature provides additional system power management to keep the power consumption of a portable device to the absolute minimum. The ADA4431-1 monitors the output load for three conditions: a normal load, a shorted load, and an open load. Each of these conditions occurs for a video load, an audio load, and no load, respectively. Only in the video load condition does the ADA4431-1 power up from 0.1 mA to 4.7 mA. A single I/O pin, LDO, notifies the system by either being high for a video load or low for a short and open load. With this information, it is intended that the system controller power down any power intensive video processing blocks to realize substantial power savings. The ADA4431-1 operates autonomously, requiring no inputs to monitor the condition of the output load.

### EVALUATION BOARD

The ADA4431-1 evaluation board allows designers to assess the performance of the part in their particular application. The board includes input and output SMA coaxial connectors and 75 Ω-controlled impedance signal traces. Power (2.5 V to 3.6 V) is applied to the red V+ loop connector, and ground is connected to the black GND loop connector.

The output signal can be configured for dc coupling or ac coupling. When ac-coupled, two options are available: the standard single capacitor configuration (minimum of 220 μF) and the SAG-corrected configuration, using two smaller capacitors (47 μF and 22 μF).

Jumper Block J2 allows the load detect feature to be evaluated without connecting an external video load. Connecting a jumper from the center pin to the 75 Ω position applies a 75 Ω load to the output and causes the LDO pin to go high.

Connecting the center pin to the GND position short circuits the output, causing the ADA4431-1 to power down, and the LDO pin to go low. If an external video load is connected to the OUT connector, the jumper should be removed. With the jumper removed, disconnecting the external load also causes the ADA4431-1 to power down.

Jumper Block J4 exercises the disable pin (DIS). When a jumper is connected from the center pin to V+, the charge pump is enabled. Connecting the center pin to GND forces the ADA4431-1 into low power mode. With the jumper removed, the ADA4431-1 is enabled but the charge pump is disabled.

A schematic of the ADA4431-1 evaluation board, with output coupling options, is shown in Figure 17. Figure 18 and Figure 19 show the front and back layout of the evaluation board.

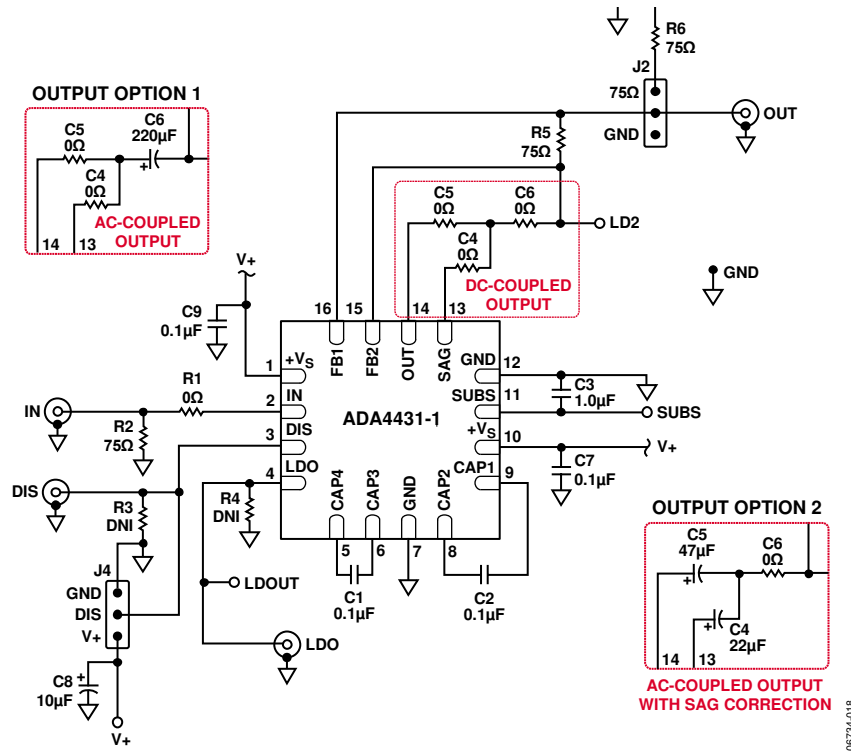


Figure 17. Evaluation Board Schematic

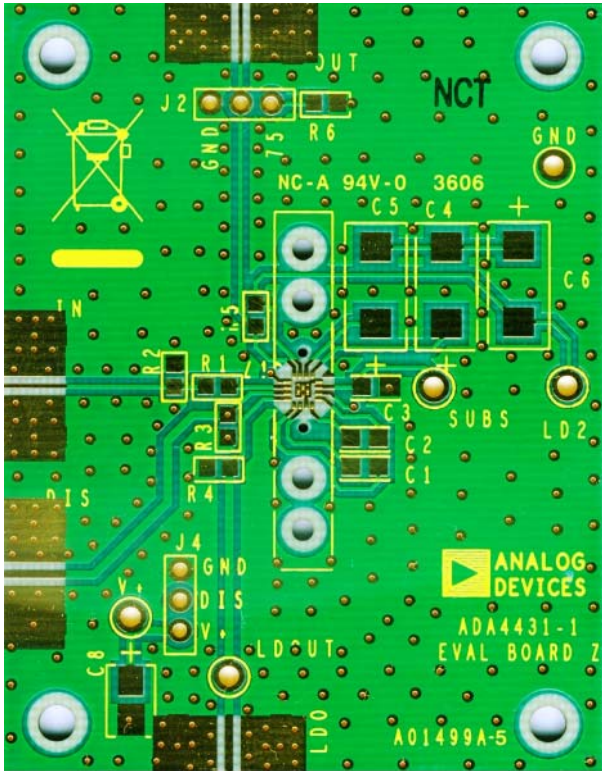


Figure 18. Evaluation Board—Front

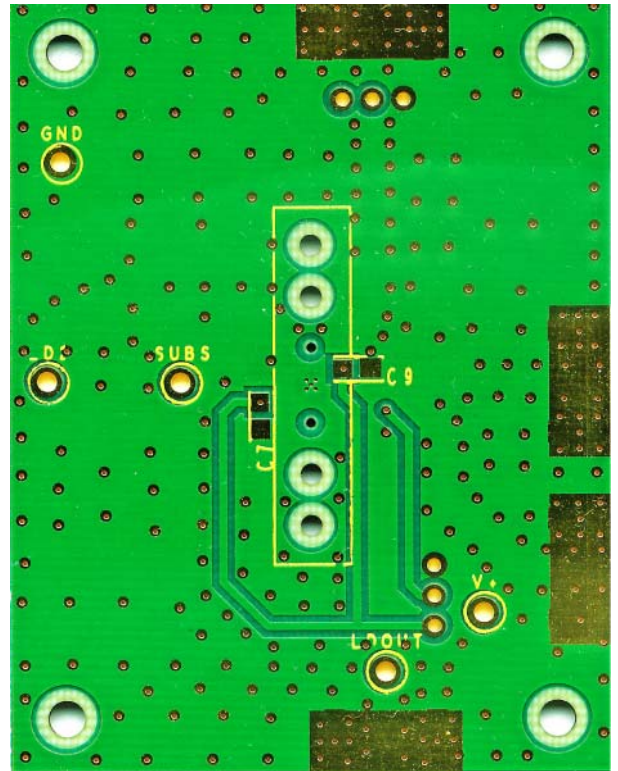
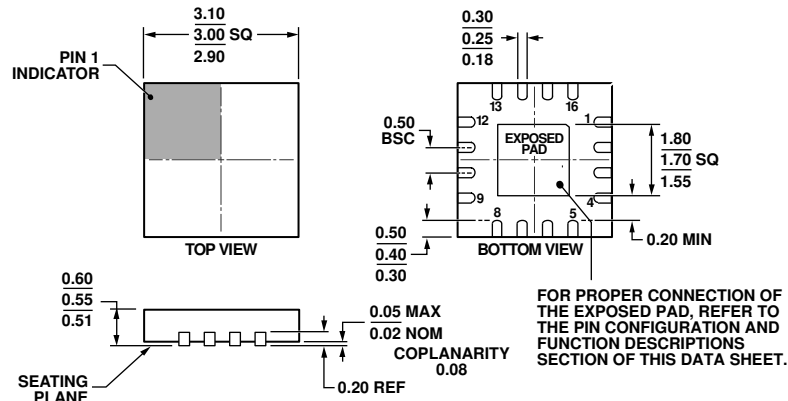


Figure 19. Evaluation Board—Back

OUTLINE DIMENSIONS



COMPLIANT TO JEDEC STANDARDS MO-248-UEED.

Figure 20. 16-Lead Lead Frame Chip Scale Package [LFCSP\_UQ]  
 3 mm × 3 mm Body, Ultra Thin Quad  
 (CP-16-12)  
 Dimensions shown in millimeters

001600-C

ORDERING GUIDE

Model <sup>1</sup>	Temperature Range	Package Description	Package Option	Branding	Ordering Quantity
ADA4431-1YCPZ-R2	-40°C to +85°C	16-Lead LFCSP_UQ	CP-16-12	H12	250
ADA4431-1YCPZ-R7	-40°C to +85°C	16-Lead LFCSP_UQ	CP-16-12	H12	1,500
ADA4431-1YCPZ-RL	-40°C to +85°C	16-Lead LFCSP_UQ	CP-16-12	H12	5,000

<sup>1</sup> Z = RoHS Compliant Part.