



Chipsmall Limited consists of a professional team with an average of over 10 year of expertise in the distribution of electronic components. Based in Hongkong, we have already established firm and mutual-benefit business relationships with customers from,Europe,America and south Asia,supplying obsolete and hard-to-find components to meet their specific needs.

With the principle of “Quality Parts,Customers Priority,Honest Operation,and Considerate Service”,our business mainly focus on the distribution of electronic components. Line cards we deal with include Microchip,ALPS,ROHM,Xilinx,Pulse,ON,Everlight and Freescale. Main products comprise IC,Modules,Potentiometer,IC Socket,Relay,Connector.Our parts cover such applications as commercial,industrial, and automotives areas.

We are looking forward to setting up business relationship with you and hope to provide you with the best service and solution. Let us make a better world for our industry!



## Contact us

Tel: +86-755-8981 8866 Fax: +86-755-8427 6832

Email & Skype: info@chipsmall.com Web: www.chipsmall.com

Address: A1208, Overseas Decoration Building, #122 Zhenhua RD., Futian, Shenzhen, China



## Evaluation Board for Single High Speed Selectable Gain Differential Amplifiers (16-Lead, 3 mm × 3 mm LFCSP)

### FEATURES

- Enables quick breadboarding/prototyping**
- Selectable gain of 1, 2, or 3**
- Edge-mounted SMA connector provisions**
- Easy connection to test equipment and other circuits**

### GENERAL DESCRIPTION

The 16-lead, 3 mm × 3 mm lead frame chip scale package (LFCSP) evaluation board is designed to aid in the evaluation of single, high speed, selectable gain differential amplifiers. It has the flexibility to choose between a gain of 1, 2, or 3. The evaluation board is a bare board (that is, there are no components soldered to the board) that enables users to quickly prototype a variety of differential amplifier circuits, which minimizes risk and reduces time to market. The evaluation board supports any of Analog Devices, Inc., single, high speed differential amplifiers in 3 mm × 3 mm LFCSP packages.

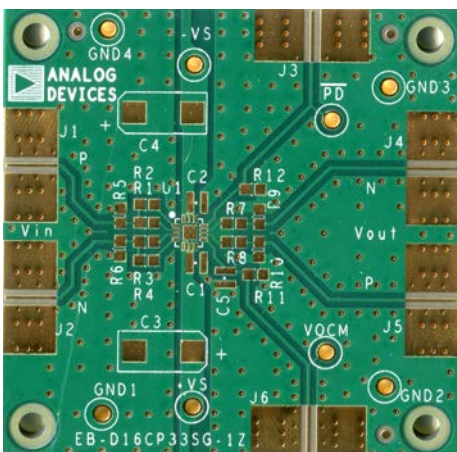
Figure 1 and Figure 2 show the component side and circuit side of the evaluation board. Figure 3 shows the evaluation board schematic.

The 4-layer evaluation board accepts edge-mounted Subminiature Version A (SMA) connectors on both inputs and outputs, which allows efficient and quick connection to test equipment or other circuitry.

The board ground plane, component placement, and power supply bypassing have been optimized for maximum circuit flexibility and performance. The evaluation board uses a variety of surface-mount technology (SMT) component case sizes: 0508, 0603, and 7343.

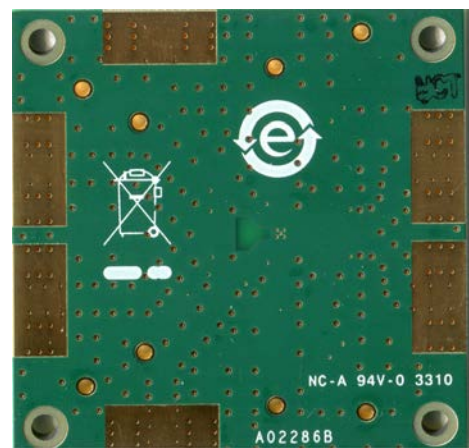
Figure 4 and Figure 6 show the evaluation board assembly drawings. The metal layout pattern for connecting the board to the op amp and to the supporting circuitry is shown in Figure 5 and Figure 7.

### DIGITAL PICTURES OF THE EVALUATION BOARD



**NOTES**  
1. THE EVALUATION BOARD SILKSCREEN PART NUMBER LABELING ON YOUR BOARD MAY BE DIFFERENT FROM WHAT IS SHOWN HERE.

Figure 1. Component Side of the Evaluation Board



**NOTES**  
1. THE EVALUATION BOARD SILKSCREEN PART NUMBER LABELING ON YOUR BOARD MAY BE DIFFERENT FROM WHAT IS SHOWN HERE.

Figure 2. Circuit Side of the Evaluation Board

**TABLE OF CONTENTS**

Features .....	1	Evaluation Board Schematic .....	3
General Description .....	1	Assembly Drawings and Board Layouts.....	4
Digital Pictures of the Evaluation Board .....	1	Ordering Information.....	5
Revision History .....	2	Bill of Materials.....	5

**REVISION HISTORY**

**9/12—Rev. 0 to Rev. A**

Changes to General Description Section, Figure 1, and Figure 2.....	1
Changes to Figure 3 Caption .....	3
Changes to Figure 4, Figure 5, and Figure 7.....	4
Added Ordering Information Section and Bill of Materials Section.....	5

**4/10—Revision 0: Initial Version**



**EVALUATION BOARD SCHEMATIC**

200-98880

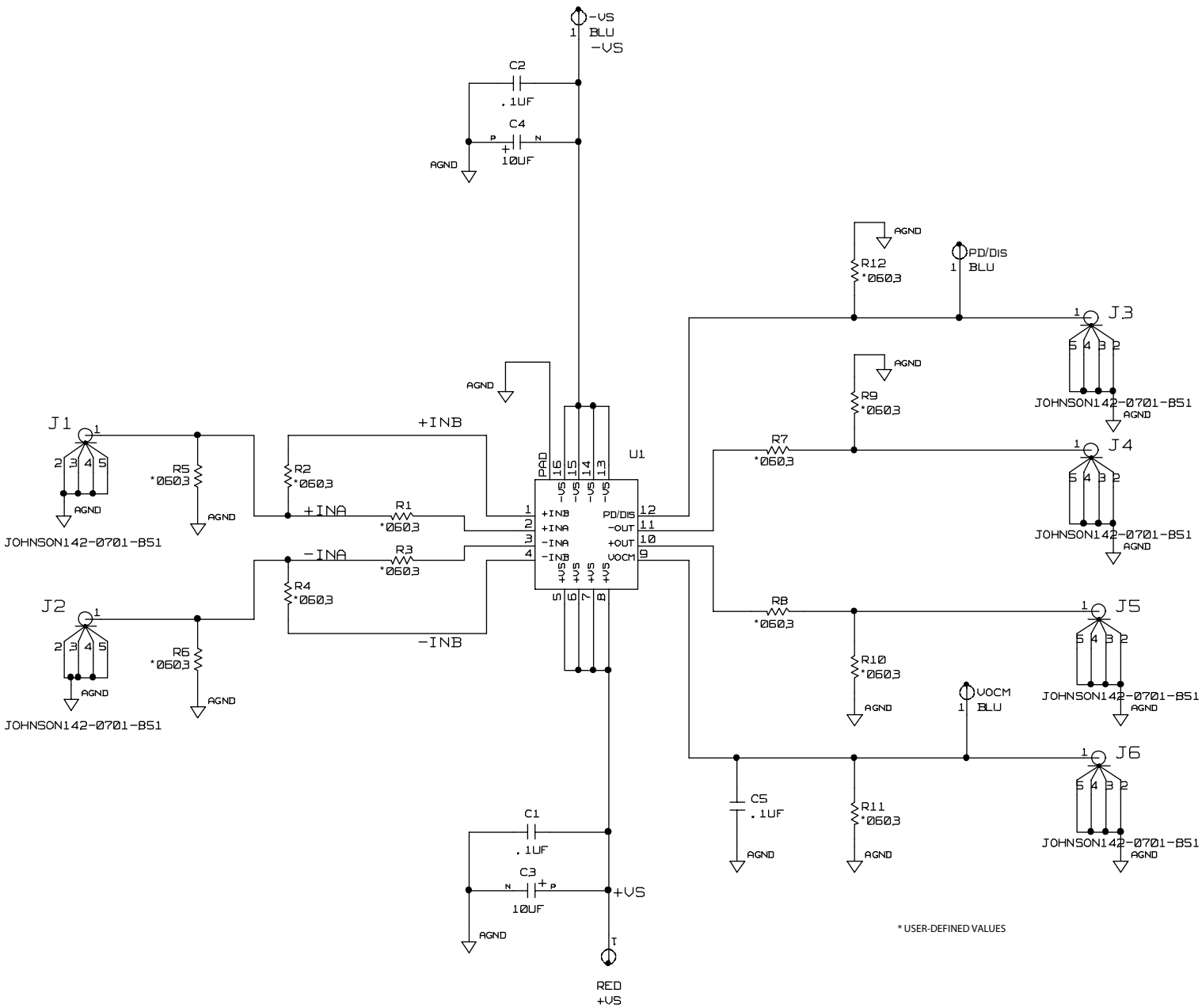


Figure 3. Single Differential Amplifier Evaluation Board Schematic

ASSEMBLY DRAWINGS AND BOARD LAYOUTS

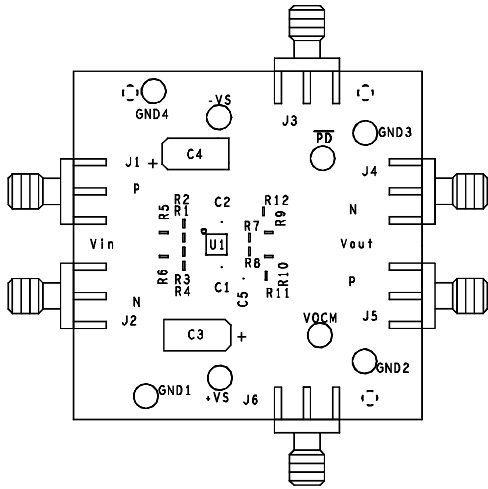


Figure 4. Board Assembly Drawing, Component Side

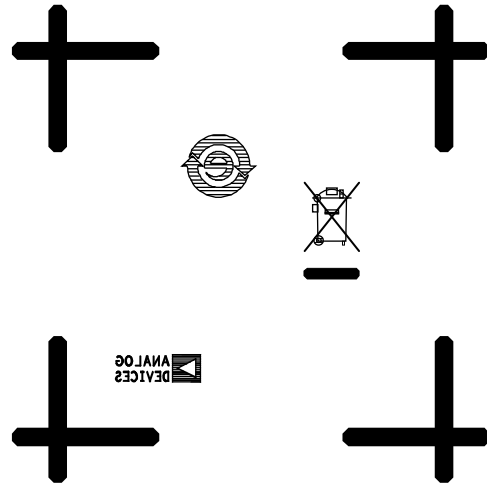


Figure 6. Board Assembly Drawing, Circuit Side

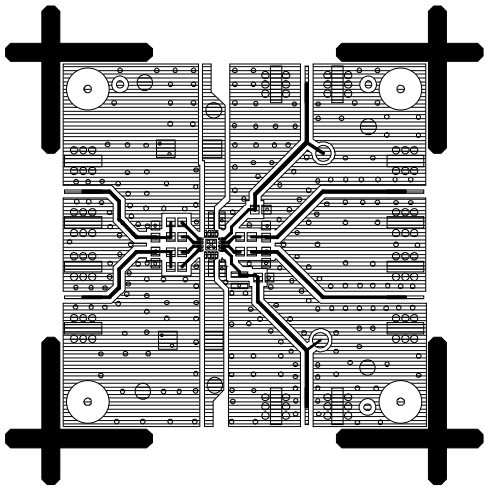


Figure 5. Board Layout Pattern, Component Side

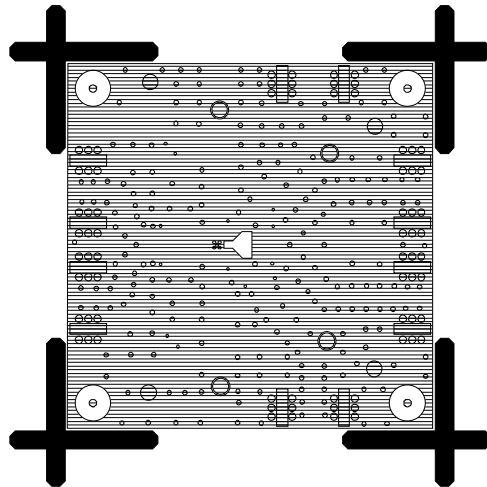


Figure 7. Board Layout Pattern, Circuit Side

## ORDERING INFORMATION

### BILL OF MATERIALS

Table 1.

Quantity	Reference Designator	Description	Package
4	+VS, PD, -VS, VOVM	CONN-PCB test point blue	CNLOOPTP
3	C1, C2, C5	0.1 $\mu$ F capacitors	0508
2	C3, C4	10 $\mu$ F capacitors	7343
4	GND1 to GND4	CONN-PCB test point black	CNLOOPTP
6	J1 to J6	CONN jack end launch PC gold SMA	JOHNSON142-0701-851
12	R1 to R12	User-defined resistors	0603
1	U1	GEN_QFN16_3x3_PAD1_5x1_5	QFN16_3X3_PAD1_5X1_5
1	PCB	Printed circuit board	

**NOTES**

**NOTES**



## NOTES

**ESD Caution**

**ESD (electrostatic discharge) sensitive device.** Charged devices and circuit boards can discharge without detection. Although this product features patented or proprietary protection circuitry, damage may occur on devices subjected to high energy ESD. Therefore, proper ESD precautions should be taken to avoid performance degradation or loss of functionality.

**Legal Terms and Conditions**

By using the evaluation board discussed herein (together with any tools, components documentation or support materials, the "Evaluation Board"), you are agreeing to be bound by the terms and conditions set forth below ("Agreement") unless you have purchased the Evaluation Board, in which case the Analog Devices Standard Terms and Conditions of Sale shall govern. Do not use the Evaluation Board until you have read and agreed to the Agreement. Your use of the Evaluation Board shall signify your acceptance of the Agreement. This Agreement is made by and between you ("Customer") and Analog Devices, Inc. ("ADI"), with its principal place of business at One Technology Way, Norwood, MA 02062, USA. Subject to the terms and conditions of the Agreement, ADI hereby grants to Customer a free, limited, personal, temporary, non-exclusive, non-sublicensable, non-transferable license to use the Evaluation Board FOR EVALUATION PURPOSES ONLY. Customer understands and agrees that the Evaluation Board is provided for the sole and exclusive purpose referenced above, and agrees not to use the Evaluation Board for any other purpose. Furthermore, the license granted is expressly made subject to the following additional limitations: Customer shall not (i) rent, lease, display, sell, transfer, assign, sublicense, or distribute the Evaluation Board; and (ii) permit any Third Party to access the Evaluation Board. As used herein, the term "Third Party" includes any entity other than ADI, Customer, their employees, affiliates and in-house consultants. The Evaluation Board is NOT sold to Customer; all rights not expressly granted herein, including ownership of the Evaluation Board, are reserved by ADI. CONFIDENTIALITY. This Agreement and the Evaluation Board shall all be considered the confidential and proprietary information of ADI. Customer may not disclose or transfer any portion of the Evaluation Board to any other party for any reason. Upon discontinuation of use of the Evaluation Board or termination of this Agreement, Customer agrees to promptly return the Evaluation Board to ADI. ADDITIONAL RESTRICTIONS. Customer may not disassemble, decompile or reverse engineer chips on the Evaluation Board. Customer shall inform ADI of any occurred damages or any modifications or alterations it makes to the Evaluation Board, including but not limited to soldering or any other activity that affects the material content of the Evaluation Board. Modifications to the Evaluation Board must comply with applicable law, including but not limited to the RoHS Directive. TERMINATION. ADI may terminate this Agreement at any time upon giving written notice to Customer. Customer agrees to return to ADI the Evaluation Board at that time. LIMITATION OF LIABILITY. THE EVALUATION BOARD PROVIDED HEREUNDER IS PROVIDED "AS IS" AND ADI MAKES NO WARRANTIES OR REPRESENTATIONS OF ANY KIND WITH RESPECT TO IT. ADI SPECIFICALLY DISCLAIMS ANY REPRESENTATIONS, ENDORSEMENTS, GUARANTEES, OR WARRANTIES, EXPRESS OR IMPLIED, RELATED TO THE EVALUATION BOARD INCLUDING, BUT NOT LIMITED TO, THE IMPLIED WARRANTY OF MERCHANTABILITY, TITLE, FITNESS FOR A PARTICULAR PURPOSE OR NON-INFRINGEMENT OF INTELLECTUAL PROPERTY RIGHTS. IN NO EVENT WILL ADI AND ITS LICENSORS BE LIABLE FOR ANY INCIDENTAL, SPECIAL, INDIRECT, OR CONSEQUENTIAL DAMAGES RESULTING FROM CUSTOMER'S POSSESSION OR USE OF THE EVALUATION BOARD, INCLUDING BUT NOT LIMITED TO LOST PROFITS, DELAY COSTS, LABOR COSTS OR LOSS OF GOODWILL. ADI'S TOTAL LIABILITY FROM ANY AND ALL CAUSES SHALL BE LIMITED TO THE AMOUNT OF ONE HUNDRED US DOLLARS (\$100.00). EXPORT. Customer agrees that it will not directly or indirectly export the Evaluation Board to another country, and that it will comply with all applicable United States federal laws and regulations relating to exports. GOVERNING LAW. This Agreement shall be governed by and construed in accordance with the substantive laws of the Commonwealth of Massachusetts (excluding conflict of law rules). Any legal action regarding this Agreement will be heard in the state or federal courts having jurisdiction in Suffolk County, Massachusetts, and Customer hereby submits to the personal jurisdiction and venue of such courts. The United Nations Convention on Contracts for the International Sale of Goods shall not apply to this Agreement and is expressly disclaimed.