



Chipsmall Limited consists of a professional team with an average of over 10 year of expertise in the distribution of electronic components. Based in Hongkong, we have already established firm and mutual-benefit business relationships with customers from,Europe,America and south Asia,supplying obsolete and hard-to-find components to meet their specific needs.

With the principle of “Quality Parts,Customers Priority,Honest Operation,and Considerate Service”,our business mainly focus on the distribution of electronic components. Line cards we deal with include Microchip,ALPS,ROHM,Xilinx,Pulse,ON,Everlight and Freescale. Main products comprise IC,Modules,Potentiometer,IC Socket,Relay,Connector.Our parts cover such applications as commercial,industrial, and automotives areas.

We are looking forward to setting up business relationship with you and hope to provide you with the best service and solution. Let us make a better world for our industry!



## Contact us

Tel: +86-755-8981 8866 Fax: +86-755-8427 6832

Email & Skype: info@chipsmall.com Web: www.chipsmall.com

Address: A1208, Overseas Decoration Building, #122 Zhenhua RD., Futian, Shenzhen, China



# RED INDICATES ORIGINAL

DWG SIZE: **C**  
 DATA CONTAINED IN THIS DOCUMENT IS PROPRIETARY TO TROMPETER ELECTRONICS, INC. AND SHALL NOT BE DISCLOSED, COPIED OR USED FOR REPRODUCTION OR MANUFACTURE WITHOUT EXPRESS WRITTEN PERMISSION.

REVISIONS			12-01		SH 1
REV	ED	DESCRIPTION	OWN	APPROVED	DATE
J	11191	ADDED CJ70TL, -201 THRU -220; ADDED ITEM 34; SEE ECO	DKC	Bmi; Fax	10/26/85

P2 CONN TYPE	FIG NO	P1 CONN TYPE																			
		BJ20					UBJ20					BJ40					UBJ40				
		SCHEMATICS																			
		E1	E2	E3	E4	E5	E1	E2	E3	E4	E5	E1	E2	E3	E4	E5	E1	E2	E3	E4	E5
		DASH NUMBERS																			
BJ74	1A	-1	-2	-3	-4	-189	-5	-6	-7	-8	-170	-9	-10	-11	-12	-171	-13	-14	-15	-16	-172
BJ74TL	1A	-17	-18	-19	-20	-173	-21	-22	-23	-24	-174	-25	-26	-27	-28	-175	-29	-30	-31	-32	-176
BJ74FL	1A	-33	-34	-35	-36	-177	-37	-38	-39	-40	-178	-41	-42	-43	-44	-179	-45	-46	-47	-48	-180
BJ374	1B	-40	-50	-51	-52	-181	-53	-54	-55	-56	-182	-57	-58	-59	-60	-183	-61	-62	-63	-64	-184
BJ79	2A	-65	-66	-67	-68	-185	-69	-70	-71	-72	-186	-73	-74	-75	-76	-187	-77	-78	-79	-80	-188
BJ79TL	2A	-81	-82	-83	-84	-189	-85	-86	-87	-88	-190	-89	-90	-91	-92	-191	-93	-94	-95	-96	-192
BJ79FL	2A	-97	-98	-99	-100	-193	-101	-102	-103	-104	-194	-105	-106	-107	-108	-195	-109	-110	-111	-112	-196
BJ379	2B	-113	-114	-115	-116	-197	-117	-118	-119	-120	-198	-121	-122	-123	-124	-199	-125	-126	-127	-128	-200
CJ76	3A	-129	-130	-131	-132	-133	-134	-135	-136	-137	-138	-139	-140	-141	-142	-143	-144	-145	-146	-147	-148
CJ76	3B	-149	-150	-151	-152	-153	-154	-155	-156	-157	-158	-159	-160	-161	-162	-163	-164	-165	-166	-167	-168
CJ76TL	3A	-201	-202	-203	-204	-205	-206	-207	-208	-209	-210	-211	-212	-213	-214	-215	-216	-217	-218	-219	-220

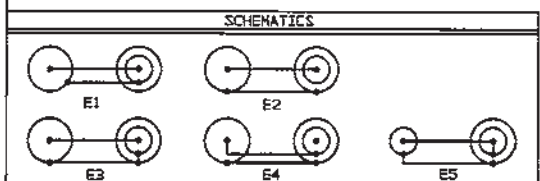


FIG 1A (P1)  
 -1 SHOWN  
 -57 SHOWN  
 FIG 1B (P1)

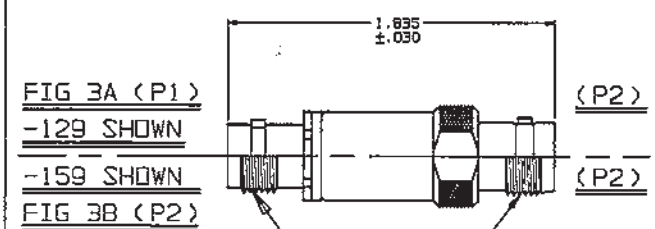
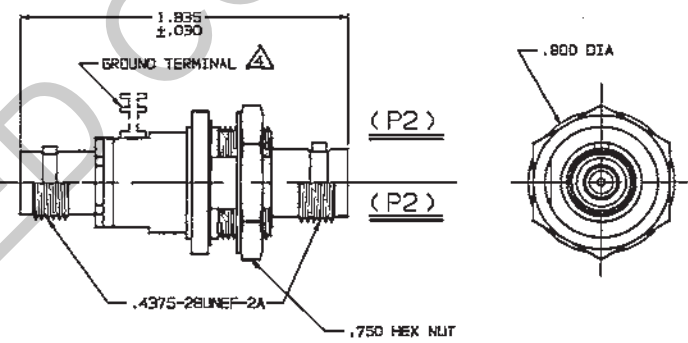
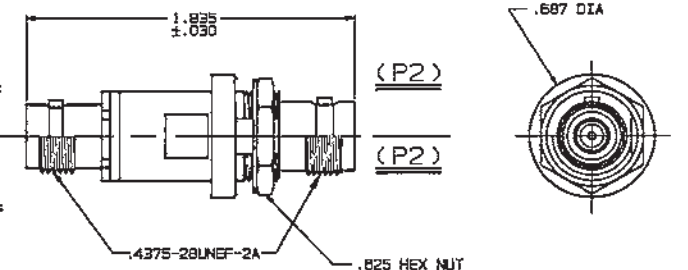


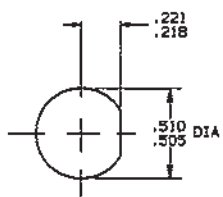
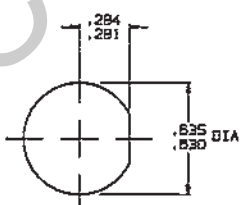
FIG 3A (P1)  
 -129 SHOWN  
 -159 SHOWN  
 FIG 3B (P2)



FIG 2A (P1)  
 -65 SHOWN  
 -121 SHOWN  
 FIG 2B (P1)



INCH	MM
.005	0.13
.030	0.76
.109	2.77
.140	3.56
.218	5.54
.221	5.61
.281	7.14
.284	7.21
.505	12.83
.510	12.95
.593	15.06
.625	15.88
.830	21.00
.835	21.13
.897	22.78
.750	19.05
.800	20.32
1.835	46.81



RECOMMENDED  
 PANEL CUTOUT  
 FOR -1 THRU -64  
 MAX PNL THK .140

RECOMMENDED  
 PANEL CUTOUT  
 FOR -65 THRU -128  
 MAX PNL THK .160

- ⚠ FOR OPTIONAL GROUND TERMINAL ADD PREFIX "G" TO DASH NO (-G1 ETC)
- 3. BETWEEN SERIES ADAPTER, 50 & 75 OHM BNC/TNC COAXIAL JACK TO CONCENTRIC TWINAX/TRIAX INSULATED & NONINSULATED BULKHEAD MOUNT JACK
- 2. FINISH: TFS-1A (NICKEL)
- 1. ALL DIM ARE IN INCHES

QTY	DESCRIPTION	PART NUMBER	ITEM
TOL UNLESS SPECIFIED		ADAPTERS: U/BJ20/40 TO *70* SERIES BULKHEAD MOUNT	REV
.005 ±.005			
DWN	DKC	B-1-85	MATERIAL
CHK	Bmi	10-4-85	DATE
ENGR			SCALE 2/1
APPR	Fox	10/1/85	DATE 6/17/85
NEXT ASSY			SHEET 1 OF 2