



Chipsmall Limited consists of a professional team with an average of over 10 year of expertise in the distribution of electronic components. Based in Hongkong, we have already established firm and mutual-benefit business relationships with customers from,Europe,America and south Asia,supplying obsolete and hard-to-find components to meet their specific needs.

With the principle of “Quality Parts,Customers Priority,Honest Operation,and Considerate Service”,our business mainly focus on the distribution of electronic components. Line cards we deal with include Microchip,ALPS,ROHM,Xilinx,Pulse,ON,Everlight and Freescale. Main products comprise IC,Modules,Potentiometer,IC Socket,Relay,Connector.Our parts cover such applications as commercial,industrial, and automotives areas.

We are looking forward to setting up business relationship with you and hope to provide you with the best service and solution. Let us make a better world for our industry!



Contact us

Tel: +86-755-8981 8866 Fax: +86-755-8427 6832

Email & Skype: info@chipsmall.com Web: www.chipsmall.com

Address: A1208, Overseas Decoration Building, #122 Zhenhua RD., Futian, Shenzhen, China



FEATURES

- Six 10-bit, 40 MHz analog front-end (AFE) channels
- 1.8 V analog and digital core supply voltage
- Serial data link with reduced range low voltage differential signaling (LVDS) outputs
- Input amplifier with -3 dB, 0 dB, $+3$ dB, or $+6$ dB gain
- 6 dB to 42 dB, 10-bit variable gain amplifier (VGA)
- Black level clamp with variable level control
- Low power consumption

APPLICATIONS

- Digital copiers
- Multifunction copiers
- Industrial high speed scanners

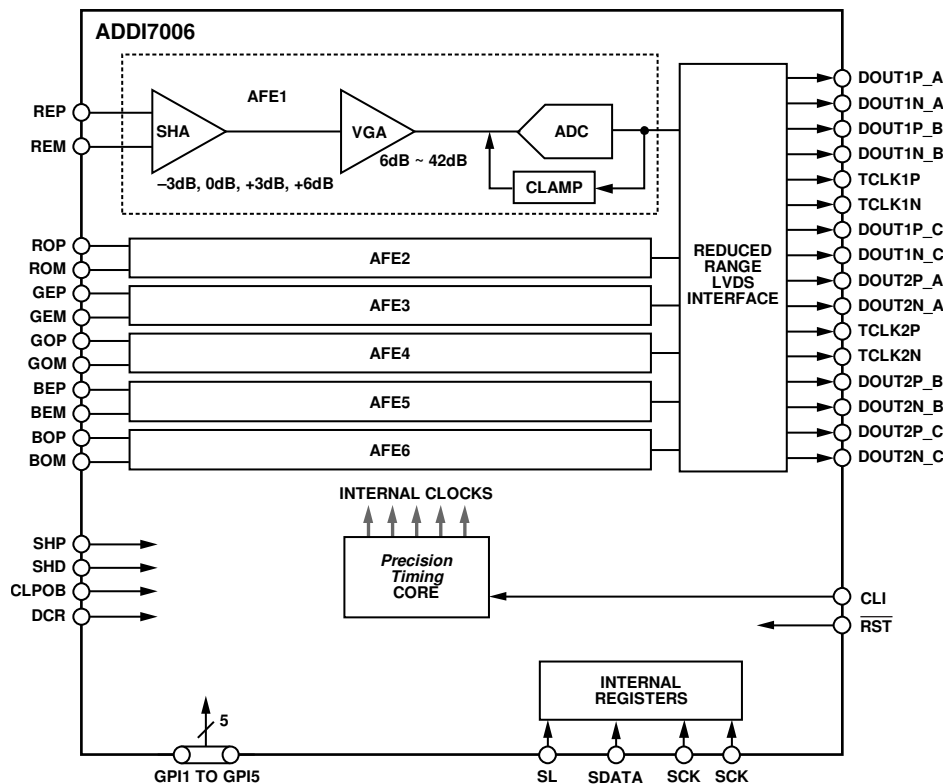
GENERAL DESCRIPTION

The **ADDI7006** is a highly integrated 6-channel charged-coupled device (CCD) signal processor for high speed scanner applications. Each channel is specified at pixel rates of up to 40 MHz, and consists of six complete analog front ends with correlated double sampling, variable gain amplification, and 10-bit analog-to-digital conversion. The **ADDI7006** also contains a reduced range LVDS interface for the digital data output to reduce electromagnetic interference (EMI) concerns.

Each analog front end includes black level clamping, a VGA, and a 40 MSPS, 10-bit analog-to-digital converter (ADC). Operation is programmed using a 3-wire serial interface.

Packaged in a space-saving 80-lead TQFP package, the **ADDI7006** is specified over an operating temperature range of -25°C to $+85^{\circ}\text{C}$.

FUNCTIONAL BLOCK DIAGRAM



NOTES
1. THE CIRCUITRY FOR AFE1 TO AFE6 IS IDENTICAL.

Figure 1.

For more information on the **ADDI7006**, email Analog Devices, Inc., at afe.ccd@analog.com.

Rev. SpA

[Document Feedback](#)

Information furnished by Analog Devices is believed to be accurate and reliable. However, no responsibility is assumed by Analog Devices for its use, nor for any infringements of patents or other rights of third parties that may result from its use. Specifications subject to change without notice. No license is granted by implication or otherwise under any patent or patent rights of Analog Devices. Trademarks and registered trademarks are the property of their respective owners.

One Technology Way, P.O. Box 9106, Norwood, MA 02062-9106, U.S.A.
Tel: 781.329.4700 ©2012–2013 Analog Devices, Inc. All rights reserved.
[Technical Support](#) www.analog.com

ADDI7006* PRODUCT PAGE QUICK LINKS

Last Content Update: 02/23/2017

COMPARABLE PARTS

View a parametric search of comparable parts.

DOCUMENTATION

Data Sheet

- ADDI7006: 6-Channel, 10-Bit, 40 MSPS CCD Signal Processor Data Sheet

DESIGN RESOURCES

- ADDI7006 Material Declaration
- PCN-PDN Information
- Quality And Reliability
- Symbols and Footprints

DISCUSSIONS

View all ADDI7006 EngineerZone Discussions.

SAMPLE AND BUY

Visit the product page to see pricing options.

TECHNICAL SUPPORT

Submit a technical question or find your regional support number.

DOCUMENT FEEDBACK

Submit feedback for this data sheet.

NOTES