



Chipsmall Limited consists of a professional team with an average of over 10 year of expertise in the distribution of electronic components. Based in Hongkong, we have already established firm and mutual-benefit business relationships with customers from,Europe,America and south Asia,supplying obsolete and hard-to-find components to meet their specific needs.

With the principle of “Quality Parts,Customers Priority,Honest Operation,and Considerate Service”,our business mainly focus on the distribution of electronic components. Line cards we deal with include Microchip,ALPS,ROHM,Xilinx,Pulse,ON,Everlight and Freescale. Main products comprise IC,Modules,Potentiometer,IC Socket,Relay,Connector.Our parts cover such applications as commercial,industrial, and automotives areas.

We are looking forward to setting up business relationship with you and hope to provide you with the best service and solution. Let us make a better world for our industry!



Contact us

Tel: +86-755-8981 8866 Fax: +86-755-8427 6832

Email & Skype: info@chipsmall.com Web: www.chipsmall.com

Address: A1208, Overseas Decoration Building, #122 Zhenhua RD., Futian, Shenzhen, China



FEATURES

Differential analog inputs
CDS or SHA (CDS bypass) with 7 gain settings
0 dB to 36 dB, 10-bit variable gain amplifier (VGA)
16-bit, 75 MSPS analog-to-digital converter (ADC)
***Precision Timing* core with 210 ps resolution at 75 MHz**
8 independent H-clock phases with programmable drive strength (3.6 V maximum swing)
4 general-purpose outputs (GPO)
On-chip sync generator with external sync input
Reduced range LVDS outputs with single clock lane
6 mm × 6 mm CSP_BGA package with 0.5 mm pitch

APPLICATIONS

Industrial cameras
Surveillance cameras
Medical imaging
Professional photography

GENERAL DESCRIPTION

The **ADDI7013** is a highly integrated, dual-channel, CCD signal processor for high speed digital imaging applications. Each channel is specified at pixel rates of up to 75 MHz and consists of a complete analog front end (AFE) with analog-to-digital conversion. The *Precision Timing*® core allows adjustment of the correlated double sampler (CDS) and horizontal clocks with 210 ps resolution at 75 MHz operation. There are eight independent horizontal clock outputs with programmable drive strength to support a variety of CCD timing requirements.

Each analog front end includes black level clamping; a CDS; a VGA; and a 16-bit, 75 MSPS analog-to-digital converter (ADC). Operation is programmed using a 3-wire serial interface.

Packaged in a space-saving, 6 mm × 6 mm, CSP_BGA, the **ADDI7013** is specified over an operating temperature range of -40°C to +85°C.

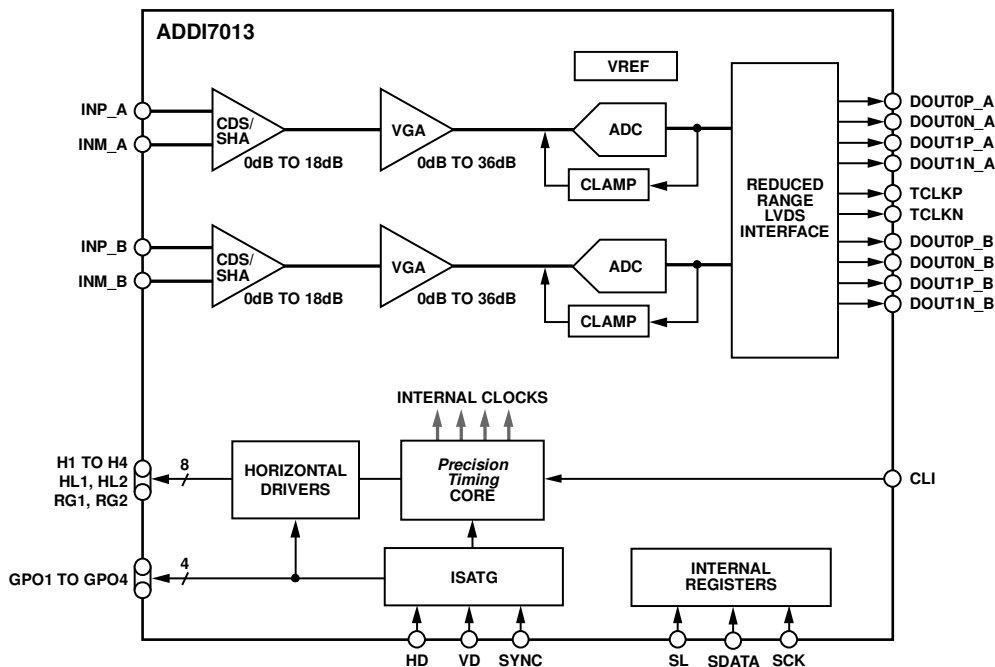
FUNCTIONAL BLOCK DIAGRAM


Figure 1.

11784-001

For more information about the **ADDI7013**, contact Analog Devices, Inc., at afe.ccd@analog.com.

Rev. Sp0

Document Feedback

Information furnished by Analog Devices is believed to be accurate and reliable. However, no responsibility is assumed by Analog Devices for its use, nor for any infringements of patents or other rights of third parties that may result from its use. Specifications subject to change without notice. No license is granted by implication or otherwise under any patent or patent rights of Analog Devices. Trademarks and registered trademarks are the property of their respective owners.

One Technology Way, P.O. Box 9106, Norwood, MA 02062-9106, U.S.A.
 Tel: 781.329.4700 ©2013 Analog Devices, Inc. All rights reserved.
Technical Support www.analog.com

ADDI7013* PRODUCT PAGE QUICK LINKS

Last Content Update: 02/23/2017

COMPARABLE PARTS

View a parametric search of comparable parts.

DOCUMENTATION

Data Sheet

- ADDI7013: Dual-Channel CCD Signal Processor with Precision Timing Core Data Sheet

DESIGN RESOURCES

- ADDI7013 Material Declaration
- PCN-PDN Information
- Quality And Reliability
- Symbols and Footprints

DISCUSSIONS

View all ADDI7013 EngineerZone Discussions.

SAMPLE AND BUY

Visit the product page to see pricing options.

TECHNICAL SUPPORT

Submit a technical question or find your regional support number.

DOCUMENT FEEDBACK

Submit feedback for this data sheet.

NOTES