



Chipsmall Limited consists of a professional team with an average of over 10 year of expertise in the distribution of electronic components. Based in Hongkong, we have already established firm and mutual-benefit business relationships with customers from,Europe,America and south Asia,supplying obsolete and hard-to-find components to meet their specific needs.

With the principle of "Quality Parts,Customers Priority,Honest Operation,and Considerate Service",our business mainly focus on the distribution of electronic components. Line cards we deal with include Microchip,ALPS,ROHM,Xilinx,Pulse,ON,Everlight and Freescale. Main products comprise IC,Modules,Potentiometer,IC Socket,Relay,Connector.Our parts cover such applications as commercial,industrial, and automotives areas.

We are looking forward to setting up business relationship with you and hope to provide you with the best service and solution. Let us make a better world for our industry!



## Contact us

Tel: +86-755-8981 8866 Fax: +86-755-8427 6832

Email & Skype: info@chipsmall.com Web: www.chipsmall.com

Address: A1208, Overseas Decoration Building, #122 Zhenhua RD., Futian, Shenzhen, China



**FEATURES**

**High Off Isolation**  $-75$  dB at 100 MHz  
 **$-3$  dB Signal Bandwidth** 300 MHz  
**+1.8 V to +5.5 V Single Supply**  
**Low On-Resistance** (15  $\Omega$ )  
**Fast Switching Times**  
 $t_{ON}$  Typically 9 ns  
 $t_{OFF}$  Typically 3 ns  
**Typical Power Consumption**  $<0.01$   $\mu$ W  
**TTL/CMOS Compatible**

**APPLICATIONS**

**Audio and Video Switching**  
**RF Switching**  
**Networking Applications**  
**Battery Powered Systems**  
**Communication Systems**  
**Relay Replacement**  
**Sample-and-Hold Systems**

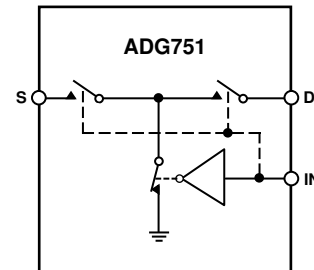
**GENERAL DESCRIPTION**

The ADG751 is a low voltage SPST (single pole, single throw) switch. It is constructed in a T-switch configuration, which results in excellent Off Isolation while maintaining good frequency response in the ON condition.

High off isolation and wide signal bandwidth make this part suitable for switching RF and video signals. Low power consumption and operating supply range of +1.8 V to +5.5 V make it ideal for battery powered, portable instruments.

The ADG751 is designed on a submicron process that provides low power dissipation yet gives high switching speed and low on resistance. This part is a fully bidirectional switch and can handle signals up to and including the supply rails.

The ADG751 is available in 6-lead SOT-23 and 8-lead  $\mu$ SOIC packages.

**FUNCTIONAL BLOCK DIAGRAM**

SWITCH SHOWN FOR A LOGIC "1" INPUT

**PRODUCT HIGHLIGHTS**

1. High Off Isolation  $-75$  dB at 100 MHz.
2.  $-3$  dB Signal Bandwidth 300 MHz.
3. Low On-Resistance (15  $\Omega$ ).
4. Low Power Consumption, typically  $<0.01$   $\mu$ W.
5. Tiny 6-lead SOT-23 and 8-lead  $\mu$ SOIC packages.

## REV. A

Information furnished by Analog Devices is believed to be accurate and reliable. However, no responsibility is assumed by Analog Devices for its use, nor for any infringements of patents or other rights of third parties which may result from its use. No license is granted by implication or otherwise under any patent or patent rights of Analog Devices.

# ADG751\* PRODUCT PAGE QUICK LINKS

Last Content Update: 02/23/2017

---

## COMPARABLE PARTS

View a parametric search of comparable parts.

## EVALUATION KITS

- Evaluation Board for 6 lead SOT23 Devices in the Switches/Multiplexers Portfolio
- Evaluation Board for 8 lead MSOP Devices in the Switch/Mux Portfolio

## DOCUMENTATION

### Data Sheet

- ADG751: CMOS, Low Voltage, RF/Video, SPST Switch Data Sheet

### User Guides

- UG-893: Evaluating the 8-Lead MSOP Devices in the Switch/Mux Portfolio
- UG-948: Evaluation Board for 6-Lead SOT-23 Devices in the Switches and Multiplexers Portfolio

## REFERENCE MATERIALS

### Product Selection Guide

- Switches and Multiplexers Product Selection Guide

### Technical Articles

- CMOS Switches Offer High Performance in Low Power, Wideband Applications
- Data-acquisition system uses fault protection
- Enhanced Multiplexing for MEMS Optical Cross Connects
- Temperature monitor measures three thermal zones

## DESIGN RESOURCES

- ADG751 Material Declaration
- PCN-PDN Information
- Quality And Reliability
- Symbols and Footprints

## DISCUSSIONS

View all ADG751 EngineerZone Discussions.

## SAMPLE AND BUY

Visit the product page to see pricing options.

## TECHNICAL SUPPORT

Submit a technical question or find your regional support number.

## DOCUMENT FEEDBACK

Submit feedback for this data sheet.

# ADG751—SPECIFICATIONS ( $V_{DD} = +5\text{ V} \pm 10\%$ , $GND = 0\text{ V}$ , unless otherwise noted.)

| Parameter                                  | B Grade    |                 | A Grade    |                 | Units             | Test Conditions/Comments  |
|--|------------|-----------------|------------|-----------------|-------------------|---|
|  | +25°C      | -40°C to +85°C  | +25°C      | -40°C to +85°C  |                   |   |
| <b>ANALOG SWITCH</b>                       |            |                 |            |                 |                   |   |
| Analog Signal Range                        |            | 0 V to $V_{DD}$ |            | 0 V to $V_{DD}$ | V                 |   |
| On-Resistance ( $R_{ON}$ )                 | 28         |                 | 15         |                 | $\Omega$ typ      | $V_S = 0\text{ V to }V_{DD}$ , $I_{DS} = 10\text{ mA}$ ;<br>Test Circuit 1                          |
| On-Resistance Flatness ( $R_{FLAT(ON)}$ )  | 35         | 40              | 18         | 20              | $\Omega$ max      |   |
|  | 3          |                 | 2          |                 | $\Omega$ typ      | $V_S = 0\text{ V to }2.5\text{ V}$ , $I_{DS} = 10\text{ mA}$  |
|  |            | 5               |            | 3               | $\Omega$ max      | $V_{DD} = 4.5\text{ V}$   |
| <b>LEAKAGE CURRENTS</b>                    |            |                 |            |                 |                   |   |
| Source OFF Leakage $I_S$ (OFF)             | $\pm 0.01$ |                 | $\pm 0.01$ |                 | nA typ            | $V_{DD} = +5.5\text{ V}$<br>$V_D = 4.5\text{ V/1 V}$ , $V_S = 1\text{ V/4.5 V}$ ;<br>Test Circuit 2 |
| Drain OFF Leakage $I_D$ (OFF)              | $\pm 0.25$ | $\pm 3.0$       | $\pm 0.25$ | $\pm 3.0$       | nA max            |   |
| Channel ON Leakage $I_D$ , $I_S$ (ON)      | $\pm 0.01$ |                 | $\pm 0.01$ |                 | nA typ            | $V_D = 4.5\text{ V/1 V}$ , $V_S = 1\text{ V/4.5 V}$ ;<br>Test Circuit 2                             |
|  | $\pm 0.25$ | $\pm 3.0$       | $\pm 0.25$ | $\pm 3.0$       | nA max            |   |
|  | $\pm 0.01$ |                 | $\pm 0.01$ |                 | nA typ            | $V_D = V_S = 1\text{ V}$ , or $4.5\text{ V}$ ;<br>Test Circuit 3                                    |
|  | $\pm 0.25$ | $\pm 3.0$       | $\pm 0.25$ | $\pm 3.0$       | nA max            |   |
| <b>DIGITAL INPUTS</b>                      |            |                 |            |                 |                   |   |
| Input High Voltage, $V_{INH}$              |            | 2.4             |            | 2.4             | V min             |   |
| Input Low Voltage, $V_{INL}$               |            | 0.8             |            | 0.8             | V max             |   |
| Input Current                              |            |                 |            |                 |                   |   |
| $I_{INL}$ or $I_{INH}$                     | 0.001      |                 | 0.001      |                 | $\mu\text{A}$ typ | $V_{IN} = V_{INL}$ or $V_{INH}$   |
|  |            | $\pm 0.5$       |            | $\pm 0.5$       | $\mu\text{A}$ max |   |
| $C_{IN}$ , Digital Input Capacitance       | 2          |                 | 2          |                 | pF typ            |   |
| <b>DYNAMIC CHARACTERISTICS<sup>1</sup></b> |            |                 |            |                 |                   |   |
| $t_{ON}$                                   | 9          |                 | 9          |                 | ns typ            | $R_L = 300\ \Omega$ , $C_L = 35\text{ pF}$ ;<br>$V_S = 3\text{ V}$ , Test Circuit 4                 |
|  |            | 13              |            | 13              | ns max            |   |
| $t_{OFF}$                                  | 3          |                 | 3          |                 | ns typ            | $R_L = 300\ \Omega$ , $C_L = 35\text{ pF}$ ;<br>$V_S = 3\text{ V}$ , Test Circuit 4                 |
|  |            | 5               |            | 5               | ns max            |   |
| Charge Injection                           | 1          |                 | 1          |                 | pC typ            | $V_S = 1\text{ V}$ , $R_S = 0\ \Omega$ , $C_L = 1.0\text{ nF}$ ;<br>Test Circuit 5                  |
| Off Isolation                              | -75        |                 | -65        |                 | dB typ            | $R_L = 50\ \Omega$ , $C_L = 5\text{ pF}$ , $f = 100\text{ MHz}$ ;<br>Test Circuit 6                 |
| -3 dB Bandwidth                            | 180        |                 | 300        |                 | MHz typ           | $R_L = 50\ \Omega$ , $C_L = 5\text{ pF}$ , Test Circuit 7   |
| $C_S$ (OFF)                                | 4          |                 | 4          |                 | pF typ            |   |
| $C_D$ (OFF)                                | 4          |                 | 4          |                 | pF typ            |   |
| $C_D$ , $C_S$ (ON)                         | 26         |                 | 15         |                 | pF typ            |   |
| <b>POWER REQUIREMENTS</b>                  |            |                 |            |                 |                   |   |
| $I_{DD}$                                   | 0.001      |                 | 0.001      |                 | $\mu\text{A}$ typ | $V_{DD} = +5.5\text{ V}$<br>Digital Inputs = 0 V or +5.5 V  |
|  | 0.1        | 0.5             | 0.1        | 0.5             | $\mu\text{A}$ max |   |

## NOTES

<sup>1</sup>Guaranteed by design, not subject to production test.

Specifications subject to change without notice.

# SPECIFICATIONS ( $V_{DD} = +3\text{ V} \pm 10\%$ , $GND = 0\text{ V}$ , unless otherwise noted.)

| Parameter                             | B Grade    |                 | A Grade    |                 | Units                        | Test Conditions/Comments  |
|---------------------------------------|------------|-----------------|------------|-----------------|------------------------------|---|
|                                       | +25°C      | -40°C to +85°C  | +25°C      | -40°C to +85°C  |                              |   |
| ANALOG SWITCH                         |            |                 |            |                 |                              |   |
| Analog Signal Range                   |            | 0 V to $V_{DD}$ |            | 0 V to $V_{DD}$ | V                            |   |
| On-Resistance ( $R_{ON}$ )            | 60         | 90              | 35         | 50              | $\Omega$ typ<br>$\Omega$ max | $V_S = 0\text{ V to }V_{DD}$ , $I_{DS} = -10\text{ mA}$ ;<br>Test Circuit 1                                   |
| LEAKAGE CURRENTS                      |            |                 |            |                 |                              |   |
| Source OFF Leakage $I_S$ (OFF)        | $\pm 0.01$ |                 | $\pm 0.01$ |                 | nA typ                       | $V_{DD} = +3.3\text{ V}$<br>$V_D = 3\text{ V}/1\text{ V}$ , $V_S = 1\text{ V}/3\text{ V}$ ;<br>Test Circuit 2 |
| Drain OFF Leakage $I_D$ (OFF)         | $\pm 0.25$ | $\pm 3.0$       | $\pm 0.25$ | $\pm 3.0$       | nA max                       |   |
| Channel ON Leakage $I_D$ , $I_S$ (ON) | $\pm 0.01$ |                 | $\pm 0.01$ |                 | nA typ                       | $V_D = 1\text{ V}/3\text{ V}$ , $V_S = 3\text{ V}/1\text{ V}$ ;<br>Test Circuit 2                             |
|                                       | $\pm 0.25$ | $\pm 3.0$       | $\pm 0.25$ | $\pm 3.0$       | nA max                       |   |
|                                       | $\pm 0.01$ |                 | $\pm 0.01$ |                 | nA typ                       | $V_D = V_S = 1\text{ V}$ , or $3\text{ V}$ ;<br>Test Circuit 3  |
|                                       | $\pm 0.25$ | $\pm 3.0$       | $\pm 0.25$ | $\pm 3.0$       | nA max                       |   |
| DIGITAL INPUTS                        |            |                 |            |                 |                              |   |
| Input High Voltage, $V_{INH}$         |            | 2.0             |            | 2.0             | V min                        |   |
| Input Low Voltage, $V_{INL}$          |            | 0.4             |            | 0.4             | V max                        |   |
| Input Current                         |            |                 |            |                 |                              |   |
| $I_{INL}$ or $I_{INH}$                | 0.001      |                 | 0.001      |                 | $\mu\text{A}$ typ            | $V_{IN} = V_{INL}$ or $V_{INH}$   |
|                                       |            | $\pm 0.5$       |            | $\pm 0.5$       | $\mu\text{A}$ max            |   |
| $C_{IN}$ , Digital Input Capacitance  | 2          |                 | 2          |                 | pF typ                       |   |
| DYNAMIC CHARACTERISTICS <sup>1</sup>  |            |                 |            |                 |                              |   |
| $t_{ON}$                              | 12         | 19              | 12         | 19              | ns typ<br>ns max             | $R_L = 300\ \Omega$ , $C_L = 35\text{ pF}$ ;<br>$V_S = 2\text{ V}$ , Test Circuit 4                           |
| $t_{OFF}$                             | 4          | 6               | 4          | 6               | ns typ<br>ns max             | $R_L = 300\ \Omega$ , $C_L = 35\text{ pF}$ ;<br>$V_S = 2\text{ V}$ , Test Circuit 4                           |
| Charge Injection                      | 1          |                 | 1          |                 | pC typ                       | $V_S = 1\text{ V}$ , $R_S = 0\ \Omega$ , $C_L = 1.0\text{ nF}$ ;<br>Test Circuit 5                            |
| Off Isolation                         | -75        |                 | -65        |                 | dB typ                       | $R_L = 50\ \Omega$ , $C_L = 5\text{ pF}$ , $f = 100\text{ MHz}$ ;<br>Test Circuit 6                           |
| -3 dB Bandwidth                       | 180        |                 | 280        |                 | MHz typ                      | $R_L = 50\ \Omega$ , $C_L = 5\text{ pF}$ , Test Circuit 7   |
| $C_S$ (OFF)                           | 4          |                 | 4          |                 | pF typ                       |   |
| $C_D$ (OFF)                           | 4          |                 | 4          |                 | pF typ                       |   |
| $C_D$ , $C_S$ (ON)                    | 26         |                 | 15         |                 | pF typ                       |   |
| POWER REQUIREMENTS                    |            |                 |            |                 |                              |   |
| $I_{DD}$                              | 0.001      |                 | 0.001      |                 | $\mu\text{A}$ typ            | $V_{DD} = +3.3\text{ V}$<br>Digital Inputs = 0 V or +3.3 V  |
|                                       | 0.1        | 0.5             | 0.1        | 0.5             | $\mu\text{A}$ max            |   |

## NOTES

<sup>1</sup>Guaranteed by design, not subject to production test.

Specifications subject to change without notice.

# ADG751

## ABSOLUTE MAXIMUM RATINGS<sup>1</sup>

(T<sub>A</sub> = +25°C unless otherwise noted)

|   |       |  |
|---|-------|--|
| V <sub>DD</sub> to GND                    | ..... | -0.3 V to +6 V   |
| Analog, Digital Inputs <sup>2</sup>       | ..... | -0.3 V to V <sub>DD</sub> +0.3 V or<br>30 mA, Whichever Occurs First |
| Peak Current, S or D                      | ..... | 100 mA<br>(Pulsed at 1 ms, 10% Duty Cycle Max)                       |
| Continuous Current, S or D                | ..... | 30 mA  |
| Operating Temperature Range               |       |  |
| Industrial (A, B Versions)                | ..... | -40°C to +85°C   |
| Storage Temperature Range                 | ..... | -65°C to +150°C  |
| Junction Temperature (T <sub>J</sub> Max) | ..... | +150°C   |
| Power Dissipation                         | ..... | (T <sub>J</sub> Max - T <sub>A</sub> ) / θ <sub>JA</sub>             |
| μSOIC Package                             |       |  |
| θ <sub>JA</sub> Thermal Impedance         | ..... | 206°C/W  |
| θ <sub>JC</sub> Thermal Impedance         | ..... | 44°C/W   |

## SOT-23 Package

|                                   |       |           |
|-----------------------------------|-------|-----------|
| θ <sub>JA</sub> Thermal Impedance | ..... | 229.6°C/W |
| θ <sub>JC</sub> Thermal Impedance | ..... | 91.99°C/W |
| Lead Temperature, Soldering       |       |           |
| Vapor Phase (60 sec)              | ..... | +215°C    |
| Infrared (15 sec)                 | ..... | +220°C    |

## NOTES

<sup>1</sup>Stresses above those listed under Absolute Maximum Ratings may cause permanent damage to the device. This is a stress rating only; functional operation of the device at these or any other conditions above those listed in the operational sections of this specification is not implied. Exposure to absolute maximum rating conditions for extended periods may affect device reliability. Only one absolute maximum rating may be applied at any one time.

<sup>2</sup>Overvoltages at IN, S or D will be clamped by internal diodes. Current should be limited to the maximum ratings given.

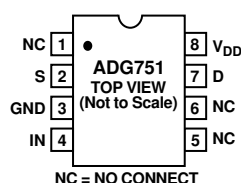
## CAUTION

ESD (electrostatic discharge) sensitive device. Electrostatic charges as high as 4000 V readily accumulate on the human body and test equipment and can discharge without detection. Although the ADG751 features proprietary ESD protection circuitry, permanent damage may occur on devices subjected to high energy electrostatic discharges. Therefore, proper ESD precautions are recommended to avoid performance degradation or loss of functionality.

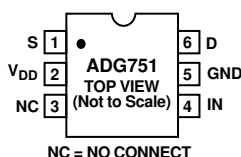


## PIN CONFIGURATIONS

### 8-Lead $\mu$ SOIC (RM-8)



### 6-Lead SOT-23 (RT-6)



## TERMINOLOGY

|                    |  |
|--------------------|--|
| $V_{DD}$           | Most positive power supply potential.  |
| GND                | Ground (0 V) reference.  |
| S                  | Source terminal. May be an input or output.  |
| D                  | Drain terminal. May be an input or output.   |
| IN                 | Logic control input.   |
| $R_{ON}$           | Ohmic resistance between D and S.  |
| $R_{FLAT(ON)}$     | Flatness is defined as the difference between the maximum and minimum value of on resistance as measured over the specified analog signal range. |
| $I_S$ (OFF)        | Source leakage current with the switch "OFF."  |
| $I_D$ (OFF)        | Drain leakage current with the switch "OFF."   |
| $I_D, I_S$ (ON)    | Channel leakage current with the switch "ON."  |
| $V_D$ ( $V_S$ )    | Analog voltage on terminals D and S.   |
| $C_S$ (OFF)        | "OFF" switch source capacitance.   |
| $C_D$ (OFF)        | "OFF" switch drain capacitance.  |
| $C_D, C_S$ (ON)    | "ON" switch capacitance.   |
| $t_{ON}$           | Delay between applying the digital control input and the output switching on. See Test Circuit 4.  |
| $t_{OFF}$          | Delay between applying the digital control input and the output switching off.   |
| Off Isolation      | A measure of unwanted signal coupling through an "OFF" switch.   |
| Charge Injection   | A measure of the glitch impulse transferred from the digital input to the analog output during switching.  |
| Bandwidth          | The frequency at which the output is attenuated by $-3$ dBs.   |
| On Response        | The frequency response of the "ON" switch.   |
| Insertion Loss     | Loss due to the ON resistance of the switch.   |
| $V_{INL}$          | Maximum input voltage for Logic "0."   |
| $V_{INH}$          | Minimum input voltage for Logic "1."   |
| $I_{INL}(I_{INH})$ | Input current of the digital input.  |
| $I_{DD}$           | Positive supply current.   |

**Table I. Truth Table**

| ADG751 IN | Switch Condition |
|-----------|------------------|
| 0         | ON               |
| 1         | OFF              |

# ADG751–Typical Performance Characteristics

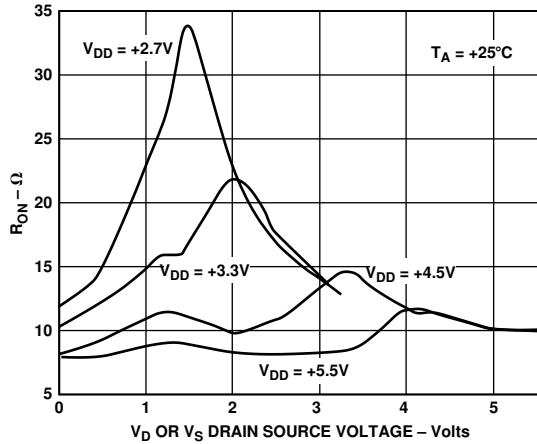


Figure 1. On Resistance as a Function of  $V_D$  ( $V_S$ ) Single Supplies (A Grade)

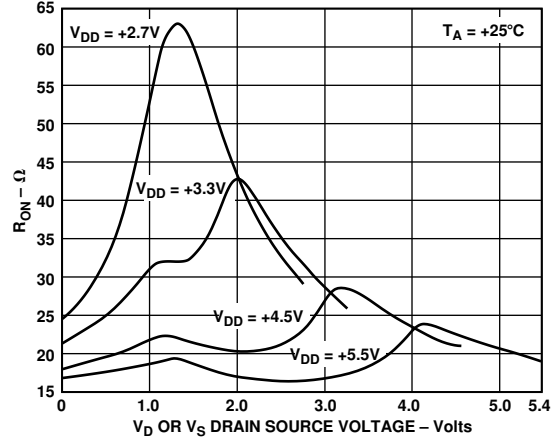


Figure 4. On Resistance as a Function of  $V_D$  ( $V_S$ ) Single Supplies (B Grade)

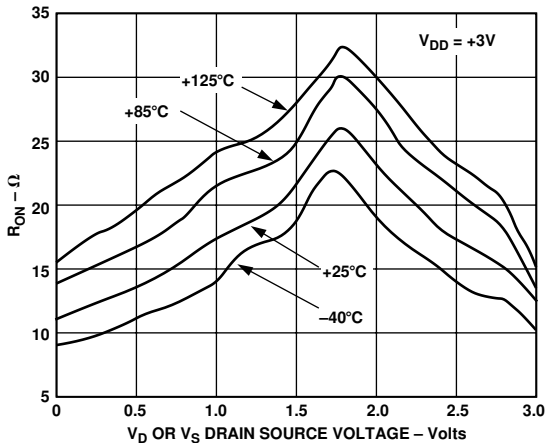


Figure 2. On Resistance as a Function of  $V_D$  ( $V_S$ ) for Different Temperatures  $V_{DD} = 3$  V (A Grade)

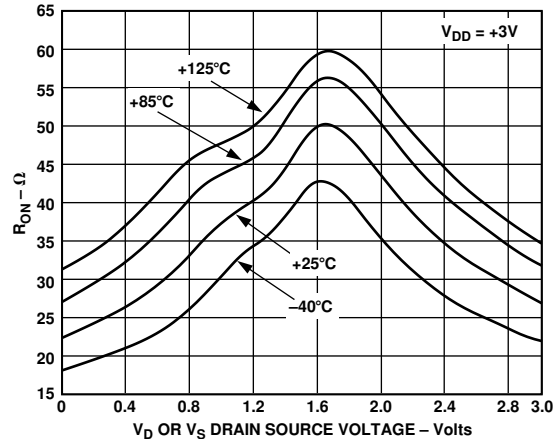


Figure 5. On Resistance as a Function of  $V_D$  ( $V_S$ ) for Different Temperatures  $V_{DD} = 3$  V (B Grade)

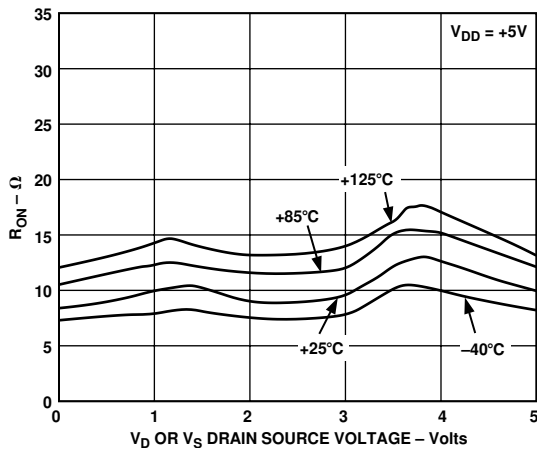


Figure 3. On Resistance as a Function of  $V_D$  ( $V_S$ ) for Different Temperatures  $V_{DD} = 5$  V (A Grade)

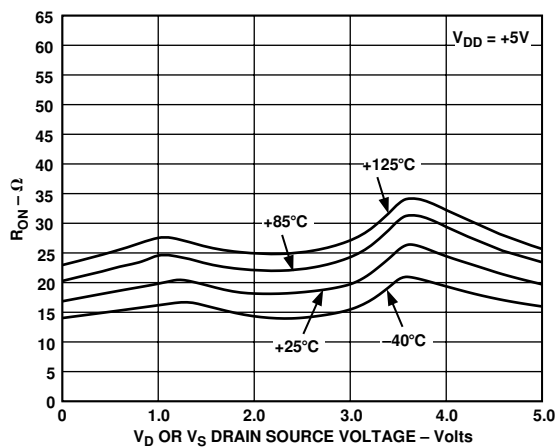


Figure 6. On Resistance as a Function of  $V_D$  ( $V_S$ ) for Different Temperatures  $V_{DD} = 5$  V (B Grade)



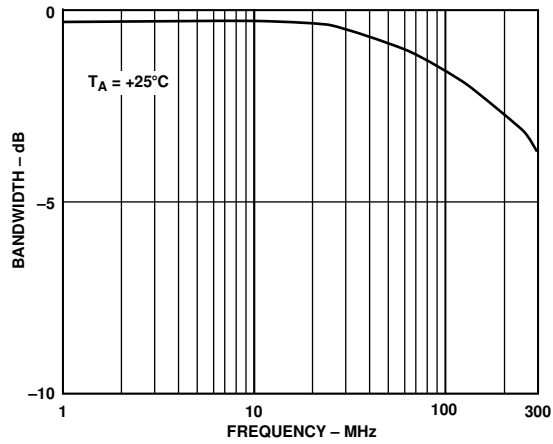


Figure 7. On Response vs. Frequency (A Grade)

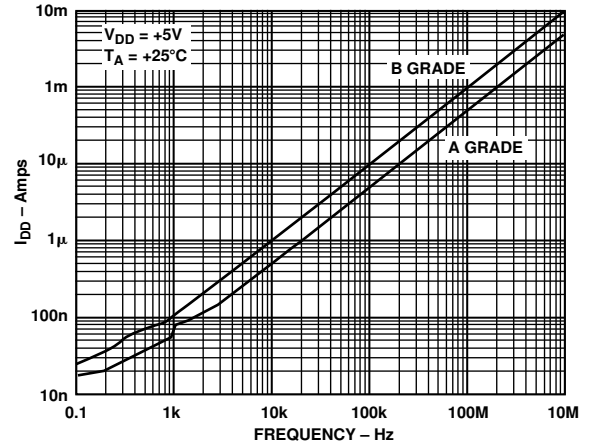


Figure 10. Supply Current vs. Input Switching Frequency

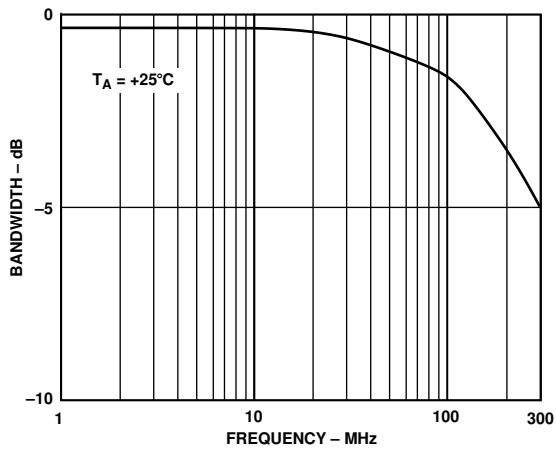


Figure 8. On Response vs. Frequency (B Grade)

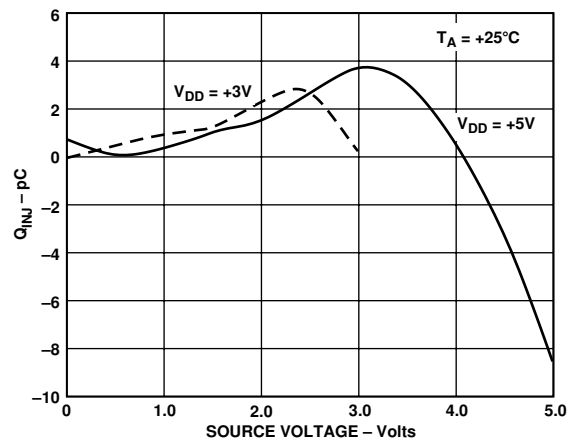


Figure 11. Charge Injection vs. Source/Drain Voltage

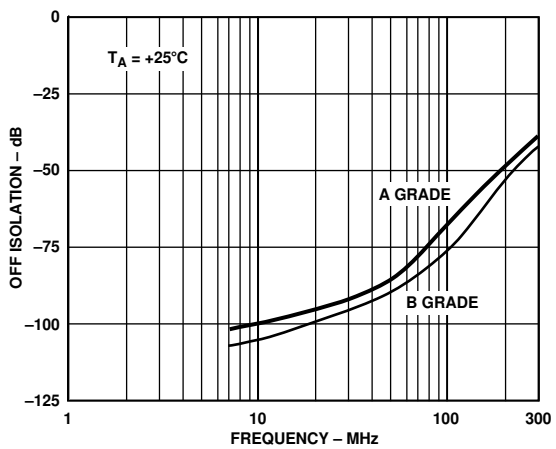


Figure 9. Off Isolation vs. Frequency for Both Grades

# ADG751

## GENERAL DESCRIPTION

The ADG751 is an SPST switch constructed using switches in a T configuration to obtain high “OFF” isolation while maintaining good frequency response in the “ON” condition.

Figure 12 shows the T-switch configuration. While the switch is in the OFF state, the shunt switch is closed and the two series switches are open. The closed shunt switch provides a signal path to ground for any of the unwanted signals that find their way through the off capacitances of the series’ MOS devices. This results in improved isolation between the input and output than with an ordinary series switch. When the switch is in the ON condition, the shunt switch is open and the signal path is through the two series switches which are now closed.

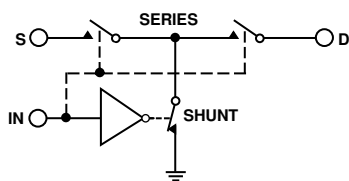


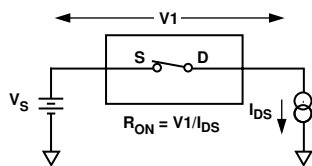
Figure 12. Basic T-Switch Configuration

## LAYOUT CONSIDERATIONS

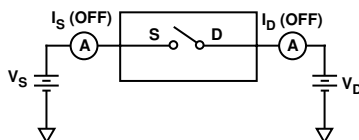
Where accurate high frequency operation is important, careful consideration should be given to the printed circuit board layout and to grounding. Wire wrap boards, prototype boards and sockets are not recommended because of their high parasitic inductance and capacitance. The part should be soldered directly to a printed circuit board. A ground plane should cover all unused areas of the component side of the board to provide a low impedance path to ground. Removing the ground planes from the area around the part reduces stray capacitance.

Good decoupling is important in achieving optimum performance.  $V_{DD}$  should be decoupled with a  $0.1 \mu\text{F}$  surface mount capacitor to ground mounted as close as possible to the device itself.

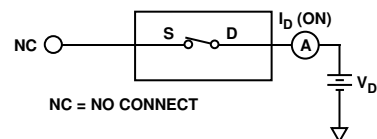
## Test Circuits



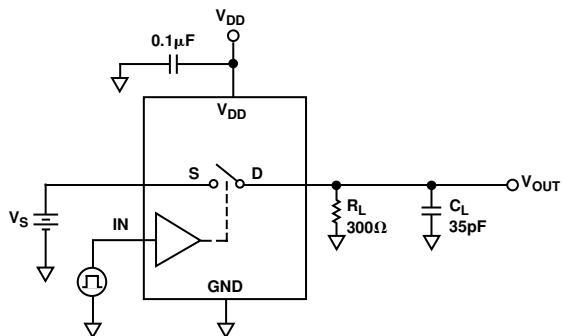
Test Circuit 1. On Resistance



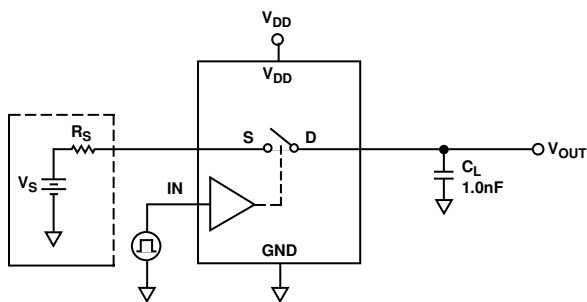
Test Circuit 2. Off Leakage



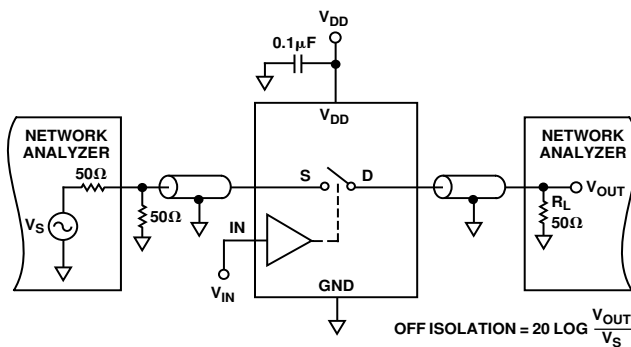
Test Circuit 3. On Leakage



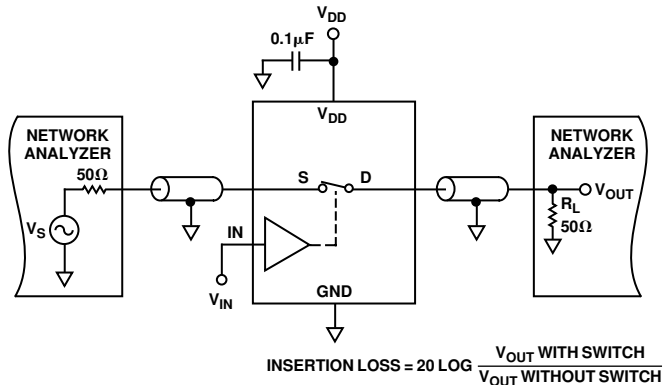
Test Circuit 4. Switching Times



Test Circuit 5. Charge Injection

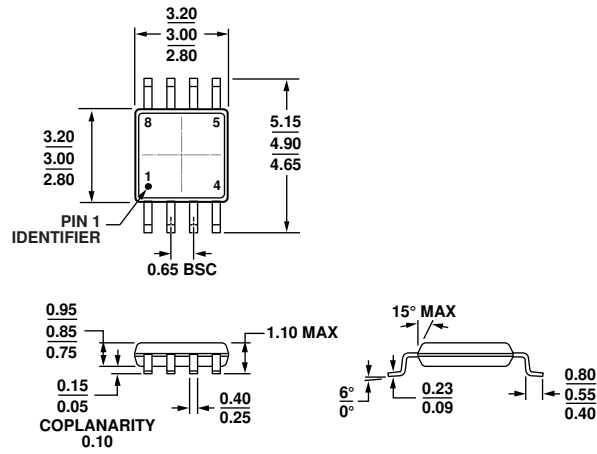


Test Circuit 6. Off Isolation



Test Circuit 7. Bandwidth

OUTLINE DIMENSIONS

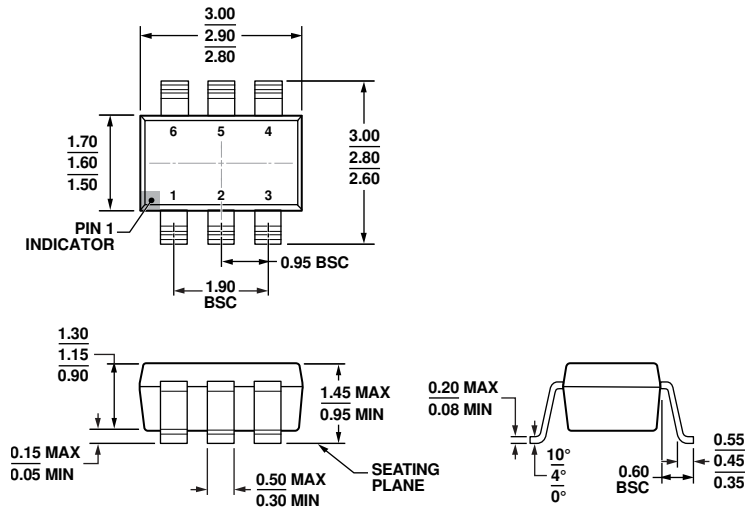


10-07-2008-B

COMPLIANT TO JEDEC STANDARDS MO-187-AA

Figure 12. 8-Lead Mini Small Outline Package [MSOP] (RM-8)

Dimensions shown in millimeters



12-16-2008-A

COMPLIANT TO JEDEC STANDARDS MO-178-AB

Figure 13. 6-Lead Small Outline Transistor Package [SOT-23] (RJ-6)

Dimensions shown in millimeters

**ORDERING GUIDE**

| Model <sup>1</sup> | Temperature Range | Brand <sup>2</sup> | Package Description                              | Package Option |
|--------------------|-------------------|--------------------|--|----------------|
| ADG751BRMZ-REEL    | -40°C to +85°C    | SDB                | 8-Lead Mini Small Outline Package [MSOP]         | RM-8           |
| ADG751BRT-REEL     | -40°C to +85°C    | SDB                | 6-Lead Small Outline Transistor Package [SOT-23] | RJ-6           |
| ADG751BRT-REEL7    | -40°C to +85°C    | SDB                | 6-Lead Small Outline Transistor Package [SOT-23] | RJ-6           |
| ADG751BRTZ-REEL7   | -40°C to +85°C    | SDB                | 6-Lead Small Outline Transistor Package [SOT-23] | RJ-6           |
| ADG751ARMZ         | -40°C to +85°C    | SDA                | 8-Lead Mini Small Outline Package [MSOP]         | RM-8           |
| ADG751ARMZ-REEL    | -40°C to +85°C    | SDA                | 8-Lead Mini Small Outline Package [MSOP]         | RM-8           |
| ADG751ART-REEL     | -40°C to +85°C    | SDA                | 6-Lead Small Outline Transistor Package [SOT-23] | RJ-6           |
| ADG751ART-REEL7    | -40°C to +85°C    | SDA                | 6-Lead Small Outline Transistor Package [SOT-23] | RJ-6           |
| ADG751ARTZ-REEL7   | -40°C to +85°C    | SDA                | 6-Lead Small Outline Transistor Package [SOT-23] | RJ-6           |

<sup>1</sup> Z = RoHS Compliant Part.

<sup>2</sup> Brand on these packages is limited to three characters due to space constraints.

**REVISION HISTORY****8/12—Rev. 0 to Rev. A**

|                                  |    |
|----------------------------------|----|
| Updated Outline Dimensions ..... | 10 |
| Changes to Ordering Guide .....  | 11 |

**4/99—Revision 0—Initial Version**