



Chipsmall Limited consists of a professional team with an average of over 10 year of expertise in the distribution of electronic components. Based in Hongkong, we have already established firm and mutual-benefit business relationships with customers from,Europe,America and south Asia,supplying obsolete and hard-to-find components to meet their specific needs.

With the principle of “Quality Parts,Customers Priority,Honest Operation,and Considerate Service”,our business mainly focus on the distribution of electronic components. Line cards we deal with include Microchip,ALPS,ROHM,Xilinx,Pulse,ON,Everlight and Freescale. Main products comprise IC,Modules,Potentiometer,IC Socket,Relay,Connector.Our parts cover such applications as commercial,industrial, and automotives areas.

We are looking forward to setting up business relationship with you and hope to provide you with the best service and solution. Let us make a better world for our industry!



Contact us

Tel: +86-755-8981 8866 Fax: +86-755-8427 6832

Email & Skype: info@chipsmall.com Web: www.chipsmall.com

Address: A1208, Overseas Decoration Building, #122 Zhenhua RD., Futian, Shenzhen, China





FEATURES

- Wideband switch: -3 dB @ 4 GHz
- ADG936 absorptive dual SPDT
- ADG936-R reflective dual SPDT
- High off isolation (36 dB @ 1 GHz)
- Low insertion loss (0.9 dB dc to 1 GHz)
- Single 1.65 V to 2.75 V power supply
- CMOS/LVTTL control logic
- 20-lead TSSOP and 4 mm × 4 mm LFCSP packages
- Low power consumption (1 μ A maximum)

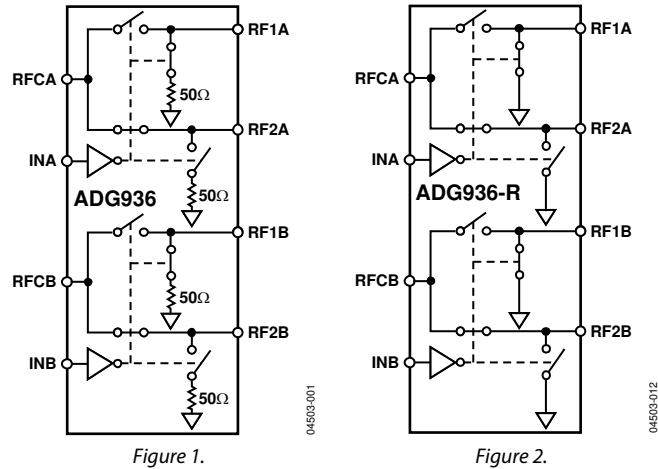
APPLICATIONS

- Wireless communications
- General-purpose RF switching
- Dual-band applications
- High speed filter selection
- Digital transceiver front end switch
- IF switching
- Tuner modules
- Antenna diversity switching

GENERAL DESCRIPTION

The ADG936/ADG936-R are wideband analog switches that comprise two independently selectable SPDT switches using a CMOS process to provide high isolation and low insertion loss to 1 GHz. The ADG936 is an absorptive/matched dual SPDT with 50 Ω terminated shunt legs; the ADG936-R is a reflective dual SPDT. These devices are designed such that the isolation is high over the dc to 1 GHz frequency range. They have on-board CMOS control logic, eliminating the need for external controlling circuitry. The control inputs are both CMOS and LVTTL

FUNCTIONAL BLOCK DIAGRAMS



compatible. The low power consumption of these CMOS devices makes them ideally suited for wireless applications and general-purpose high frequency switching.

PRODUCT HIGHLIGHTS

- -36 dB off isolation @ 1 GHz.
- 0.9 dB insertion loss @ 1 GHz.
- 20-lead TSSOP and 4 mm × 4 mm LFCSP packages.

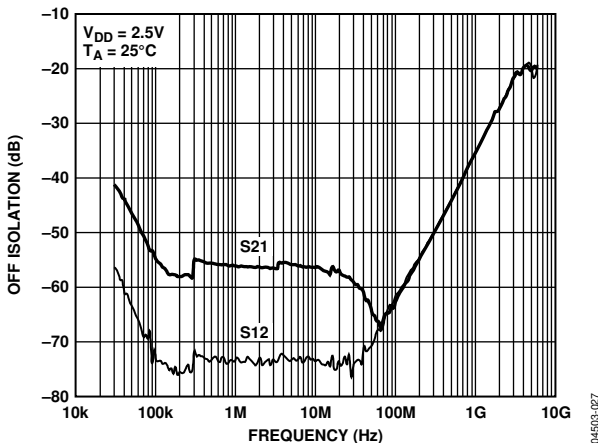


Figure 3. Off Isolation vs. Frequency

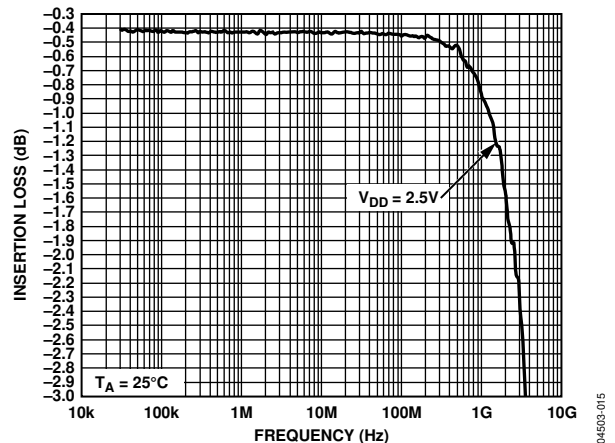


Figure 4. Insertion Loss vs. Frequency

Rev. B

Document Feedback

Information furnished by Analog Devices is believed to be accurate and reliable. However, no responsibility is assumed by Analog Devices for its use, nor for any infringements of patents or other rights of third parties that may result from its use. Specifications subject to change without notice. No license is granted by implication or otherwise under any patent or patent rights of Analog Devices. Trademarks and registered trademarks are the property of their respective owners.

TABLE OF CONTENTS

| | | | |
|--|---|---|----|
| Features | 1 | Typical Performance Characteristics | 7 |
| Applications..... | 1 | Test Circuits..... | 9 |
| Functional Block Diagrams..... | 1 | Applications..... | 11 |
| General Description | 1 | Absorptive vs. Reflective | 11 |
| Product Highlights | 1 | Filter Selection | 11 |
| Revision History | 2 | Tx/Rx Switching | 11 |
| Specifications..... | 3 | Antenna Diversity Switch..... | 11 |
| Absolute Maximum Ratings..... | 4 | Evaluation Board | 12 |
| ESD Caution..... | 4 | Outline Dimensions | 13 |
| Pin Configurations and Function Descriptions | 5 | Ordering Guide | 14 |
| Terminology | 6 | | |

REVISION HISTORY

4/13—Rev. A to Rev. B

| | |
|----------------------------------|-----------|
| Changed CP-20-1 to CP-20-6 | Universal |
| Added EPAD Note..... | 5 |
| Updated Outline Dimensions | 13 |
| Changes to Ordering Guide | 14 |

8/05—Rev. 0 to Rev. A

| | |
|---------------------------------|----|
| Changes to Table 1..... | 3 |
| Changes to Figure 6..... | 5 |
| Changes to Ordering Guide | 14 |

7/04—Revision 0: Initial Version

SPECIFICATIONS

$V_{DD} = 1.65\text{ V to }2.75\text{ V}$, $GND = 0\text{ V}$, input power = 0 dBm, all specifications T_{MIN} to T_{MAX} , unless otherwise noted.¹

Table 1.

| Parameter | Symbol | Conditions | Min | B Version | | Unit |
|--|--------------------|---|---------------|------------------|---------------|---------------|
| | | | | Typ ² | Max | |
| AC ELECTRICAL CHARACTERISTICS | | | | | | |
| Operating Frequency ³ | | | DC | | 2 | GHz |
| 3 dB Frequency ⁴ | | | | | 4 | GHz |
| Input Power ⁴ | | 0 V dc bias | | | 7 | dBm |
| | | 0.5 V dc bias | | | 16 | dBm |
| Insertion Loss | S_{21}, S_{12} | DC to 100 MHz; $V_{DD} = 2.5\text{ V} \pm 10\%$ | | 0.4 | 0.5 | dB |
| | | 500 MHz; $V_{DD} = 2.5\text{ V} \pm 10\%$ | | 0.6 | 0.8 | dB |
| | | 1000 MHz; $V_{DD} = 2.5\text{ V} \pm 10\%$ | | 0.9 | 1.25 | dB |
| Isolation—RFCx to RF1x/RF2x | S_{21}, S_{12} | 100 MHz | 52 | 60 | | dB |
| | | 500 MHz | 40 | 47 | | dB |
| | | 1000 MHz | 31 | 36 | | dB |
| Crosstalk—RF1x to RF2x | S_{21}, S_{12} | 100 MHz | 53 | 69 | | dB |
| | | 500 MHz | 42 | 45 | | dB |
| | | 1000 MHz | 34 | 37 | | dB |
| Return Loss (On Channel) ⁴ | S_{11}, S_{22} | DC to 100 MHz | 20 | 25 | | dB |
| | | 500 MHz | 19 | 23 | | dB |
| | | 1000 MHz | 16 | 24 | | dB |
| Return Loss (Off Channel) ⁴ | S_{11}, S_{22} | DC to 100 MHz | 18 | 24 | | dB |
| | | 500 MHz | 17 | 23 | | dB |
| | | 1000 MHz | 16 | 21 | | dB |
| On Switching Time ⁴ | t_{ON} | 50% CTRL to 90% RF | | 11 | 14 | ns |
| Off Switching Time ⁴ | t_{OFF} | 50% CTRL to 10% RF | | 10 | 13 | ns |
| Rise Time ⁴ | t_{RISE} | 10% to 90% RF | | 6.1 | 8 | ns |
| Fall Time ⁴ | t_{FALL} | 90% to 10% RF | | 6 | 8 | ns |
| 1 dB Compression ⁴ | $P_{-1\text{ dB}}$ | 1000 MHz | | 16 | | dBm |
| Third-Order Intermodulation Intercept | IP_3 | 900 MHz/901 MHz, 4 dBm | 27.5 | 32 | | dBm |
| Video Feedthrough ⁵ | | | | 3 | | mV p-p |
| DC ELECTRICAL CHARACTERISTICS | | | | | | |
| Input High Voltage | V_{INH} | $V_{DD} = 2.25\text{ V to }2.75\text{ V}$ | 1.7 | | | V |
| | V_{INH} | $V_{DD} = 1.65\text{ V to }1.95\text{ V}$ | $0.65 V_{CC}$ | | | V |
| Input Low Voltage | V_{INL} | $V_{DD} = 2.25\text{ V to }2.75\text{ V}$ | | | 0.7 | V |
| | V_{INL} | $V_{DD} = 1.65\text{ V to }1.95\text{ V}$ | | | $0.35 V_{CC}$ | V |
| Input Leakage Current | I_I | $0 \leq V_{IN} \leq 2.75\text{ V}$ | | ± 0.1 | ± 1 | μA |
| CAPACITANCE⁴ | | | | | | |
| RF Port On Capacitance | $C_{RF\text{ ON}}$ | $f = 1\text{ MHz}$ | | 2.5 | | pF |
| Digital Input Capacitance | C_{DIG} | $f = 1\text{ MHz}$ | | 2 | | pF |
| POWER REQUIREMENTS | | | | | | |
| V_{DD} | | | 1.65 | | 2.75 | V |
| Quiescent Power Supply Current | I_{DD} | Digital inputs = 0 V or V_{DD} | | 0.1 | 1 | μA |

¹ Temperature range of B Version: -40°C to $+85^\circ\text{C}$.

² Typical values are at $V_{DD} = 2.5\text{ V}$ and 25°C , unless otherwise noted.

³ Operating frequency is the point at which insertion loss degrades by 1 dB.

⁴ Guaranteed by design, not subject to production test.

⁵ Video feedthrough is the dc transience at the output of any port of the switch when the control voltage is switched from high to low or from low to high in a $50\ \Omega$ setup, measured with 1 ns rise time pulses and a 500 MHz bandwidth.

ABSOLUTE MAXIMUM RATINGS

$T_A = 25^\circ\text{C}$, unless otherwise noted.

Table 2.

| Parameter | Rating |
|---|-------------------------------------|
| V_{DD} to GND | -0.5 V to +4 V |
| Inputs to GND | -0.5 V to $V_{DD} + 0.3\text{ V}^1$ |
| Continuous Current | 30 mA |
| Input Power | 18 dBm |
| Operating Temperature Range | |
| Industrial (B Version) | -40°C to +85°C |
| Storage Temperature Range | -65°C to +150°C |
| Junction Temperature | 150°C |
| TSSOP Package | |
| θ_{JA} Thermal Impedance | 143°C/W |
| LFCSP Package | |
| θ_{JA} Thermal Impedance (4-Layer Board) | 30.4°C/W |
| Lead Temperature, Soldering (10 sec) | 300°C |
| IR Reflow, Peak Temperature (<20 sec) | 235°C |
| ESD | 1 kV |

Stresses above those listed under Absolute Maximum Ratings may cause permanent damage to the device. This is a stress rating only; functional operation of the device at these or any other conditions above those indicated in the operational section of this specification is not implied. Exposure to absolute maximum rating conditions for extended periods may affect device reliability.

Only one absolute maximum rating may be applied at any one time.

Table 3. Truth Table

| INx | RF1x | RF2x |
|-----|------|------|
| 0 | Off | On |
| 1 | On | Off |

¹ RF1x/RF2x off port inputs to ground = -0.5 V to $V_{DD} - 0.5\text{ V}$.

ESD CAUTION

ESD (electrostatic discharge) sensitive device. Electrostatic charges as high as 4000 V readily accumulate on the human body and test equipment and can discharge without detection. Although this product features proprietary ESD protection circuitry, permanent damage may occur on devices subjected to high energy electrostatic discharges. Therefore, proper ESD precautions are recommended to avoid performance degradation or loss of functionality.



PIN CONFIGURATIONS AND FUNCTION DESCRIPTIONS

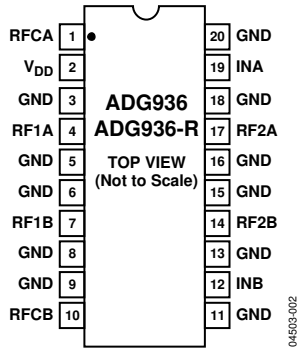
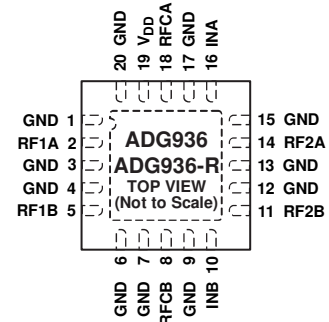


Figure 5. 20-Lead TSSOP (RU-20)



NOTES
1. EXPOSED PAD TIED TO SUBSTRATE, GND.

Figure 6. 20-Lead 4 mm x 4 mm LFCSP (CP-20-1)

Table 4. Pin Function Descriptions

| Pin No. | | Mnemonic | Description |
|---------------------------------------|--------------------------------------|-----------------|--|
| 20-Lead TSSOP | 20-Lead LFCSP | | |
| 1 | 18 | RFCA | Common RF Port for Switch A. |
| 2 | 19 | V _{DD} | Power Supply Input. These parts can operate from 1.65 V to 2.75 V. V _{DD} should be decoupled to GND. |
| 3, 5, 6, 8, 9, 11, 13, 15, 16, 18, 20 | 1, 3, 4, 6, 7, 9, 12, 13, 15, 17, 20 | GND | Ground Reference Point for All Circuitry on the Part. |
| 4 | 2 | RF1A | RF1A Port. |
| 7 | 5 | RF1B | RF1B Port. |
| 10 | 8 | RFCB | Common RF Port for Switch B. |
| 12 | 10 | INB | Logic Control Input. |
| 14 | 11 | RF2B | RF2B Port. |
| 17 | 14 | RF2A | RF2A Port. |
| 19 | 16 | INA | Logic Control Input. |
| | EP | EP | Exposed Pad. The exposed pad must be tied to substrate, GND. |

TERMINOLOGY

Table 5.

| Parameter | Description |
|--------------------------------------|--|
| V _{DD} | Most Positive Power Supply Potential. |
| I _{DD} | Positive Supply Current. |
| GND | Ground (0 V) Reference. |
| IN _X | Logic Control Input. |
| V _{INL} | Maximum Input Voltage for Logic 0. |
| V _{INH} | Minimum Input Voltage for Logic 1. |
| I _{INL} (I _{INH}) | Input Current of the Digital Input. |
| C _{IN} | Digital Input Capacitance. |
| t _{ON} | Delay Between Applying the Digital Control Input and the Output Switching On. |
| t _{OFF} | Delay Between Applying the Digital Control Input and the Output Switching Off. |
| t _{RISE} | Rise Time. Time for the RF signal to rise from 10% of the on level to 90% of the on level. |
| t _{FALL} | Fall Time. Time for the RF signal to fall from 90% of the on level to 10% of the on level. |
| Off Isolation | The Attenuation Between Input and Output Ports of the Switch When the Switch Control Voltage Is in the Off Condition. |
| Insertion Loss | The Attenuation Between Input and Output Ports of the Switch When the Switch Control Voltage Is in the On Condition. |
| Crosstalk | Measure of Unwanted Signal Coupled Through from One Channel to Another as a Result of Parasitic Capacitance. |
| P _{-1 dB} | 1 dB Compression Point. The RF input power level at which the switch insertion loss increases by 1 dB over its low level value. P _{-1 dB} is a measure of how much power the on switch can handle before the insertion loss increases by 1 dB. |
| IP ₃ | Third-Order Intermodulation Intercept. This is a measure of the power in false tones that occurs when closely spaced tones are passed through a switch, whereby the nonlinearity of the switch causes these false tones to be generated. |
| Return Loss | The Amount of Reflected Power Relative to the Incident Power at a Port. Large return loss indicates good matching. By measuring return loss, the voltage standing wave ratio (VSWR) can be calculated from conversion charts. VSWR indicates the degree of matching present at a switch RF port. |
| Video Feedthrough | Spurious Signals Present at the RF Ports of the Switch When the Control Voltage Is Switched from High to Low or from Low to High Without an RF Signal Present. |

TYPICAL PERFORMANCE CHARACTERISTICS

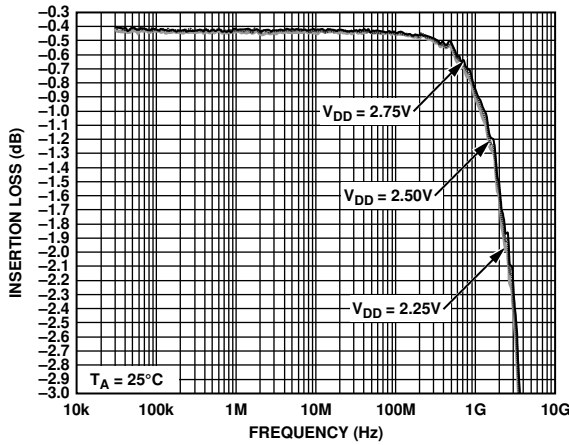


Figure 7. Insertion Loss vs. Frequency over Supplies (S12 and S21)

04503-015

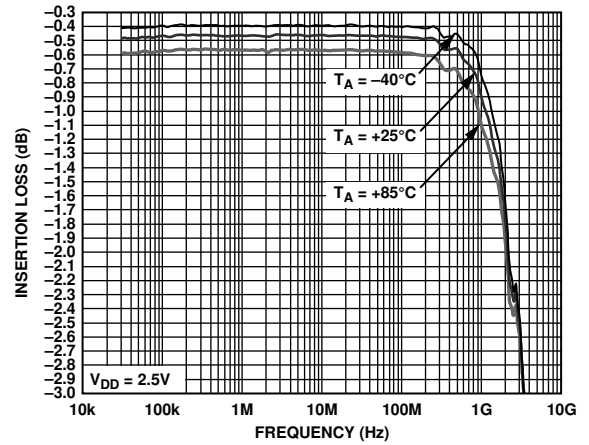


Figure 10. Insertion Loss vs. Frequency over Temperature (S12 and S21)

04503-018

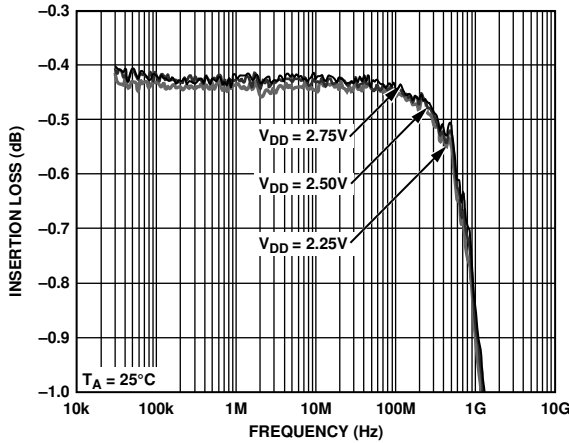


Figure 8. Insertion Loss vs. Frequency over Supplies (S12 and S21) (Zoomed Figure 7)

04503-016

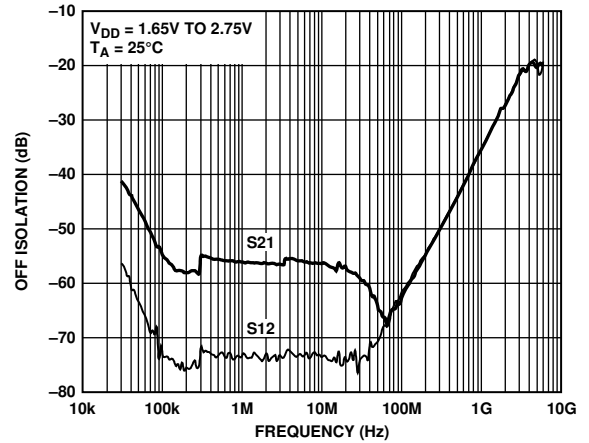


Figure 11. Isolation vs. Frequency over Supplies

04503-019

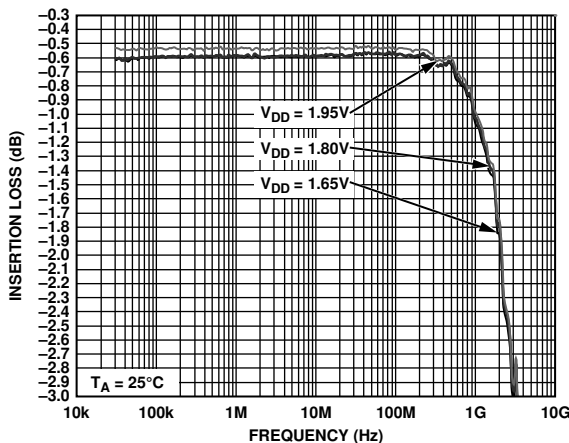


Figure 9. Insertion Loss vs. Frequency over Supplies (S12 and S21)

04503-017

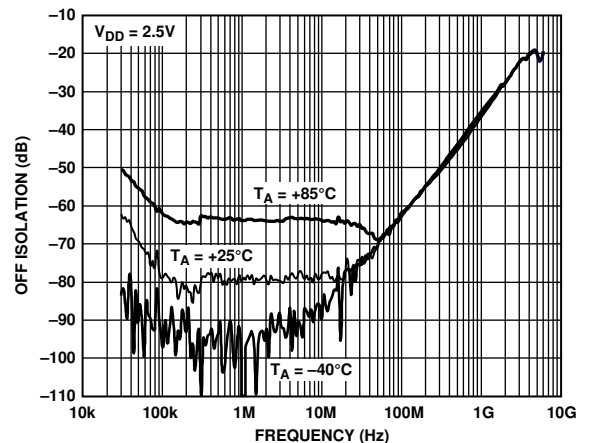


Figure 12. Isolation vs. Frequency over Temperature

04503-020

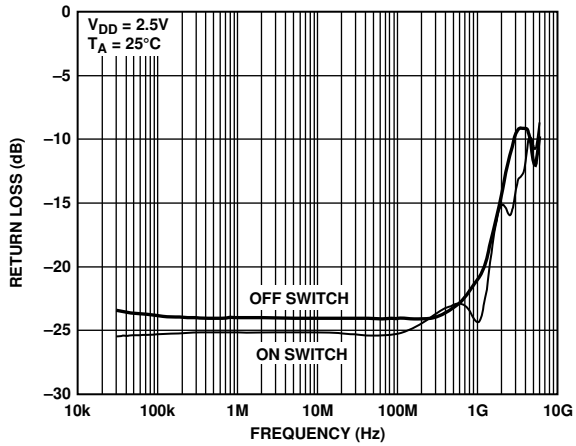


Figure 13. Return Loss vs. Frequency (S11)

04503-021

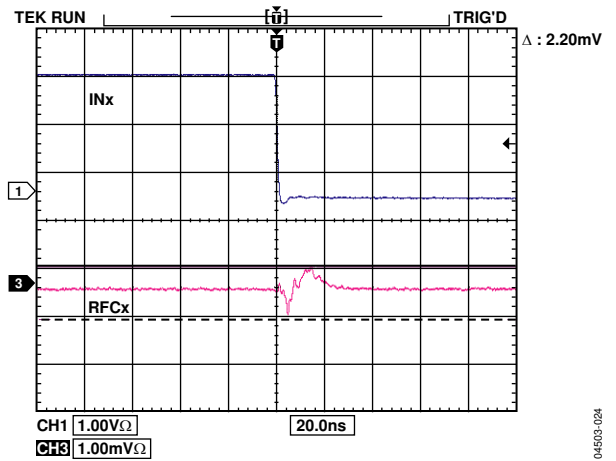


Figure 16. Video Feedthrough

04503-024

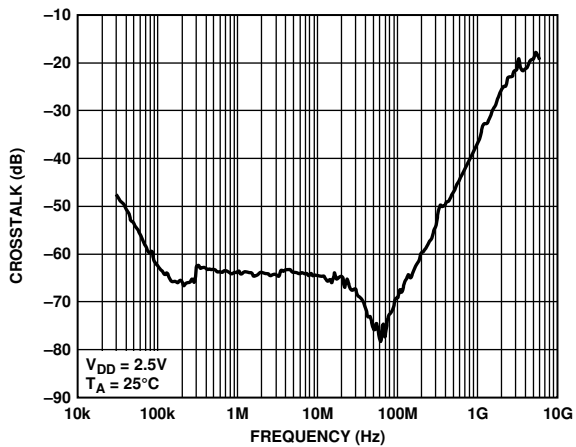


Figure 14. Crosstalk vs. Frequency (S12 and S21)

04503-022

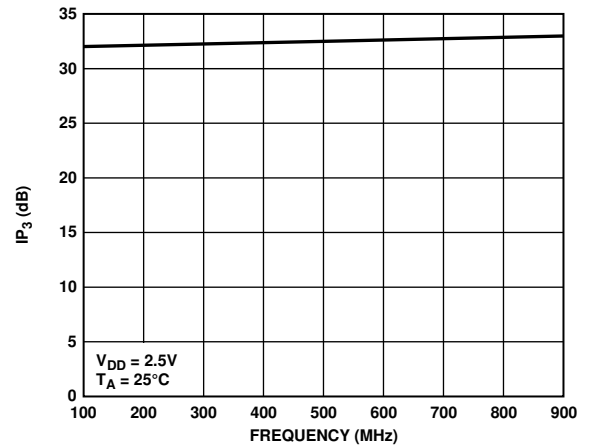


Figure 17. IP₃ vs. Frequency

04503-028

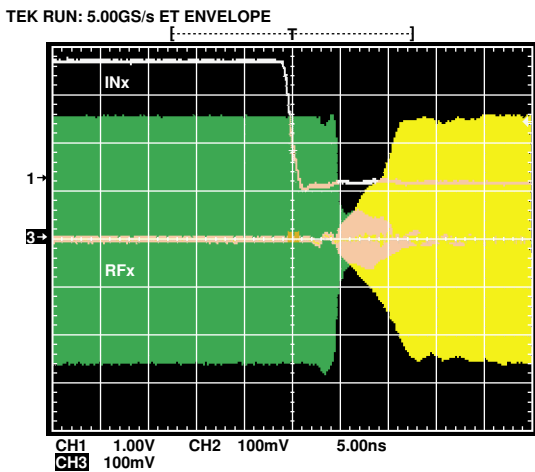


Figure 15. Switch Timing

04503-023

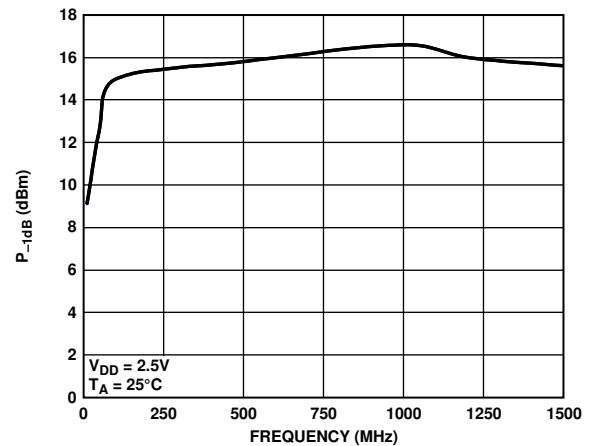


Figure 18. P_{-1dB} vs. Frequency

04503-025

TEST CIRCUITS

Similar setup for the ADG936. Additional pins omitted for clarity.

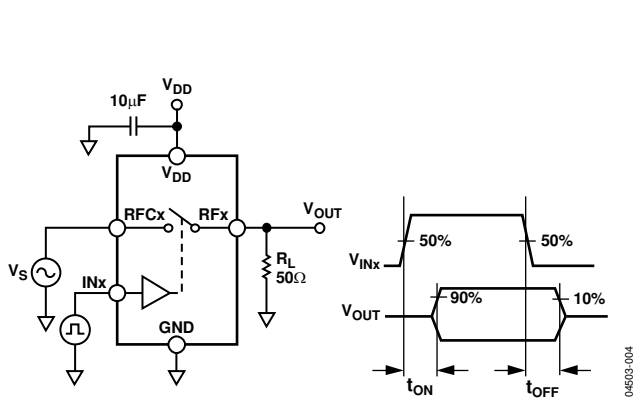


Figure 19. Switch Timing: t_{ON} , t_{OFF}

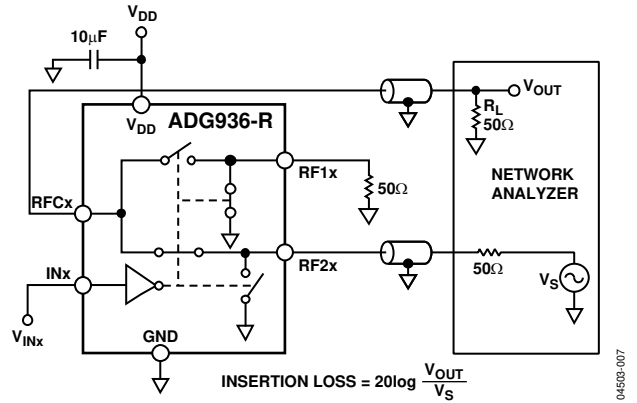


Figure 22. Insertion Loss

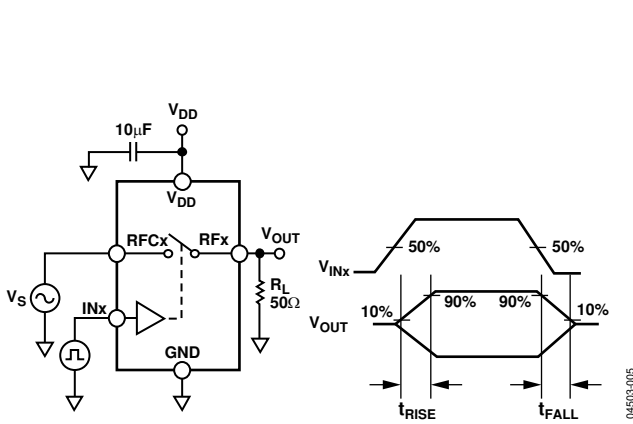


Figure 20. Switch Timing: t_{RISE} , t_{FALL}

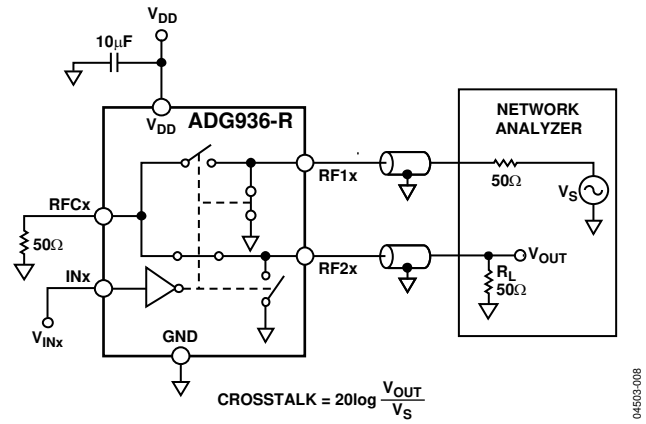


Figure 23. Crosstalk

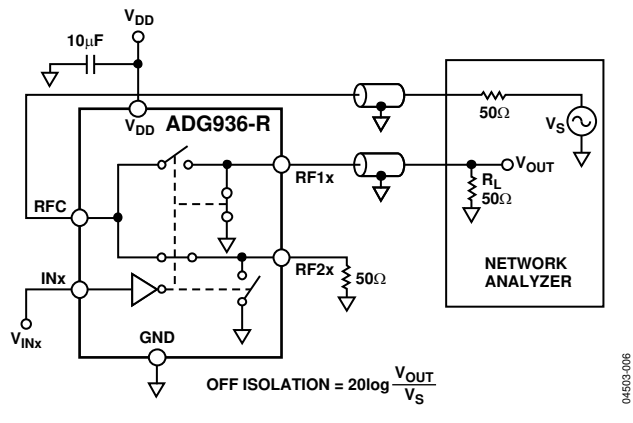


Figure 21. Off Isolation

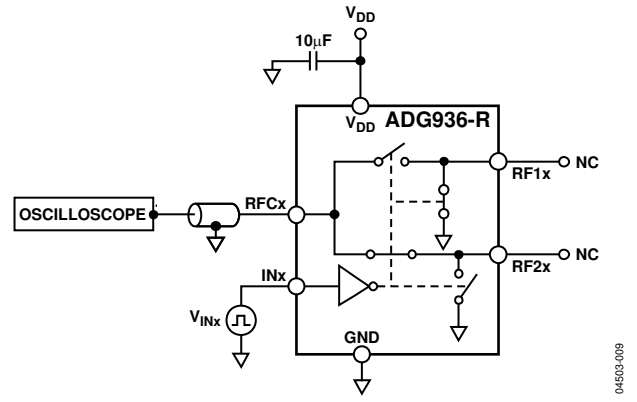
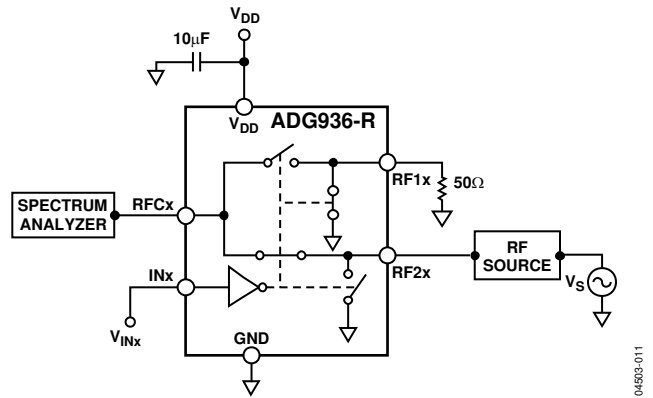
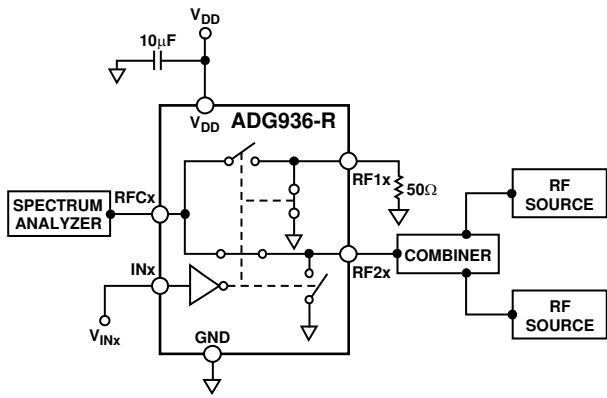


Figure 24. Video Feedthrough



APPLICATIONS

The ADG936/ADG936-R are ideal solutions for low power, high frequency applications. The low insertion loss, high isolation between ports, low distortion, and low current consumption of these parts make them excellent solutions for many high frequency switching applications. They can be used in applications such as switchable filters, transmitters and receivers for radar systems, and communication systems from base stations to cell phones.

The ADG9xx family of wideband switches is designed to meet the demands of devices transmitting at ISM band frequencies to 1 GHz and higher. The low insertion loss, high isolation between ports, single pin control interface, no requirement for dc blocking capacitors, and TTL interface compatibility make them cost-effective and easy-to-integrate switching solutions for many high frequency switching and low power applications, because the parts can handle up to 16 dBm of power.

ABSORPTIVE VS. REFLECTIVE

The ADG936 is an absorptive (matched) switch with 50 Ω terminated shunt legs; the ADG936-R is a reflective switch with 0 Ω terminated shunts to ground. The ADG936 absorptive switch has a good VSWR on each port, regardless of the switch mode. An absorptive switch should be used when there is a need for a good VSWR that is looking into the port but not passing the through-signal to the common port. The ADG936 is, therefore, ideal for applications that require minimum reflections back to the RF source. It also ensures that the maximum power is transferred to the load.

The ADG936-R reflective switch is suitable for applications in which high off-port VSWR does not matter. The switch also has some other desired performance features. It can be used in many applications, including high speed filter selection. In most cases, an absorptive switch can be used instead of a reflective switch, but not vice versa.

FILTER SELECTION

The ADG936 and ADG936-R can be used to switch high frequency signals between different filters and to multiplex the signal to the output. These dual SPDT switches are also ideal for high speed signal routing and for switching high speed differential signals.

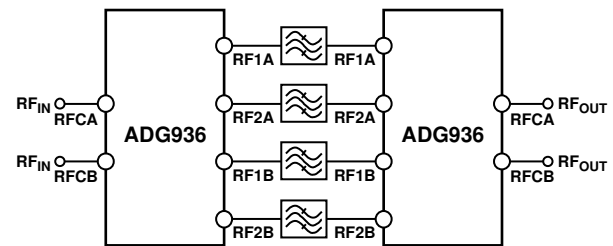


Figure 27. Filter Selection

04593-013

Tx/Rx SWITCHING

The low insertion loss and high isolation between ports ensure that the ADG936/ADG936-R are suitable transmit/receive switches for all ISM band and wireless LAN applications, providing the required isolation between the transmit and receive signals.

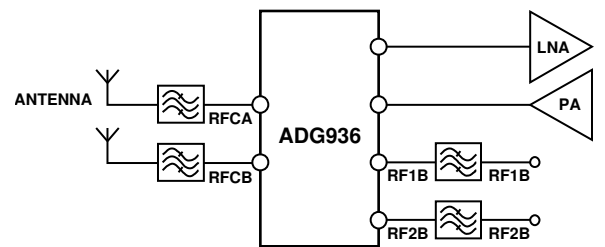


Figure 28. Tx/Rx Switching

04594-014

ANTENNA DIVERSITY SWITCH

The ADG936/ADG936-R are ideal for use as antenna diversity switches, switching in different antennas to the tuner. The low insertion loss, which ensures minimum signal loss and high isolation between channels, makes these dual SPDT switches suitable for switching applications in tuner modules and set-top boxes.

EVALUATION BOARD

The ADG936 and ADG936-R evaluation board allows designers to evaluate these high performance wideband switches with minimal effort.

To prove that these devices meet the user’s requirements, only a power supply and a network analyzer, along with the evaluation board, are required. An application note available with the evaluation board gives complete information on operating the evaluation board.

The RFCA port is connected through a 50 Ω transmission line to SMA Connector J3. The RFCB port is connected through a 50 Ω transmission line to SMA Connector J4. RF1A, RF2A, RF1B, and RF2B are connected through 50 Ω transmission lines to SMA Connectors J5, J6, J7, and J8, respectively. A through transmission line connects J9 and J10; this transmission line is used to estimate the loss of the PCB over the environmental conditions being evaluated.

The board is constructed of a 4-layer FR4 material with a dielectric constant of 4.3 and an overall thickness of 0.062 in. Two ground layers with grounded planes provide ground for the RF transmission lines. The transmission lines were designed using a coplanar waveguide with a ground plane model using a trace width of 0.024 in, a clearance to ground plane of 0.008 in, a dielectric thickness of 0.02 in, and a metal thickness of 0.0021 in.

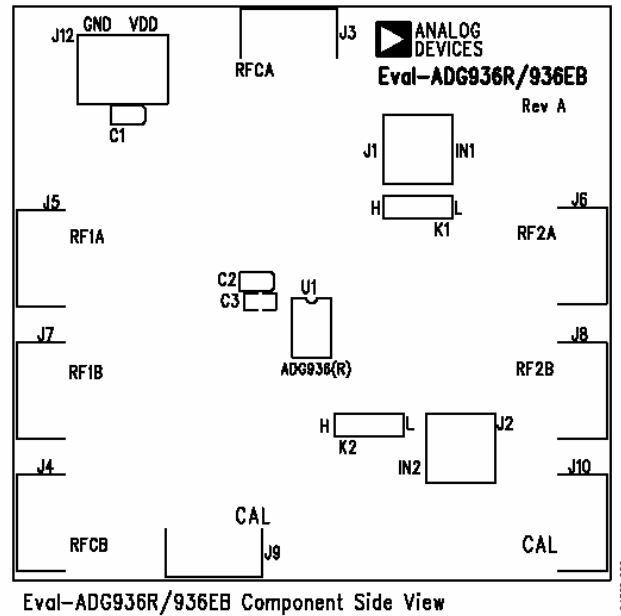
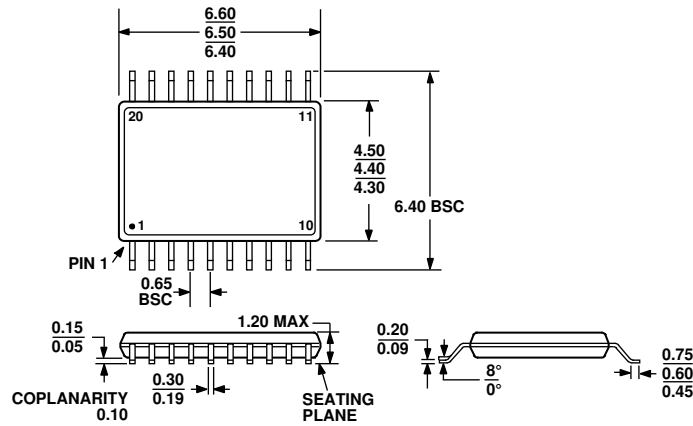


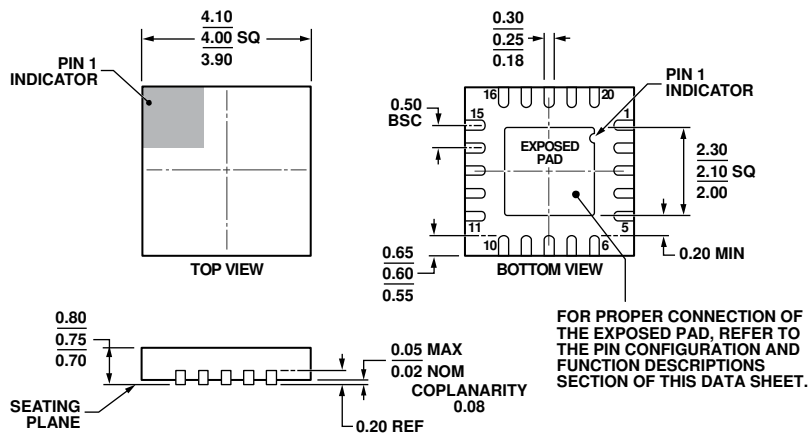
Figure 29. ADG936 and ADG936-R Evaluation Board Top View

OUTLINE DIMENSIONS



COMPLIANT TO JEDEC STANDARDS MO-153-AC

Figure 30. 20-Lead Thin Shrink Small Outline Package [TSSOP]
(RU-20)
Dimensions shown in millimeters



COMPLIANT TO JEDEC STANDARDS MO-220-WGGD-1.

Figure 31. 20-Lead Lead Frame Chip Scale Package [LFCSP_WQ]
4 mm x 4 mm Body, Very Very Thin Quad
(CP-20-6)
Dimensions shown in millimeters

08-16-2010-B

ORDERING GUIDE

| Model ¹ | Temperature Range | Package Description | Package Option ² |
|--------------------|-------------------|---|-----------------------------|
| ADG936BRU | -40°C to +85°C | 20-Lead Thin Shrink Small Outline Package (TSSOP) | RU-20 |
| ADG936BRU-500RL7 | -40°C to +85°C | 20-Lead Thin Shrink Small Outline Package (TSSOP) | RU-20 |
| ADG936BRUZ | -40°C to +85°C | 20-Lead Thin Shrink Small Outline Package (TSSOP) | RU-20 |
| ADG936BRUZ-REEL | -40°C to +85°C | 20-Lead Thin Shrink Small Outline Package (TSSOP) | RU-20 |
| ADG936BRUZ-REEL7 | -40°C to +85°C | 20-Lead Thin Shrink Small Outline Package (TSSOP) | RU-20 |
| ADG936BCPZ | -40°C to +85°C | 20-Lead Lead Frame Chip Scale Package (LFCSP_WQ) | CP-20-6 |
| ADG936BCPZ-RL | -40°C to +85°C | 20-Lead Lead Frame Chip Scale Package (LFCSP_WQ) | CP-20-6 |
| ADG936BCPZ-RL7 | -40°C to +85°C | 20-Lead Lead Frame Chip Scale Package (LFCSP_WQ) | CP-20-6 |
| EVAL-ADG936EBZ | | Evaluation Board | RU-20 |
| ADG936BRU-R | -40°C to +85°C | 20-Lead Thin Shrink Small Outline Package (TSSOP) | RU-20 |
| ADG936BRU-R-500RL7 | -40°C to +85°C | 20-Lead Thin Shrink Small Outline Package (TSSOP) | RU-20 |
| ADG936BRU-R-REEL | -40°C to +85°C | 20-Lead Thin Shrink Small Outline Package (TSSOP) | RU-20 |
| ADG936BRU-R-REEL7 | -40°C to +85°C | 20-Lead Thin Shrink Small Outline Package (TSSOP) | RU-20 |
| ADG936BRUZ-R | -40°C to +85°C | 20-Lead Thin Shrink Small Outline Package (TSSOP) | RU-20 |
| ADG936BCPZ-R | -40°C to +85°C | 20-Lead Lead Frame Chip Scale Package (LFCSP_WQ) | CP-20-6 |
| ADG936BCPZ-R-REEL | -40°C to +85°C | 20-Lead Lead Frame Chip Scale Package (LFCSP_WQ) | CP-20-6 |
| EVAL-ADG936REBZ | | Evaluation Board | RU-20 |

¹ Z = RoHS Compliant Part.

² CP-20-6 package was formerly CP-20-1 package

NOTES

NOTES