



Chipsmall Limited consists of a professional team with an average of over 10 year of expertise in the distribution of electronic components. Based in Hongkong, we have already established firm and mutual-benefit business relationships with customers from,Europe,America and south Asia,supplying obsolete and hard-to-find components to meet their specific needs.

With the principle of “Quality Parts,Customers Priority,Honest Operation,and Considerate Service”,our business mainly focus on the distribution of electronic components. Line cards we deal with include Microchip,ALPS,ROHM,Xilinx,Pulse,ON,Everlight and Freescale. Main products comprise IC,Modules,Potentiometer,IC Socket,Relay,Connector.Our parts cover such applications as commercial,industrial, and automotives areas.

We are looking forward to setting up business relationship with you and hope to provide you with the best service and solution. Let us make a better world for our industry!



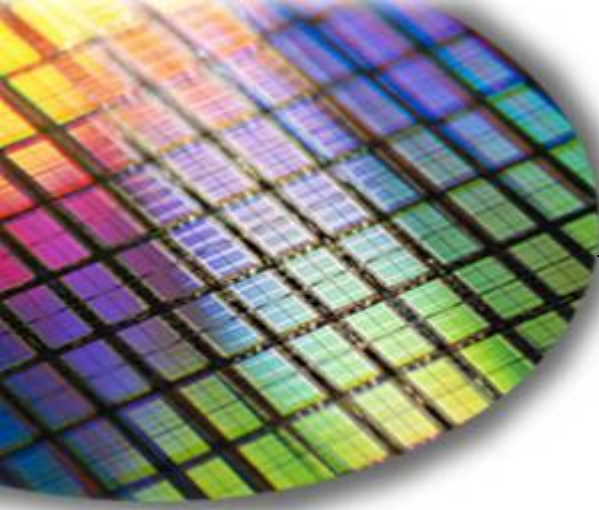
Contact us

Tel: +86-755-8981 8866 Fax: +86-755-8427 6832

Email & Skype: info@chipsmall.com Web: www.chipsmall.com

Address: A1208, Overseas Decoration Building, #122 Zhenhua RD., Futian, Shenzhen, China





The World Leader in High Performance Signal Processing Solutions



iSensor®

Getting Started with the ADIS1622x Evaluation Tools



Mark Looney
iSensor Applications Engineer
December 2010





iSensor[®] *The Simple Solution for Sensor Integration*

Table of Contents, ADIS1622x Evaluation Tools

| TITLE/TOPIC | PAGE |
|--|-------------|
| Hardware: ADIS1622x/PCBZ, ADISUSBZ | 3 |
| ADIS16220/PCBZ Documentation | 4 |
| ADIS16220/PCBZ Physical Installation on an ADISUSBZ | 5 |
| ADIS16223/PCBZ, ADIS16227/PCBZ: Schematic & Mounting Hole Pattern | 6 |
| ADIS16223/PCBZ, ADIS16227/PCBZ: Physical Installation on an ADISUSBZ | 7 |
| ADIS16223/PCBZ, ADIS16227/PCBZ: Ribbon Mating Cable Design | 8 |
| Remote Mounting Option | 9 |
| ADIS16220 Evaluation Software Installation | 10 |
| ADISUSBZ USB Driver Installation | 15 |
| ADIS16220, ADIS16223 Evaluation Software | 16 |
| Manual Trigger Mode | 16 |
| Automatic Trigger Mode | 17 |
| Event Trigger Mode | 18 |
| Filter Case Study | 22 |
| ADIS16227 Evaluation Software, Basic Setup | 25 |
| ADIS16227 Evaluation Software, Basic Demo | 26 |
| ADIS16227 Evaluation Software, Spectral Alarm Demo | 27 |



iSensor® *The Simple Solution for Sensor Integration* Evaluation Tool Options

The iSensor evaluation tools are designed for two purposes:

1. Enable fast connection to SPI-compatible processor systems.
2. Provide simple PC-based tools to demonstrate basic device functions.

ADIS16220/PCBZ, Interface board

1. Provides ADIS16220CCCZ on a small PCB with 2mm connectors.
2. Eliminates the need to solder the LGA package in a prototype process.
3. Connects directly to the PC-USB evaluation system, ADISUSBZ

ADIS16223/PCBZ, ADIS16227/PCBZ Interface boards

1. Provides ADIS16223CMLZ on a small PCB with a 2mm connector.
2. Eliminates the need to develop a prototype board with the mating connector.
3. Connects directly to the PC-USB evaluation system, ADISUSBZ

ADISUSBZ, PC-USB Evaluation System

1. Complete system for demonstrating device function.
2. Saves capture buffer data to Excel-friendly file formats.

ADIS16220/PCBZ



**ADIS16223/PCBZ
ADIS16227/PCBZ**

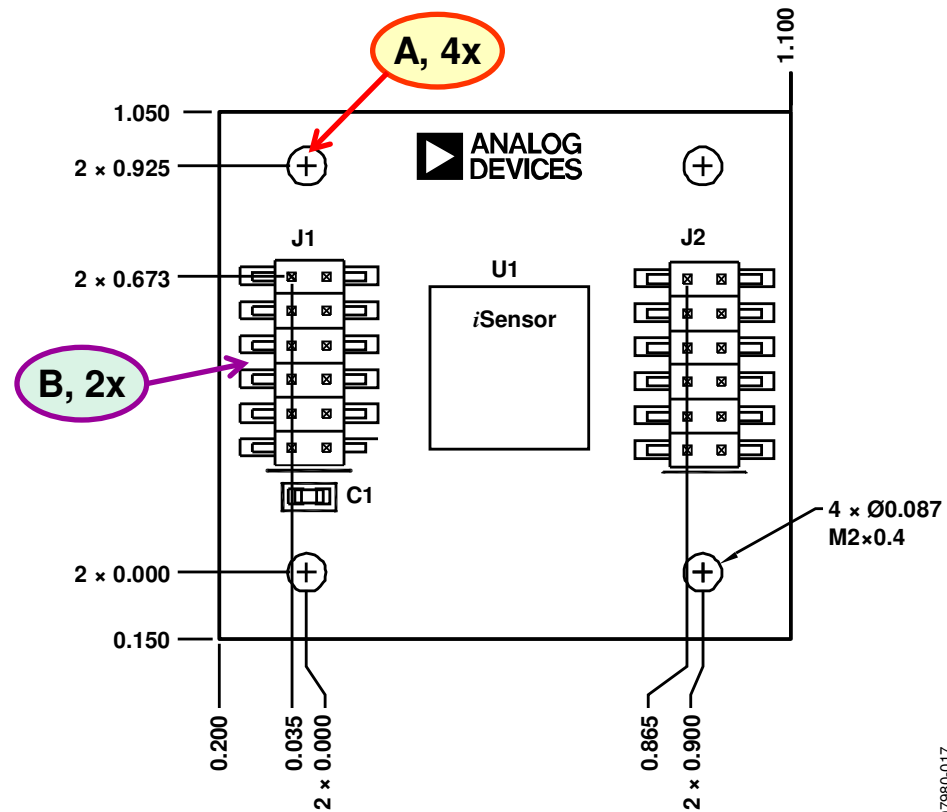
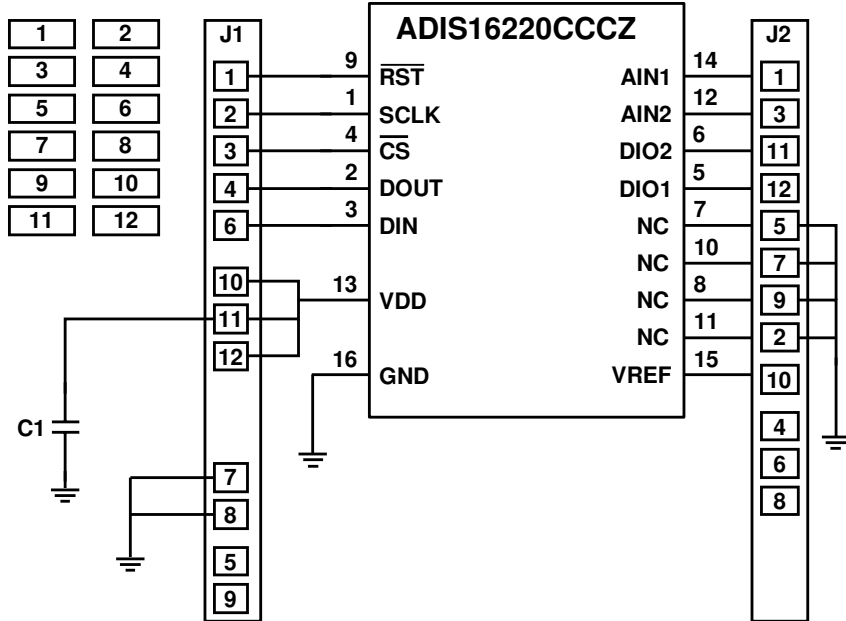
ADISUSBZ



iSensor[®] The Simple Solution for Sensor Integration

ADIS16220/PCBZ

J1/J2 PIN NUMBERS

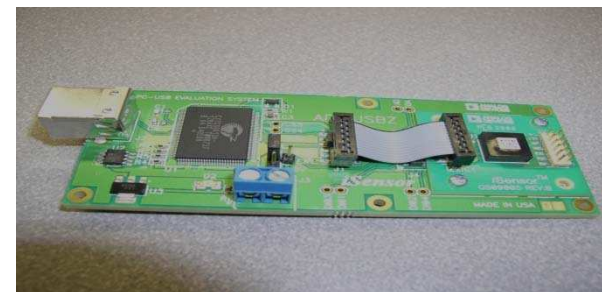


- A.** Interface board general-purpose mounting holes. Use M2 (2mm) machine screws. Use these to manage PCB-level resonance threats.
- B.** J1, J2 are dual-row, 12-pin connectors, which enable simple connection to embedded processor systems with 1mm ribbon cable systems. Hirose Hirose A3-12PA-2SV(71).
- C.** Use cables for prototype only and keep them as short as possible. SPI serial communications rely on good signal integrity.

iSensor[®] *The Simple Solution for Sensor Integration* **ADIS16220/PCBZ Installation on ADISUSBZ**

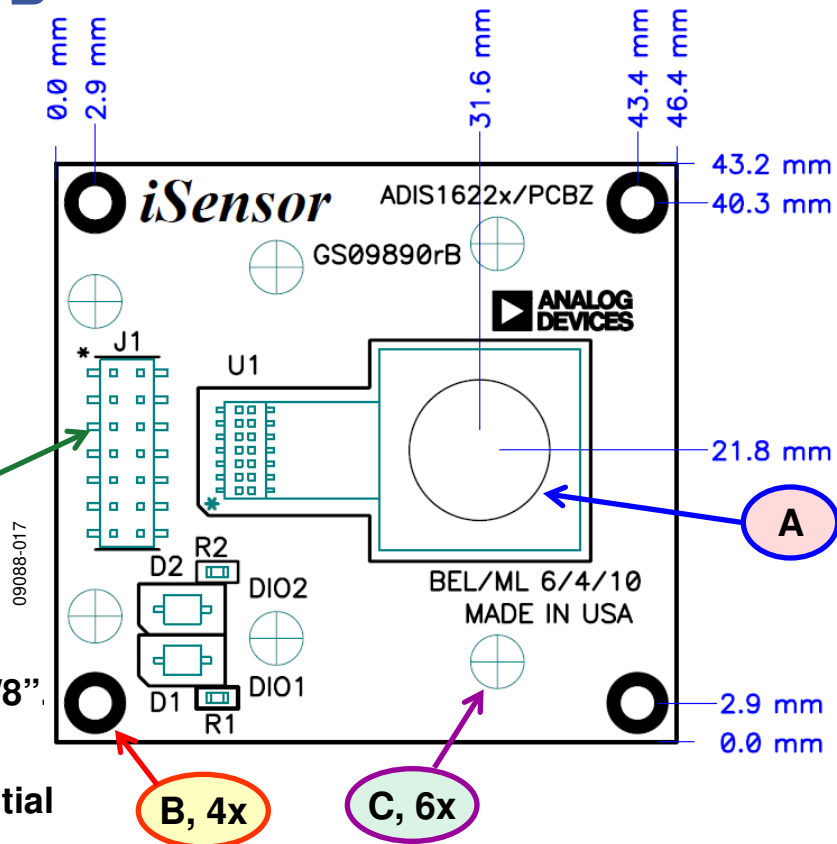
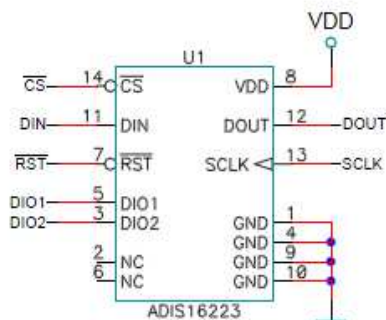
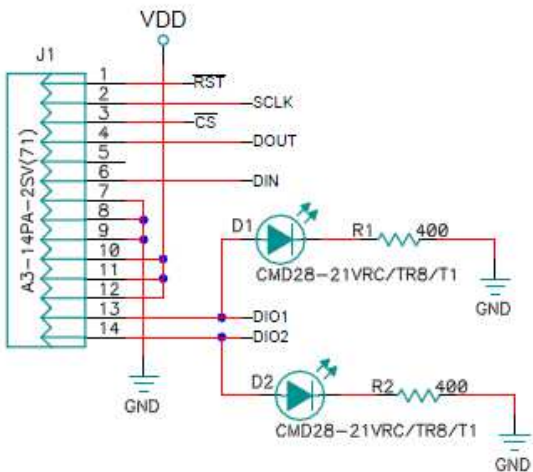
Installation Steps

- 1. Remove ribbon cable & (2) 2mm screws.**
- 2. Place ADIS16220/PCBZ on the ADISUSBZ, using the silk screen and four corner mounting holes as a guide.**
- 3. Install M2x6mm screws to secure ADIS16220/PCBZ on the ADISUSBZ. The ADISUSBZ provides 2mm threaded holes.**
- 4. Re-install ribbon cable.**
- 5. Set JP1 to “+3.3V”, it isn’t already in place option to “+5V” option. Do not plug USB in until completing ADIS16220 evaluation software installation.**



iSensor[®] The Simple Solution for Sensor Integration

ADIS16223/PCBZ, ADIS16227/PCB7

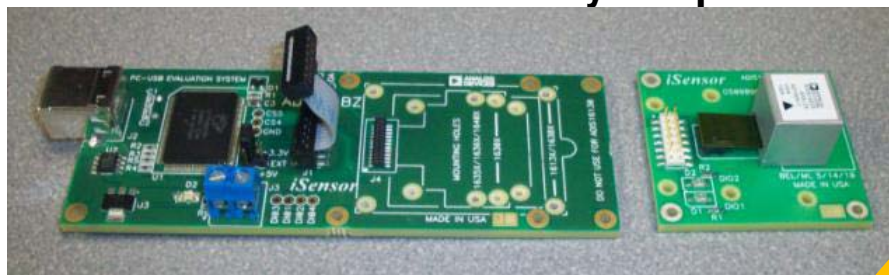


- A.** ADIS16223CMLZ bolted to the interface board using: Fastener Express p/n FHS1106-4I2 , flat head 10/32x3/8”.
- B.** Interface board general-purpose mounting holes. Use M2 (2mm) machine screws to help manage potential PCB-level resonance threats.
- C.** ADISUSBZ mounting holes. Use M2 (2mm) machine screws.
- D.** Electrical interface, J1. Pads provide 14-pins but the ADISUSBZ only accommodates 12 pins. Populated with a 12-pin, 2x6, 2mm connector. Pins 13 & 14 provide access to DIO1 & DIO2. Can manually replace J1 with 14-pin version. Example: Hirose A3-14PA-2SV(71).

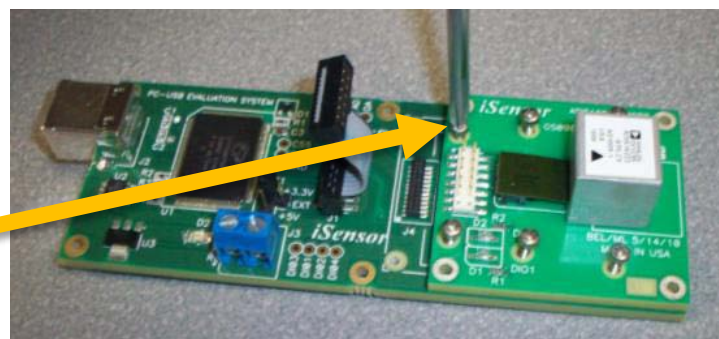
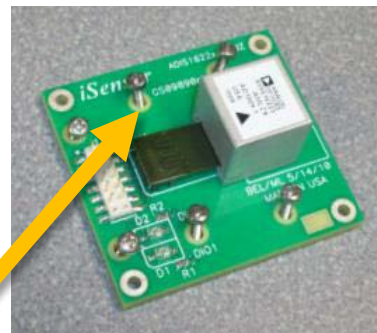
iSensor[®] The Simple Solution for Sensor Integration

ADIS16223/PCBZ, ADIS16227/PCBZ; ADISUSBZ Installation

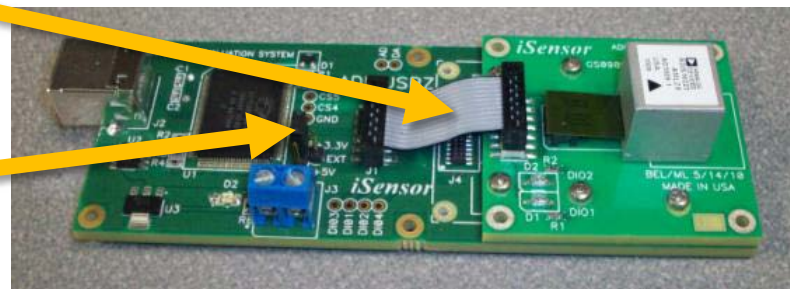
1. Bend ribbon cable back.
2. Remove M2 screws if they are present.



3. Place M2x6mm screws in six ADISUSB mounting holes.
4. Place ADIS1622x/PCBZ onto the ADISUSBZ and tighten screws.

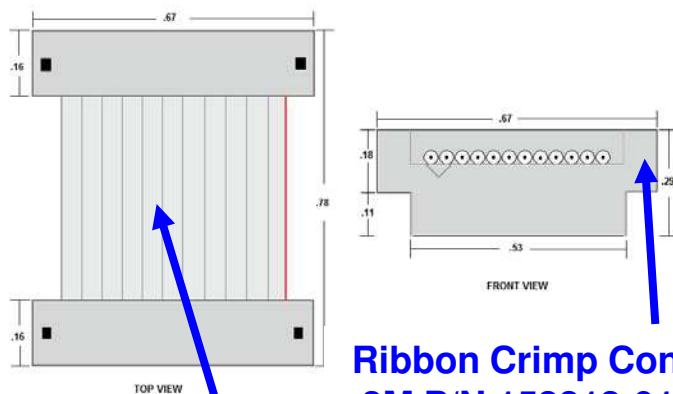


5. Connect ribbon cable, making sure that it is aligned with upper 12 pins.
6. Set JP1 to "+3.3V". Do not plug USB in until after completing ADIS1622x evaluation software installation.



iSensor[®] *The Simple Solution for Sensor Integration* ADIS1622x/PCBZ Ribbon Cable Interface

J1/J2 Ribbon Cable Interface Parts



Ribbon Cable
3M P/N 3625/12 (100m)

Ribbon Crimp Connector
3M P/N 152212-0100-GB

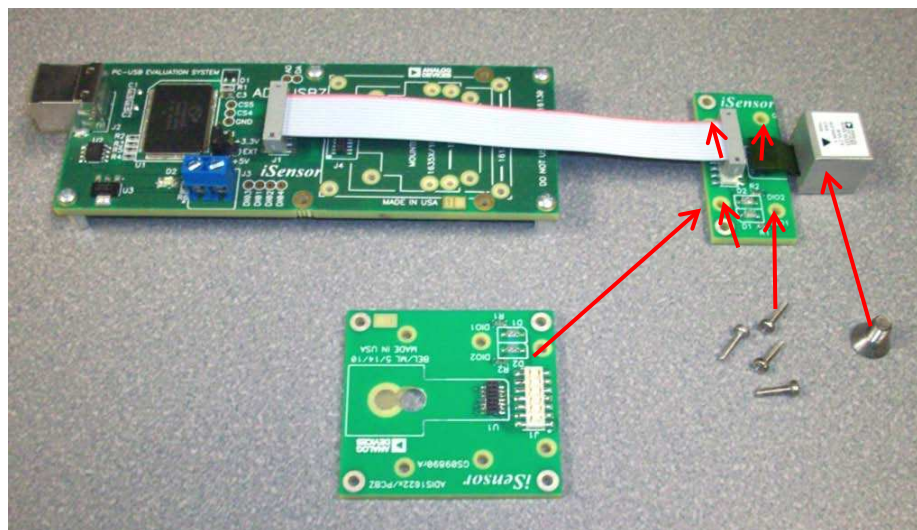
**ADISUSBZ uses the following
cable assembly from Samtec:**

ASP-140062-01

iSensor[®] *The Simple Solution for Sensor Integration*

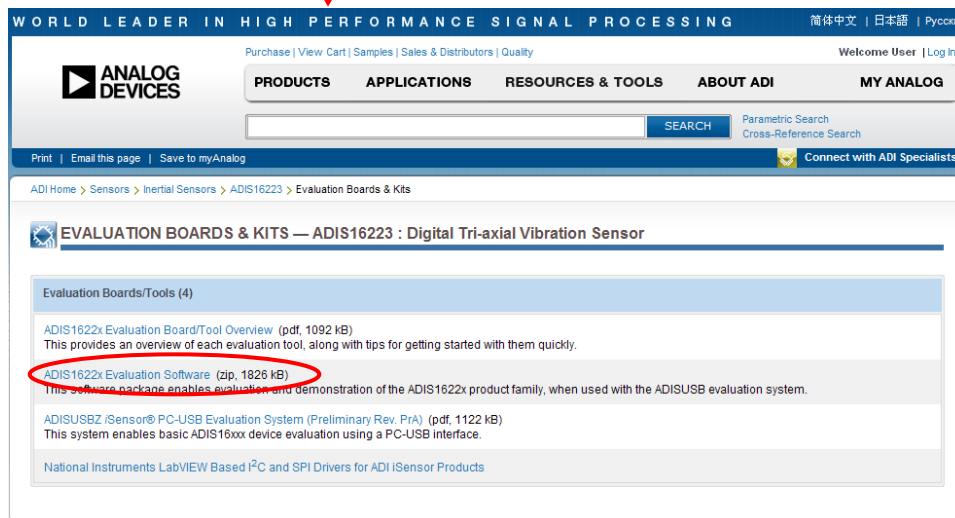
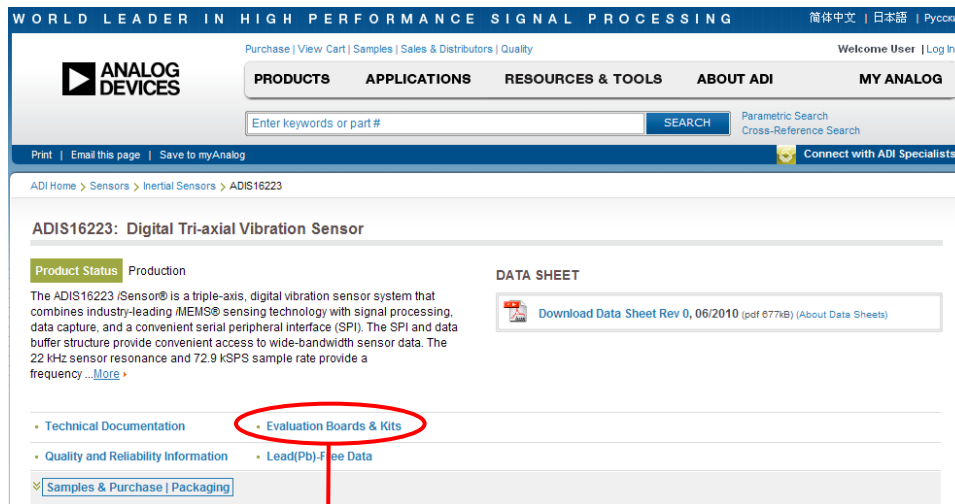
Alternate Use for Best Mechanical Coupling

1. Remove ADIS1622xCMLZ from ADIS1622x/PCBZ by carefully unplugging the flex (it can break) and the 10-32 screw on the bottom side.
2. Cut the interface board down so that the ADIS1622xCMLZ can be mounted to the test frame using a 10-32 stud or machine screw.
3. Use the cut down version of the interface board, along with an extended ribbon cable to still use the ADISUSBZ to capture data into a test PC.
4. Use 2mm screws to attach the cut-down interface board and 4-40 screws to mounted the ADISUSBZ.



iSensor® The Simple Solution for Sensor Integration

ADIS1622x Evaluation Software Installation



The ADIS16220, ADIS16223, and ADIS16227 have their own demo/evaluation software packages, which can be downloaded from each product's web page at www.analog.com.

Use the following steps to download, install, and get the evaluation software running. Each package will use a similar setup, with differences noted in the following steps.

NOTE: The demo/evaluation software packages use a driver set that is not currently compatible with Windows Vista and Windows 7. Use a machine with Windows XP operating system.

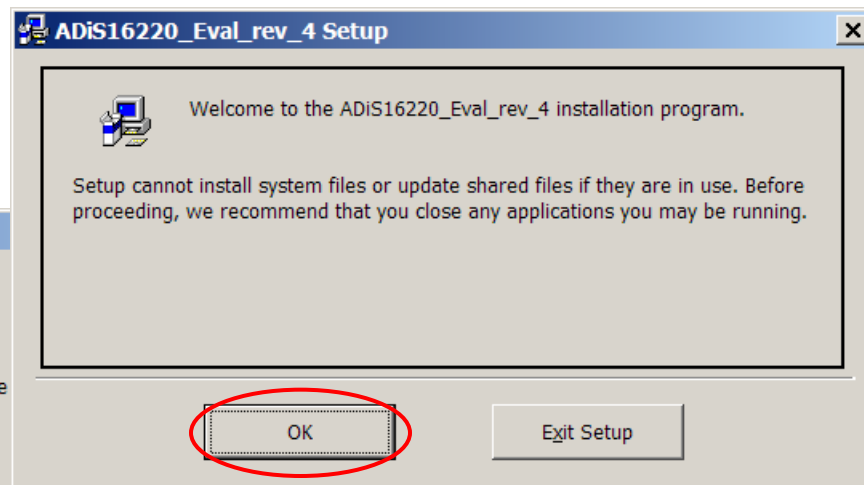
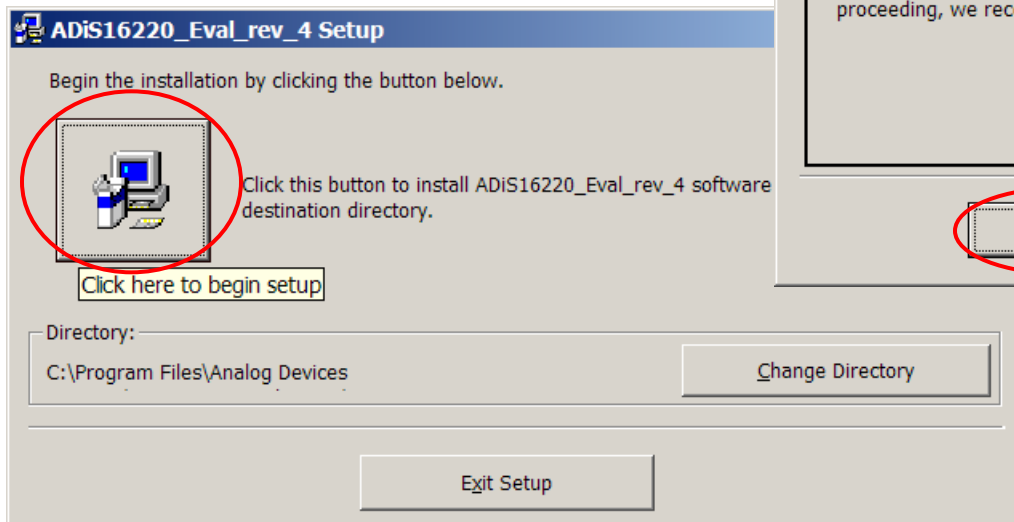
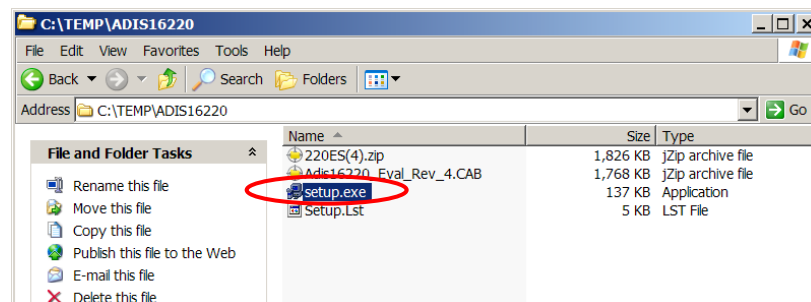
1. Go to home page, for example: www.analog.com/ADIS16223
2. Click on “Evaluation Boards & Kits.”
3. Click on the Evaluation software link to download the software and follow instructions to save it to a temporary directory.

iSensor® The Simple Solution for Sensor Integration

ADIS1622x Evaluation Software Installation

Installation Steps (continued)

4. Unpack contents from zipped file and click on “setup.exe”.
5. Click OK on the next screen.
6. Click on computer icon to start the installation process.

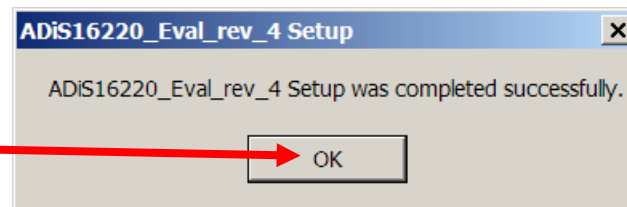
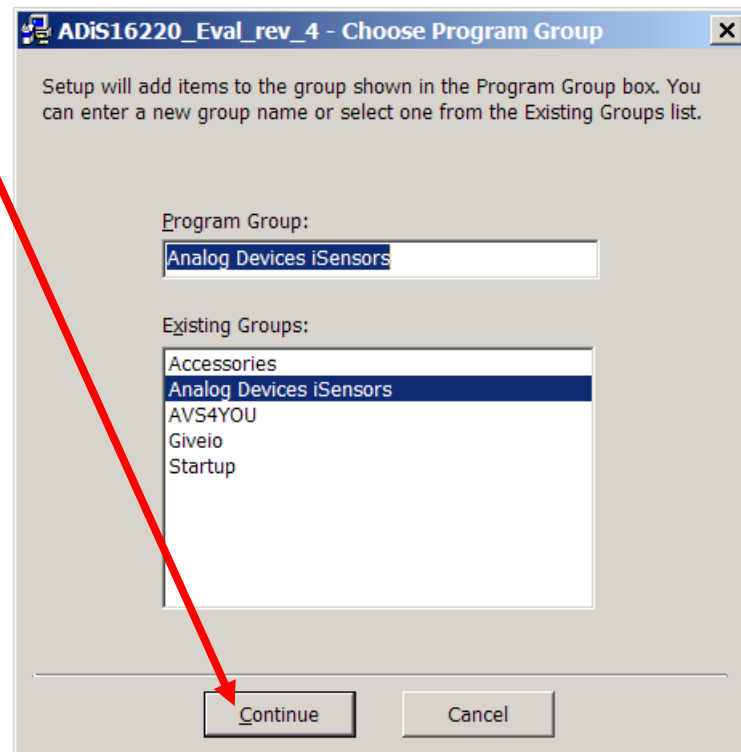
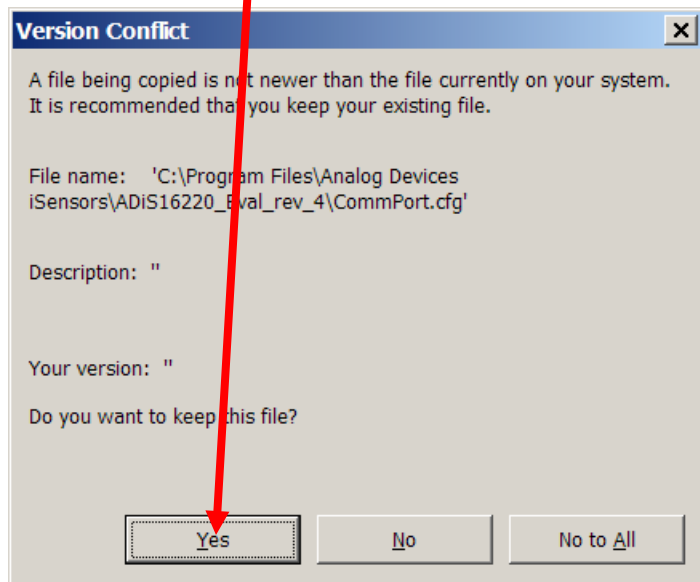


iSensor[®] *The Simple Solution for Sensor Integration*

ADIS1622x Evaluation Software Installation

Installation Steps (continued)

7. Click Continue.
8. If a window like this appears, we suggest keeping the existing files. In this case, click "Yes" to keep existing files.

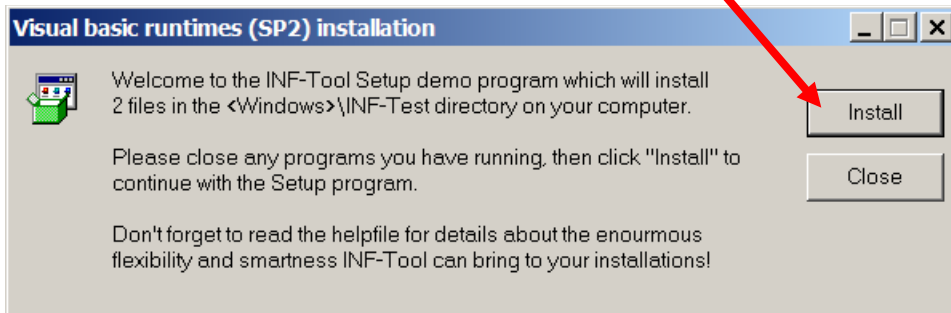
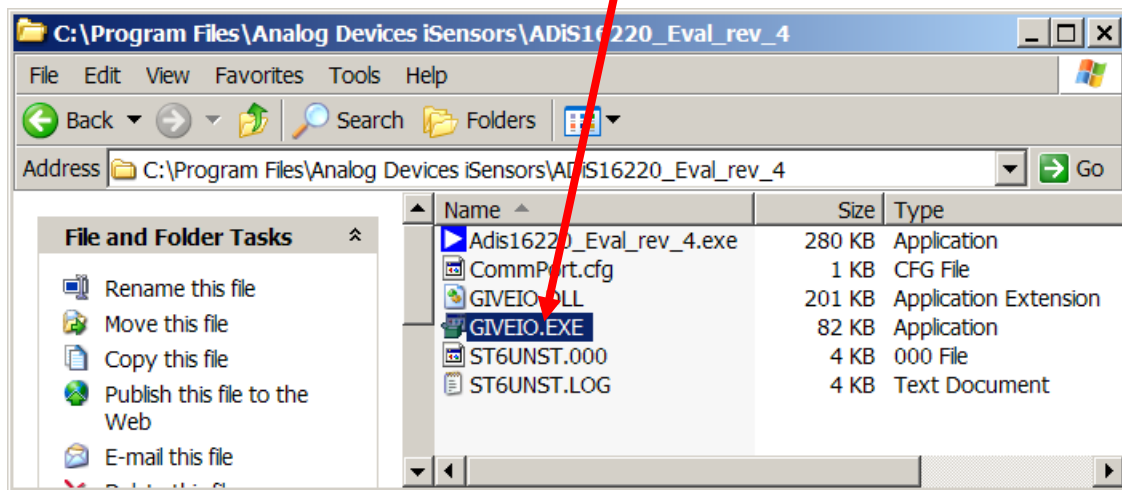


iSensor® *The Simple Solution for Sensor Integration*

ADIS1622x Evaluation Software Installation

Installation Steps (continued)

9. Open the newly created directory and double-click onto “giveio.exe”.
10. Click “Install”.



iSensor[®] *The Simple Solution for Sensor Integration*

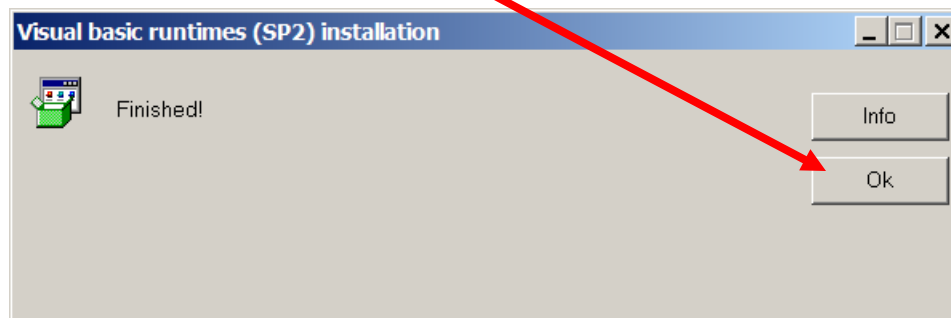
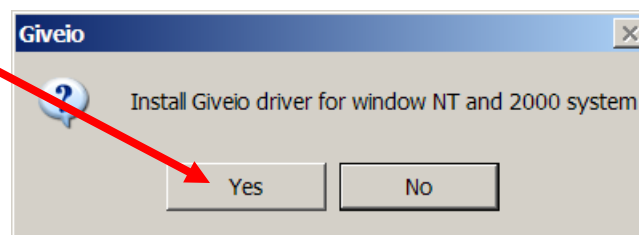
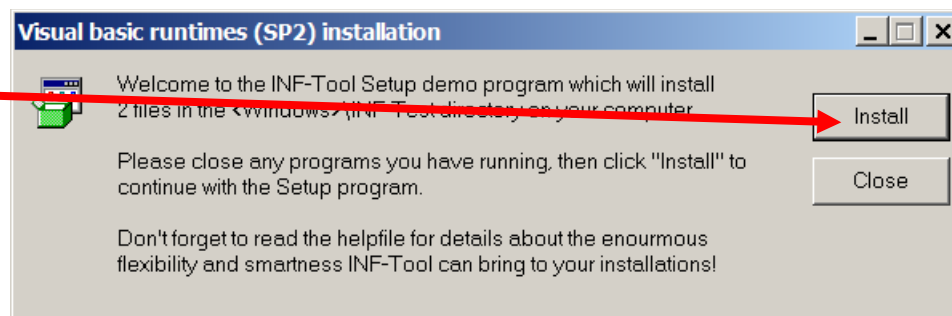
ADIS1622x Evaluation Software Installation

Installation Steps (continued)

11. Click "Install".

12. Click "Yes".

13. Giveio Driver complete.
Click "Ok".

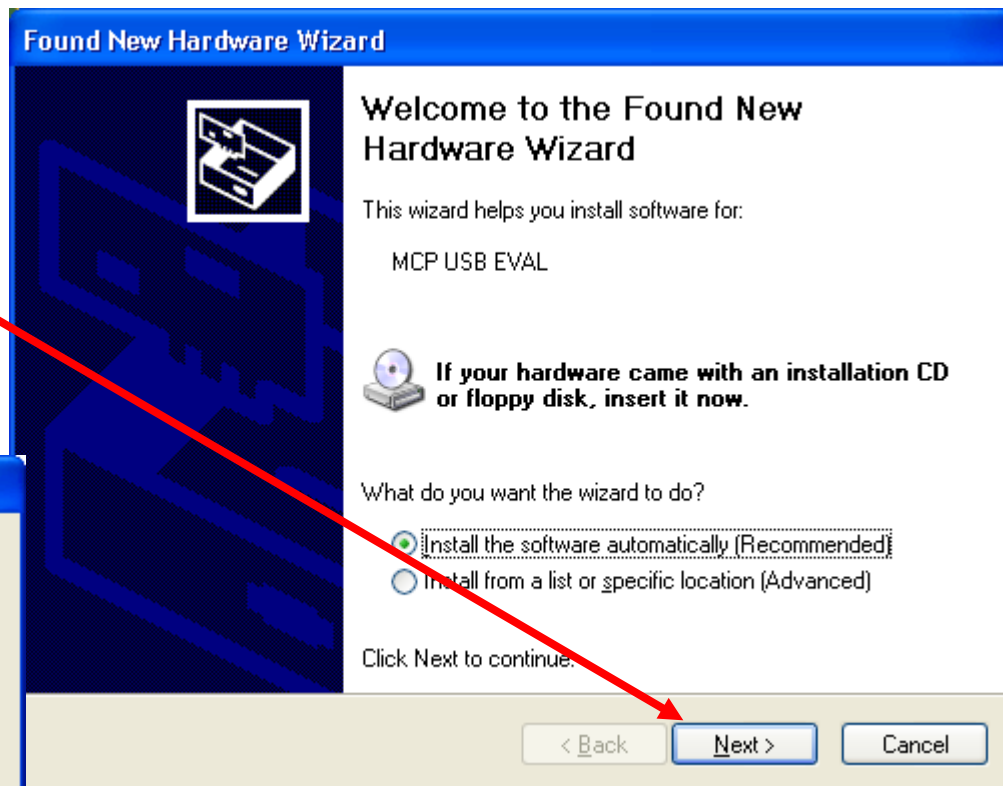
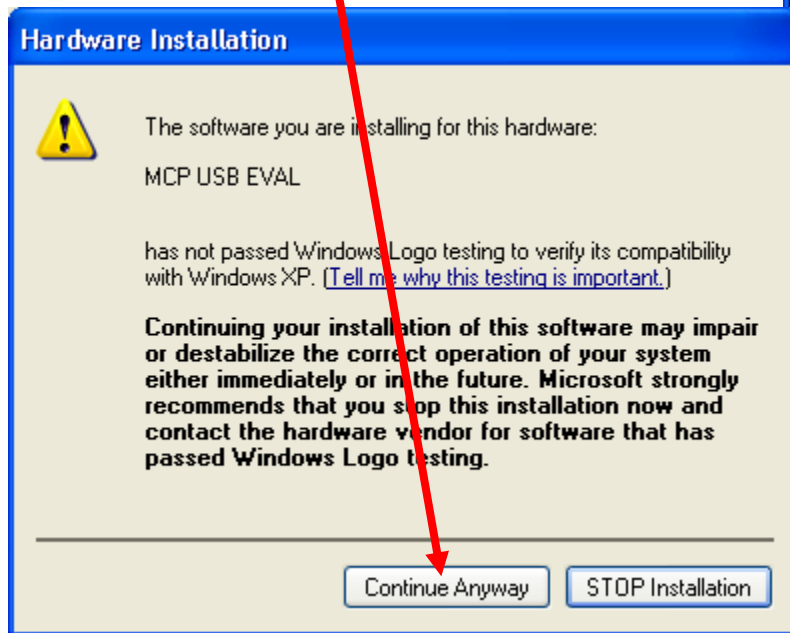


iSensor® The Simple Solution for Sensor Integration

MCP USB Driver Installation

Installation Steps

1. Plug the ADISUSBZ to the PC using an A-to-B USB cable. The USB Driver screen will pop-up. Click "Next" to start this process.
2. Then click on "Continue Anyway".



This process will repeat with another file. Just follow the instructions and allow it to go through one more time. After completing this, the device is ready for test.

iSensor® The Simple Solution for Sensor Integration

ADIS1622x Software Tips, Manual Trigger Mode

The screenshot displays the ADIS16220 software interface with the following sections:

- Buffer CAPT_CTRL:** Pre-Trigger (128), Capture Mode (Manual), Trigger button. Checkboxes for Power Down Between Captures, Write Capture to Flash Memory, and Enable Band Pass Filter. Buttons for Read Flash and Write to Flash.
- Timer CAPT_PRD:** Units (no data), Interval (1), Timer Value (OFF).
- AVG_CNT:** Capt. Duration (0.23 sec), 1.
- Buffer Data:** Read button. Values: Capt_SUPPLY (V) 3.1885, Capt_TEMP (C) 24.81, CAPT_PEAK_X (g) -2.842, CAPT_PEAK_Y (g) -2.923, CAPT_PEAK_Z (g) 1.5688.
- Data Log:** Data Log (OFF), File Count (0).
- Self Test:** ON (radio button), OFF (radio button).
- Status Register:** Read Status, Clear. List of status items with OK or SET indicators.
- Data Plot:** Graph showing acceleration data (X, Y, Z) over time. Cursor value: -0.5 sample 1. Scale (g) 7. Horz. Offset 0, Horz. Scale 1023. Checkboxes for X acc, Y acc, Z acc.

1. Click on “Interface” and select USB, then OK when the pop-up window shows the USB device is connected.
2. Software should start up and place the ADIS1622x device in Manual mode.
3. Click to trigger button and wait for the capture to complete inside the device, then load to the screen.

iSensor® The Simple Solution for Sensor Integration

ADIS1622x Software Tips, Automatic Trigger Mode

The screenshot displays the ADIS16220 software interface with the following sections:

- Buffer CAPT_CTRL:** Pre-Trigger (64), Capture Mode (Automatic), Stop button, checkboxes for Power Down Between Captures, Event Alarm Write to Flash, and Enable Band Pass Filter, Read Flash, Write to Flash buttons.
- Timer CAPT_PRD:** Units (Seconds), Interval (30).
- AVG_CNT:** Capt. Duration (1.10 sec), Capt. Count (64).
- Buffer Data:** Read button, Capt_SUPPLY (V), Capt_TEMP (C), CAPT_PEAK_X (g), CAPT_PEAK_Y (g), CAPT_PEAK_Z (g) (all showing noData).
- Data Log:** Data Log OFF, File Count 0.
- Self Test:** ON/OFF radio buttons.
- Status Register:** Read Status, Clear, and a list of status indicators (Supply, Flash Update Failure, SPI Comm Failure, Capture Period Violation, Self-test Diagnostic, Flash Memory Failure, Data Ready, Alarm X, Alarm Y, Alarm Z, System Alarm, Alarm X Event, Alarm Y Event, Alarm Z Event) all showing OK.
- Data Plot:** Cursor value (-6.2), sample (281), Scale (g) (7), and checkboxes for X acc, Y acc, Z acc.

1. Automatic mode in the ADIS1622x products uses an internal timer to trigger new data capture events.
2. Since the ADISUSBZ doesn't connect to the "Busy" signal, DIO1 per factory default, use the LEDs on the ADIS16223/PCBZ to determine if the device is busy. Do not attempt to read when the LED is on. Note that the ADISUSBZ takes a few seconds to read and process the data. Keep the capture period of above 10 seconds for best results in read-back.
3. This screen shows a quick example. The AVG_CNT is extended to 64 so that the DIO1 LED is on longer for observation.
4. Click "Start" to begin, once the settings are finished.

iSensor® The Simple Solution for Sensor Integration

ADIS1622x Software Tips, Event Trigger Mode

The screenshot shows the ADIS16220 software interface with the following sections:

- Buffer CAPT_CTRL:** Pre-Trigger (128), Capture Mode (Event), Arm button, Automatic Re-arm checkbox, Power Down Between Captures checkbox, Write Capture to Flash Memory checkbox, Enable Band Pass Filter checkbox, Read Flash button, Write to Flash button.
- Timer CAPT_PRD:** Units (Minutes), Interval (1), Timer Value (OFF).
- AVG_CNT:** Capt. Duration (0.23 sec), 1 button.
- Buffer Data:** Read button, Capt_SUPPLY (V) 3.1885, Capt_TEMP (C) 25.28, CAPT_PEAK_X (g) -2.6035, CAPT_PEAK_Y (g) -2.6846, CAPT_PEAK_Z (g) 2.0409.
- Data Log:** File Count (0), Data Log OFF checkbox.
- Self Test:** ON radio button, OFF radio button.
- Status Register:** Read Status button, Clear button, Supply < 3.150 V (OK), Supply > 3.625 V (OK), Flash Update Failure (OK), SPI Comm Failure (OK), Capture Period Violation (OK), Self-Test Diagnostic (OK), Flash Memory Failure (OK), Data Ready (SET), Alarm X (OK), Alarm Y (OK), Alarm Z (OK), System Alarm (OK), Alarm X Event (OK), Alarm Y Event (OK), Alarm Z Event (OK).
- Data Plot:** Cursor value (6.7), sample (140), Scale(g) (7), Horiz. Offset (0), Horiz. Scale (1023), X acc checked, Y acc checked, Z acc checked.

1. Use the pull-down menu to set the device up for “Event Capture Mode”.

iSensor® The Simple Solution for Sensor Integration

ADIS1622x Software Tips, Event Trigger Mode

The screenshot displays the ADIS16220 software interface. The 'Configuration' menu is open, highlighting the 'ALARMS' option. A blue arrow points to this menu. The interface includes several sections:

- Configuration:** Includes 'ALARMS', 'Calibration', 'COMMAND', 'DIO_CTRL / GPIO_CTRL', and 'MSC_CTRL'. A blue arrow points to the 'ALARMS' option.
- Timer CAPT_PRD:** Shows 'Units' set to 'Minutes' and 'Interval' set to '1'. The 'Timer Value' is 'OFF'.
- AVG_CNT:** Shows 'Capt. Duration' set to '0.23 sec' and a dropdown set to '1'.
- Buffer Data:** Includes a 'Read' button and a table of sensor data:

| | |
|-----------------|---------|
| Capt_SUPPLY (V) | 3.1885 |
| Capt_TEMP (C) | 25.28 |
| CAPT_PEAK_X (g) | -2.6035 |
| CAPT_PEAK_Y (g) | -2.6846 |
| CAPT_PEAK_Z (g) | 2.0409 |
- Status Register:** Lists various status indicators with 'OK' or 'SET' indicators:

| | |
|--------------------------|-----|
| Supply < 3.150 V | OK |
| Supply > 3.625 V | OK |
| Flash Update Failure | OK |
| SPI Comm Failure | OK |
| Capture Period Violation | OK |
| SelfTest Diagnostic | OK |
| Flash Memory Failure | OK |
| Data Ready | SET |
| Alarm X | OK |
| Alarm Y | OK |
| Alarm Z | OK |
| System Alarm | OK |
| Alarm X Event | OK |
| Alarm Y Event | OK |
| Alarm Z Event | OK |
- Data Plot:** A graph showing acceleration data. The y-axis is labeled 'Scale(g)' and ranges from -120 to 120. The x-axis is labeled 'Horz. Scale' and is set to 1023. The plot shows a flat line at 0g. A cursor is positioned at 'value 6.7' and 'sample 140'. The plot is titled 'Data Plot' and has a 'Cursor value' box.

2. Use the “ALARMS” option in the configuration pull-down menu to set up the trigger levels.

iSensor[®] The Simple Solution for Sensor Integration

ADIS1622x Software Tips, Event Trigger Mode, Alarms

Alarms Alm_Mag Alm_Ctrl [X]

Alarm_X acceleration

Enable Alarm 1
Magnitude (g)

Alarm_Y acceleration

Enable Alarm 2
Magnitude (g)

Alarm_Z acceleration

Enable Alarm 3
Magnitude (g)

Alarm 4

Enable Alarm 4
Source
 Temperature Power Supply
Polarity
 Greater Than Less Than
Magnitude (V)

Flash Memory

Alarms Alm_Mag Alm_Ctrl [X]

Alarm_X acceleration

Enable Alarm 1
Magnitude (g)

Alarm_Y acceleration

Enable Alarm 2
Magnitude (g)

Alarm_Z acceleration

Enable Alarm 3
Magnitude (g)

Alarm 4

Enable Alarm 4
Source
 Temperature Power Supply
Polarity
 Greater Than Less Than
Magnitude (V)

Flash Memory

1. In this example, enable each alarm, then enter the acceleration threshold for triggering the capture.
2. In this case, enter “10”, then click “Write A1”.
3. Notice how the device changes the value to something close. This is the closest register value for the user entry.
4. Then repeat for each Alarm.
5. Click on “Save to Flash” to back the settings up in non-volatile flash memory.
6. Click on “X” in upper right hand corner to exit.

iSensor[®] The Simple Solution for Sensor Integration

ADIS1622x Software Tips, Event Mode Capture Example

The screenshot shows the software interface for the ADIS16220 Eval Rev 4. The interface is divided into several sections:

- Buffer CAPT_CTRL:** Includes a Pre-Trigger dropdown set to 128, a Capture Mode dropdown set to Event, and a DisArm button highlighted with a blue arrow. There are also checkboxes for Automatic Re-arm, Power Down Between Captures, Write Capture to Flash Memory, and Enable Band Pass Filter. Buttons for Read Flash and Write to Flash are present.
- Timer CAPT_PRD:** Includes Units (Minutes) and Interval (1) dropdowns, and a Timer Value dropdown set to OFF.
- AVG_CNT:** Includes Capt. Duration (0.23 sec) and a dropdown set to 1.
- Buffer Data:** Includes a Read button and a table of captured data:

| | |
|-----------------|----------|
| Capt_SUPPLY (V) | 3.1677 |
| Capt_TEMP (C) | 25.28 |
| CAPT_PEAK_X (g) | 98.0759 |
| CAPT_PEAK_Y (g) | -63.8199 |
| CAPT_PEAK_Z (g) | 52.6047 |
- Status Register:** Includes Read Status and Clear buttons, and a list of status indicators with OK, SET, or OK labels.
- Data Plot:** Includes a Data Plot window showing a 3-axis acceleration plot (X, Y, Z) with a cursor value of 6.7 at sample 140. The plot shows a sharp transient event. Below the plot are controls for Horiz. Offset (0), Horiz. Scale (1023), and checkboxes for X acc, Y acc, and Z acc.

1. Click on “Arm” and notice that the DIO1 LED light turns on.
2. Tap the assembly on non-valuable surface. Increase the intensity of the tap until the capture triggers.
3. This will be evident when the DIO1 LED is not longer lit.
4. Click on “DisArm,” which is the same button that was “Arm” at the start of the process.
5. Under “Buffer Data,” click “Read” to plot the captured data on the screen.



iSensor[®] *The Simple Solution for Sensor Integration*

ADIS1622x Software Tips, Filtering, No Filtering Enabled

Buffer CAPT_CTRL

Pre-Trigger: 64 | Capture Mode: Manual | Trigger

Power Down Between Captures
 Event Alarm Write to Flash
 Enable Band Pass Filter

Read Flash | Write to Flash

Timer CAPT_PRD

Units: Seconds | Interval: 0

AVG_CNT

Capt. Duration: 0.23 sec | 1

Buffer Data

Read

| | |
|-----------------|---------|
| Capt_SUPPLY (V) | 3.2788 |
| Capt_TEMP (C) | 28.57 |
| CAPT_PEAK_X (g) | -2.6083 |
| CAPT_PEAK_Y (g) | -2.532 |
| CAPT_PEAK_Z (g) | 1.5354 |

Status Register

Read Status | Clear

| | |
|--------------------------|-----|
| Supply < 3.150 V | OK |
| Supply > 3.625 V | OK |
| Flash Update Failure | OK |
| SPI Comm Failure | OK |
| Capture Period Violation | OK |
| Self-Test Diagnostic | OK |
| Flash Memory Failure | OK |
| Data Ready | SET |
| Alarm X | OK |
| Alarm Y | OK |
| Alarm Z | OK |
| System Alarm | OK |
| Alarm X Event | OK |
| Alarm Y Event | OK |
| Alarm Z Event | OK |

Data Plot

Cursor value: 1.2 | sample: 5

Scale(g): 1.5

Horz. Offset: 0 | Horz. Scale: 1023

X acc | Y acc | Z acc

1. The ADIS1622x are wide-band filters.
2. Lower frequency applications tend to value lower noise.
3. The filtering helps optimize the noise and frequency content of the data capture.
4. This plot is when no filters are enabled and the device is in its widest bandwidth.

iSensor[®] The Simple Solution for Sensor Integration

ADIS1622x Software Tips, Band-Pass Filtering

The screenshot displays the iSensor software interface for the ADIS16220 Eval Rev 5. The interface is divided into several sections:

- Buffer CAPT_CTRL:** Contains a 'Trigger' button (indicated by a blue arrow), a 'Pre-Trigger' dropdown set to '64', a 'Capture Mode' dropdown set to 'Manual', and checkboxes for 'Power Down Between Captures', 'Event Alarm Write to Flash', and 'Enable Band Pass Filter' (checked, indicated by a blue arrow). There are also 'Read Flash' and 'Write to Flash' buttons.
- Timer CAPT_PRD:** Includes 'Units' (Seconds) and 'Interval' (0) fields.
- AVG_CNT:** Includes 'Capt. Duration' (0.23 sec) and a dropdown set to '1'.
- Buffer Data:** Includes a 'Read' button and a table of sensor data:

| | |
|-----------------|---------|
| Capt_SUPPLY (V) | 3.2776 |
| Capt_TEMP (C) | 28.1 |
| CAPT_PEAK_X (g) | 0.8774 |
| CAPT_PEAK_Y (g) | 0.8202 |
| CAPT_PEAK_Z (g) | -0.8202 |
- Status Register:** Includes 'Read Status' and 'Clear' buttons, and a list of status indicators with 'OK' or 'SET' labels.
- Data Plot:** Shows a real-time plot of acceleration data. The y-axis is labeled 'Scale(g)' and ranges from -1.5 to 1.5. The x-axis is labeled 'Horz. Scale' and is set to 1023. The plot shows a noisy signal centered around 0g. A cursor is positioned at 'value 1.2' and 'sample 5'. There are checkboxes for 'X acc', 'Y acc', and 'Z acc', all of which are checked.

1. Enable the band-pass filter.
2. Click on Trigger.
3. Notices the lower amount of noise and the fact that it is centered around 0g now.



iSensor[®] The Simple Solution for Sensor Integration

ADIS1622x Software Tips, Band-Pass & Low-Pass Filtering

The screenshot shows the ADIS16220 software interface with the following sections:

- Buffer CAPT_CTRL:** Pre-Trigger (64), Capture Mode (Manual), Trigger button. Includes checkboxes for Power Down Between Captures, Event Alarm Write to Flash, and Enable Band Pass Filter (checked). Buttons for Read Flash and Write to Flash.
- Timer CAPT_PRD:** Units (Seconds), Interval (0).
- AVG_CNT:** Capt. Duration (1.10 sec), AVG_CNT pull-down menu (64) with a blue arrow pointing to it.
- Buffer Data:** Read button. Values: Capt_SUPPLY (V) 3.2776, Capt_TEMP (C) 28.57, CAPT_PEAK_X (g) -0.1097, CAPT_PEAK_Y (g) 0.1144, CAPT_PEAK_Z (g) 0.1192.
- Data Log:** File Count (32), Datalog ON (checked).
- Self Test:** Radio buttons for ON and OFF (OFF selected).
- Status Register:** Read Status and Clear buttons. List of status indicators: Supply < 3.150 V (OK), Supply > 3.625 V (OK), Flash Update Failure (OK), SPI Comm Failure (OK), Capture Period Violation (OK), Self-Test Diagnostic (OK), Flash Memory Failure (OK), Data Ready (SET), Alarm X (OK), Alarm Y (OK), Alarm Z (OK), System Alarm (OK), Alarm X Event (OK), Alarm Y Event (OK), Alarm Z Event (OK).
- Data Plot:** Graph showing acceleration data. Cursor value 1.4, sample 32. Scale (g) 1.5. Horz. Offset 0, Horz. Scale 1023. X, Y, and Z axes are checked.

1. Click on the AVG_CNT pull-down menu and select 64.
2. Click on Trigger.
3. Observe the lower noise and longer capture time.

iSensor[®] The Simple Solution for Sensor Integration

ADIS16227 Software Tips: Basic Setup

The screenshot shows the ADIS16227 software interface with the following settings:

- Main Control:** Rec Mode: Manual; Window: Hanning; Signal Range: 0 to 5g; Storage Options: None; FFT Avgs: 1; Auto Plot: Null; Start button.
- Sample Rate Options:** SR3 (Fs / 512) is selected.
- Buffer Data:** Capt_SUPPLY (V): 3.2813; Capt_TEMP (C): 27.16; Read button.
- Automatic Mode Settings:** Interval: 0; Units: Seconds; Timer Value: 0.
- Data Log:** Data Log: OFF; File Count: 0; Configure button.
- Peak Alarms:** X-axis, Y-axis, Z-axis: Peak(g) 0.000, Freq(bin) 0, Band 0, Alarm None.
- Spectral Alarms:** X-axis, Y-axis, Z-axis: 1 2 3 4 5 6 (all bands are active).
- Record Storage:** Record Count: 0; Record Num: 0; Clear All, Retrieve, Rec_Info buttons.
- Status Register:** Read Status, Clear buttons; Status list: Supply < 3.150 V (OK), Supply > 3.625 V (OK), Flash Update Failure (OK), SPI Comm Failure (OK), Recording Esc. Flag (OK), Self-Test Diagnostic (OK), Flash Memory Failure (OK), Data Ready (SET), X axis Alarm 1 (OK), Y axis Alarm 1 (OK), Z axis Alarm 1 (OK), X axis Alarm 2 (OK), Y axis Alarm 2 (OK), Z axis Alarm 2 (OK), System Alarm (OK).
- Data Plot:** Scale(g): 2; Cursor value: 1.790; bin: 0; 0 Hz; Trace: X axis, Y axis, Z axis.

1. Double click on the ADIS16227*.exe file to start the software.
2. Make sure that the settings under “Main Control” and “Sample Rate Options” match those in this graphic. The Signal Range, FFT Avgs, SR3 settings are the most common settings that need to be changed for this demo.
3. Take a baseline measurement by clicking on “Start”.
4. Click on “Null” and hold the device in a stationary position until it completes.
5. Take another measurement by hitting “Start” and notice that the DC response is much lower.