



Chipsmall Limited consists of a professional team with an average of over 10 year of expertise in the distribution of electronic components. Based in Hongkong, we have already established firm and mutual-benefit business relationships with customers from,Europe,America and south Asia,supplying obsolete and hard-to-find components to meet their specific needs.

With the principle of “Quality Parts,Customers Priority,Honest Operation,and Considerate Service”,our business mainly focus on the distribution of electronic components. Line cards we deal with include Microchip,ALPS,ROHM,Xilinx,Pulse,ON,Everlight and Freescale. Main products comprise IC,Modules,Potentiometer,IC Socket,Relay,Connector.Our parts cover such applications as commercial,industrial, and automotives areas.

We are looking forward to setting up business relationship with you and hope to provide you with the best service and solution. Let us make a better world for our industry!



Contact us

Tel: +86-755-8981 8866 Fax: +86-755-8427 6832

Email & Skype: info@chipsmall.com Web: www.chipsmall.com

Address: A1208, Overseas Decoration Building, #122 Zhenhua RD., Futian, Shenzhen, China





MICROCHIP

**MIC2877 High-Current
Synchronous Boost Regulator
Evaluation Board
User's Guide**

Note the following details of the code protection feature on Microchip devices:

- Microchip products meet the specification contained in their particular Microchip Data Sheet.
- Microchip believes that its family of products is one of the most secure families of its kind on the market today, when used in the intended manner and under normal conditions.
- There are dishonest and possibly illegal methods used to breach the code protection feature. All of these methods, to our knowledge, require using the Microchip products in a manner outside the operating specifications contained in Microchip's Data Sheets. Most likely, the person doing so is engaged in theft of intellectual property.
- Microchip is willing to work with the customer who is concerned about the integrity of their code.
- Neither Microchip nor any other semiconductor manufacturer can guarantee the security of their code. Code protection does not mean that we are guaranteeing the product as "unbreakable."

Code protection is constantly evolving. We at Microchip are committed to continuously improving the code protection features of our products. Attempts to break Microchip's code protection feature may be a violation of the Digital Millennium Copyright Act. If such acts allow unauthorized access to your software or other copyrighted work, you may have a right to sue for relief under that Act.

Information contained in this publication regarding device applications and the like is provided only for your convenience and may be superseded by updates. It is your responsibility to ensure that your application meets with your specifications. MICROCHIP MAKES NO REPRESENTATIONS OR WARRANTIES OF ANY KIND WHETHER EXPRESS OR IMPLIED, WRITTEN OR ORAL, STATUTORY OR OTHERWISE, RELATED TO THE INFORMATION, INCLUDING BUT NOT LIMITED TO ITS CONDITION, QUALITY, PERFORMANCE, MERCHANTABILITY OR FITNESS FOR PURPOSE. Microchip disclaims all liability arising from this information and its use. Use of Microchip devices in life support and/or safety applications is entirely at the buyer's risk, and the buyer agrees to defend, indemnify and hold harmless Microchip from any and all damages, claims, suits, or expenses resulting from such use. No licenses are conveyed, implicitly or otherwise, under any Microchip intellectual property rights unless otherwise stated.

Microchip received ISO/TS-16949:2009 certification for its worldwide headquarters, design and wafer fabrication facilities in Chandler and Tempe, Arizona; Gresham, Oregon and design centers in California and India. The Company's quality system processes and procedures are for its PIC® MCUs and dsPIC® DSCs, KEELOQ® code hopping devices, Serial EEPROMs, microperipherals, nonvolatile memory and analog products. In addition, Microchip's quality system for the design and manufacture of development systems is ISO 9001:2000 certified.

**QUALITY MANAGEMENT SYSTEM
CERTIFIED BY DNV
= ISO/TS 16949 =**

Trademarks

The Microchip name and logo, the Microchip logo, AnyRate, AVR, AVR logo, AVR Freaks, BeaconThings, BitCloud, CryptoMemory, CryptoRF, dsPIC, FlashFlex, flexPWR, Helder, JukeBlox, KEELOQ, KEELOQ logo, Klear, LANCheck, LINK MD, maXStylus, maXTouch, MediaLB, megaAVR, MOST, MOST logo, MPLAB, OptoLyzer, PIC, picoPower, PICSTART, PIC32 logo, Prochip Designer, QTouch, RightTouch, SAM-BA, SpyNIC, SST, SST Logo, SuperFlash, tinyAVR, UNI/O, and XMEGA are registered trademarks of Microchip Technology Incorporated in the U.S.A. and other countries.

ClockWorks, The Embedded Control Solutions Company, EtherSynch, Hyper Speed Control, HyperLight Load, IntelliMOS, mTouch, Precision Edge, and Quiet-Wire are registered trademarks of Microchip Technology Incorporated in the U.S.A.

Adjacent Key Suppression, AKS, Analog-for-the-Digital Age, Any Capacitor, AnyIn, AnyOut, BodyCom, chipKIT, chipKIT logo, CodeGuard, CryptoAuthentication, CryptoCompanion, CryptoController, dsPICDEM, dsPICDEM.net, Dynamic Average Matching, DAM, ECAN, EtherGREEN, In-Circuit Serial Programming, ICSP, Inter-Chip Connectivity, JitterBlocker, KlearNet, KlearNet logo, Mindi, MiWi, motorBench, MPASM, MPF, MPLAB Certified logo, MPLIB, MPLINK, MultiTRAK, NetDetach, Omniscient Code Generation, PICDEM, PICDEM.net, PICkit, PICTail, PureSilicon, QMatrix, RightTouch logo, REAL ICE, Ripple Blocker, SAM-ICE, Serial Quad I/O, SMART-I.S., SQI, SuperSwitcher, SuperSwitcher II, Total Endurance, TSHARC, USBCheck, VariSense, ViewSpan, WiperLock, Wireless DNA, and ZENA are trademarks of Microchip Technology Incorporated in the U.S.A. and other countries.

SQTP is a service mark of Microchip Technology Incorporated in the U.S.A.

Silicon Storage Technology is a registered trademark of Microchip Technology Inc. in other countries.

GestIC is a registered trademark of Microchip Technology Germany II GmbH & Co. KG, a subsidiary of Microchip Technology Inc., in other countries.

All other trademarks mentioned herein are property of their respective companies.

© 2017, Microchip Technology Incorporated, All Rights Reserved.
ISBN: 978-1-5224-2305-8



MIC2877 HIGH-CURRENT SYNCHRONOUS BOOST REGULATOR EVALUATION BOARD

Table of Contents

Preface	7
Introduction.....	7
Document Layout	7
Conventions Used in this Guide	8
Warranty Registration.....	8
Recommended Reading.....	9
The Microchip Web Site	9
Product Change Notification Service.....	9
Customer Support	9
Document Revision History	9
Chapter 1. Product Overview	
1.1 Introduction	11
1.2 MIC2877 Evaluation Board Features	12
1.3 What Does the MIC2877 Evaluation Board Kit Include?	12
Chapter 2. Installation and Operation	
2.1 System Configuration and Requirements	13
2.2 Getting Started	13
2.2.1 Connecting an External Supply to the VIN Terminals	13
2.2.2 Connecting a Load to VOUT and GND Terminals	13
2.2.3 Enabling and Disabling the MIC2877	13
2.2.4 Power-Good (PG) Monitoring Function	14
2.3 Circuit Description	14
2.3.1 Bidirectional Output Disconnect	14
2.3.2 Transient Response	14
2.3.3 Integrated Anti-Ringing Switch	14
2.3.4 Automatic Bypass Mode (when VIN>VOUT)	14
2.3.5 Soft-Start	14
2.3.6 Output Voltage Programming	14
2.3.7 Testing with Inductive or Active Loads	15
2.3.8 Input Bulk Capacitor	15
Appendix A. Schematic and Layouts	
A.1 Board - Schematic	18
A.2 Board - Top Silk	19
A.3 Board - Top Copper and Silk	19
A.4 Board - Top Copper	20

MIC2877 High-Current Synchronous Boost Regulator Evaluation Board

A.5 Board - Bottom Copper	20
A.6 Board - Bottom Copper and Silk	21
A.7 Board - Bottom Silk	21
Appendix B. Bill of Materials (BOM)	23
Worldwide Sales and Service	25



MIC2877 HIGH-CURRENT SYNCHRONOUS BOOST REGULATOR EVALUATION BOARD

Preface

NOTICE TO CUSTOMERS

All documentation becomes dated, and this manual is no exception. Microchip tools and documentation are constantly evolving to meet customer needs, so some actual dialogs and/or tool descriptions may differ from those in this document. Please refer to our website (www.microchip.com) to obtain the latest documentation available.

Documents are identified with a “DS” number. This number is located on the bottom of each page, in front of the page number. The numbering convention for the DS number is “DSXXXXXXXXA”, where “XXXXXXXX” is the document number and “A” is the revision level of the document.

For the most up-to-date information on development tools, see the MPLAB® IDE online help. Select the Help menu, and then Topics, to open a list of available online help files.

INTRODUCTION

This chapter contains general information that will be useful to know before using the MIC2877 Evaluation Board. Items discussed in this chapter include:

- [Document Layout](#)
- [Conventions Used in this Guide](#)
- [Recommended Reading](#)
- [Recommended Reading](#)
- [The Microchip Web Site](#)
- [Customer Support](#)
- [Document Revision History](#)

DOCUMENT LAYOUT

This document describes how to use the MIC2877 Evaluation Board as a development tool to emulate and debug firmware on a target board. The manual layout is as follows:

- **Chapter 1. “Product Overview”** – Important information about the MIC2877 Evaluation Board.
- **Chapter 2. “Installation and Operation”** – Includes instructions on installing and starting the MIC2877 Evaluation Board.
- **Appendix A. “Schematic and Layouts”** – Shows the schematic and layout diagrams for the MIC2877 Evaluation Board.
- **Appendix B. “Bill of Materials (BOM)”** – Lists the parts used to build the MIC2877 Evaluation Board.

CONVENTIONS USED IN THIS GUIDE

This manual uses the following documentation conventions:

DOCUMENTATION CONVENTIONS

Description	Represents	Examples
Arial font:		
Italic characters	Referenced books	<i>MPLAB® IDE User's Guide</i>
	Emphasized text	...is the <i>only</i> compiler...
Initial caps	A window	the Output window
	A dialog	the Settings dialog
	A menu selection	select Enable Programmer
Quotes	A field name in a window or dialog	"Save project before build"
Underlined, italic text with right angle bracket	A menu path	<u><i>File</i></u> >Save
Bold characters	A dialog button	Click OK
	A tab	Click the Power tab
N'Rnnnn	A number in verilog format, where N is the total number of digits, R is the radix and n is a digit.	4'b0010, 2'hF1
Text in angle brackets < >	A key on the keyboard	Press <Enter>, <F1>
Courier New font:		
Plain Courier New	Sample source code	#define START
	Filenames	autoexec.bat
	File paths	c:\mcc18\h
	Keywords	_asm, _endasm, static
	Command-line options	-Opa+, -Opa-
	Bit values	0, 1
	Constants	0xFF, 'A'
Italic Courier New	A variable argument	<i>file.o</i> , where <i>file</i> can be any valid filename
Square brackets []	Optional arguments	mcc18 [options] <i>file</i> [options]
Curly brackets and pipe character: { }	Choice of mutually exclusive arguments; an OR selection	errorlevel {0 1}
Ellipses...	Replaces repeated text	var_name [, var_name...]
	Represents code supplied by user	void main (void) { ... }

RECOMMENDED READING

This user's guide describes how to use the MIC2877 Evaluation Board. Another useful document is listed below. The following Microchip document is available and recommended as a supplemental reference resource:

MIC2877 Data Sheet – “2MHz Synchronous Low Voltage Step-Up Regulator with 6.5A Switch and Bidirectional Load Disconnect” (DS20005873A)

THE MICROCHIP WEB SITE

Microchip provides online support via our web site at www.microchip.com. This web site is used as a means to make files and information easily available to customers. Accessible by using your favorite Internet browser, the website contains the following information:

- **Product Support** – Data sheets and errata, application notes and sample programs, design resources, user's guides and hardware support documents, latest software releases and archived software
- **General Technical Support** – Frequently Asked Questions (FAQs), technical support requests, online discussion groups, Microchip consultant program member listing
- **Business of Microchip** – Product selector and ordering guides, latest Microchip press releases, listing of seminars and events, listings of Microchip sales offices, distributors and factory representatives

PRODUCT CHANGE NOTIFICATION SERVICE

Microchip's customer notification service helps keep customers current on Microchip products. Subscribers will receive e-mail notifications whenever there are changes, updates, revisions or errata related to a specified product family or development tool of interest.

To register, access the Microchip website at www.microchip.com, click on **Product Change Notification** and follow the registration instructions.

CUSTOMER SUPPORT

Users of Microchip products can receive assistance through several channels:

- Distributor or Representative
- Local Sales Office
- Field Application Engineer (FAE)
- Technical Support

Customers should contact their distributor, representative or field application engineer (FAE) for support. Local sales offices are also available to help customers. A listing of sales offices and locations is included in the back of this document.

Technical support is available through the web site at:
<http://www.microchip.com/support>.

DOCUMENT REVISION HISTORY

Revision A (November 2017)

- Initial Release of this Document.

MIC2877 High-Current Synchronous Boost Regulator Evaluation Board

NOTES:

Chapter 1. Product Overview

1.1 INTRODUCTION

The MIC2877 Evaluation Board demonstrates a compact and highly efficient 2 MHz synchronous boost regulator with a 6.5 switch. It also features a bidirectional true-load disconnect function, which prevents any leakage current between the input and the output when the device is disabled.

MIC2877 automatically operates in bypass mode when the input voltage is higher than the target output voltage. At light loads, the boost converter automatically jumps to PFM mode to improve the efficiency.

In shutdown mode, the regulator typically consumes less than 2 μA . The MIC2877 Evaluation Board also features an integrated anti-ringing switch, in order to minimize EMI, overvoltage and overcurrent protection, UVLO and thermal shutdown.

Figure 1-1 shows the top view of the MIC2877 High-Current Synchronous Boost Regulator Evaluation Board (ADM00831).

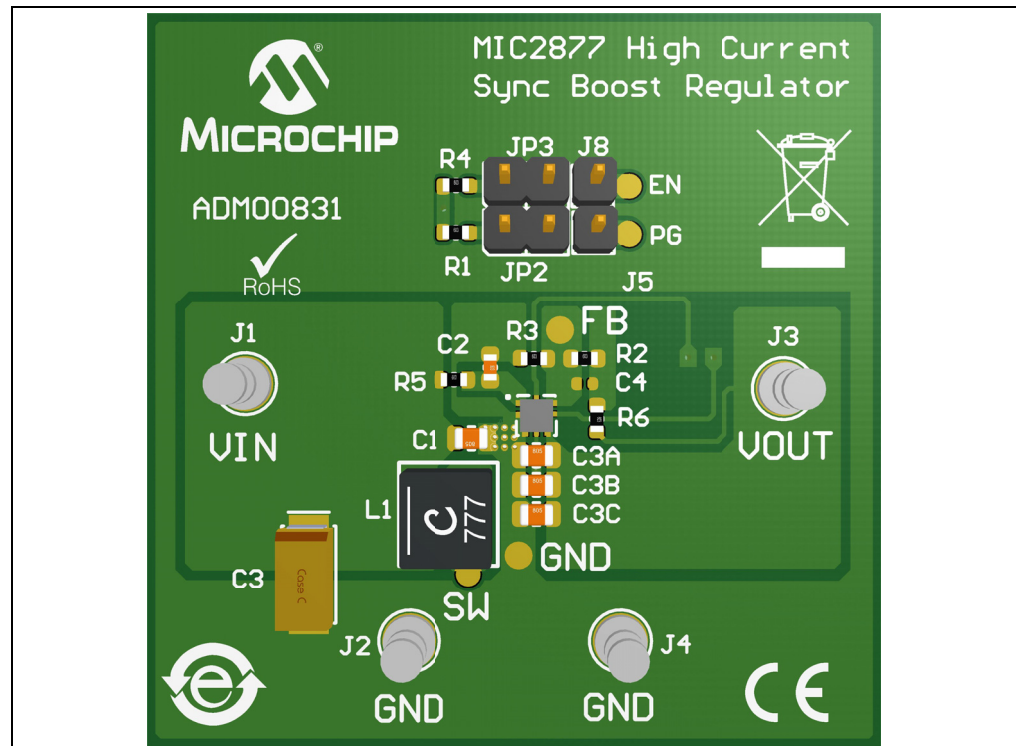


FIGURE 1-1: MIC2877 Evaluation Board Top View.

1.2 MIC2877 EVALUATION BOARD FEATURES

The MIC2877 Evaluation Board has the following features:

- 2.5V to 5.5V input voltage
- Up to 1.5A continuous-load current for $2.5V < V_{IN} < 3.0V$
- Up to 2A continuous-load current for $V_{IN} > 3.0V$
- Up to 95% efficiency
- 2 MHz switching frequency
- Configurable for all four fixed-output voltage versions (4.75V, 5.0V, 5.25V, 5.5V) and for the adjustable version
- Bidirectional true load disconnect
- Automatic bypass mode (when $V_{IN} > V_{OUT}$)
- Soft-start
- Programmable output voltage

1.3 WHAT DOES THE MIC2877 EVALUATION BOARD KIT INCLUDE?

The MIC2877 High-Current Synchronous Boost Regulator Evaluation Board kit includes the following items:

- MIC2877 Evaluation Board (ADM00831)
- Important Information Sheet

Chapter 2. Installation and Operation

2.1 SYSTEM CONFIGURATION AND REQUIREMENTS

The MIC2877 Evaluation Board requires a bench power supply, adjustable from 2.5V to 5.5V, with at least 6.5 current capability, in order to handle the input peak current at heavy load.

CAUTION

The MIC2877 Evaluation Board does not have reverse polarity protection. Applying a negative voltage between the V_{IN} terminal and the ground (GND) terminal can damage the device. The input voltage should not exceed 5.5V.

The input power leads should be as short as possible in order to minimize the inductance and limit the power loss. Input voltage measurements should be made at the V_{IN} and GND terminals to make sure that the voltage-drop on the input power leads are not included.

2.2 GETTING STARTED

2.2.1 Connecting an External Supply to the V_{IN} Terminals

Apply the desired input voltage to the V_{IN} and GND terminals of the MIC2877 Evaluation Board, paying careful attention to polarity and the supply range (2.5V to 5.5V). An ammeter can be placed between the power supply and the input terminal of the MIC2877 Evaluation Board to monitor the input current. Make sure that the supply voltage is monitored at the V_{IN} terminal as the ammeter and/or the power-lead resistance can reduce the voltage supplied to the input.

2.2.2 Connecting a Load to V_{OUT} and GND Terminals

The load connected between the V_{OUT} and GND terminals of the MIC2877 Evaluation Board can be either passive (resistive) or active (electronic load). In case of electronic load, keep the load disabled until the MIC2877 Evaluation Board has been powered up. An ammeter may be placed between the load and the output terminal to monitor the current load. Ensure that the output voltage is monitored across the V_{OUT} and GND terminals.

2.2.3 Enabling and Disabling the MIC2877

The MIC2877 Evaluation Board has an enable (EN) pin (JP3 pin 2). The MIC2877 Evaluation Board is in normal regulation mode when the EN pin is asserted high. Placing a jumper on JP3 connects the EN pin to V_{IN} through a 10 k Ω pull-up resistor. If this pin is driven low, the IC is in shut-down state. This pin has an internal weak pull-down (2.5 M Ω resistor) and should never be left open.

2.2.4 Power-Good (PG) Monitoring Function

A power-good (PG) test pin (JP2 pin 2) is provided for monitoring the power-good function. It is an open drain active high output power-good output. Placing the jumper on JP2 connects the PG pin to V_{IN} through a 1 M Ω pull-up resistor. This pin is asserted high when the output is above the PG threshold (91% of the nominal V_{OUT}).

2.3 CIRCUIT DESCRIPTION

2.3.1 Bidirectional Output Disconnect

The power stage of the MIC2877 consists of an NMOS transistor as the main switch and a PMOS transistor as the synchronous rectifier. A control circuit turns off the back gate diode of the PMOS in order to isolate the output from the input supply when the chip is disabled ($V_{EN} = 0V$).

2.3.2 Transient Response

A 150 μF tantalum capacitor is placed on the MIC2877 Evaluation Board in order to prevent the false UVLO trigger during load transient evaluation (caused by the input voltage dropping under UVLO threshold), especially for low-input voltages and high-load current steps.

2.3.3 Integrated Anti-Ringing Switch

MIC2877 includes an anti-ringing switch, which eliminates the ringing on the SW node of a conventional boost converter operating in the discontinuous conduction mode (DCM). At the end of a switching cycle, during DCM operation, both the NMOS and the PMOS are turned off. The anti-ringing switch in the MIC2877 clamps the SW pin voltage to the input, to dissipate the remaining energy stored in the inductor and the parasitic elements of the power switches.

2.3.4 Automatic Bypass Mode (when $V_{IN} > V_{OUT}$)

The MIC2877 automatically operates in bypass mode when the input voltage is higher than the target output voltage. In bypass mode, the NMOS is turned off while the PMOS is fully turned on to provide a very low impedance path from the input to the output.

2.3.5 Soft-Start

The MIC2877 device integrates an internal soft-start circuit to limit the inrush current during start-up. When the device is enabled, the PMOS is slowly turned on to charge the output capacitor to a voltage close to the input voltage. Then the device starts the boost switching cycles in order to gradually charge up the output voltage to the target V_{OUT} .

2.3.6 Output Voltage Programming

The MIC2877 Evaluation Board supports both the adjustable and the fixed output voltage versions of the device. For the adjustable version, the output voltage can be set by an external resistor divider (R2 and R3). The typical feedback voltage is 900 mV and the recommended maximum output voltage is 5.5V. The current through the resistor divider should be significantly larger than the current into the FB pin (0.01 μA typical). It is recommended that the total resistance of R2 and R3 should be in the order of 1 M Ω or less, for accurate output voltage setting. The appropriate R2 and R3 values for the desired output voltage are calculated as Equation 2-1 shows.

EQUATION 2-1:

$$R2 = R3 \times \left(\frac{V_{OUT}}{0.9V} - 1 \right)$$

Note: If a MIC2877 fixed output voltage version is used, R2 must be shorted and R3 must be removed from the board.

2.3.7 Testing with Inductive or Active Loads

The MIC2877 is designed for on-board power conversion and with on-board loads in mind, where stray inductance is very small. This allows for a very compact solution, with a small amount of input and output capacitance. When testing the MIC2877 remotely, active loads or inductive loads (for instance, load boards with long leads or large rheostats), a Schottky diode (20V, 0.5A-1A ratings) should be added with the anode connected to ground and cathode connected to the output of the MIC2877 Evaluation Board. This is done to prevent the output from being pulled below ground, which can damage the part.

This precaution is particularly important when exercising protections, for example, the thermal shutdown or when exercising any other condition that may trigger protections and shutdown the part. When the protection triggers, the current delivered by the MIC2877 will exhibit a sudden change. If significant inductance is present on the load side or if the current sink capability of the load is maintained down to very low voltages, the output may be pulled below ground by more than 0.3V, exceeding the absolute maximum ratings of the device.

2.3.8 Input Bulk Capacitor

A similar phenomenon may also endanger the part from the input side, especially when testing with high-input voltages. Long power-supply leads are inductive. When the protection triggers, or when the load drops very rapidly in normal conditions, the current consumption of the MIC2877 will also exhibit a sudden change. The lead inductance will discharge into the input capacitor, causing the input voltage to rise. If the input capacitance at the MIC2877 is too small, the input voltage spike may rise to a point where the device is damaged. This is the reason why some extra bulk capacitance is provided at the input side of the MIC2877 Evaluation Board. If the input supply to the MIC2877 has some significant stray inductance and it is close to the maximum rating, the input bulk capacitor is mandatory. Its value can be increased as needed to keep the overvoltage within the safe limits. Since the current change through the MIC2877 is instantaneous, the ESR of the input bulk capacitor should also be small.

NOTES:



MIC2877 HIGH-CURRENT SYNCHRONOUS BOOST REGULATOR EVALUATION BOARD

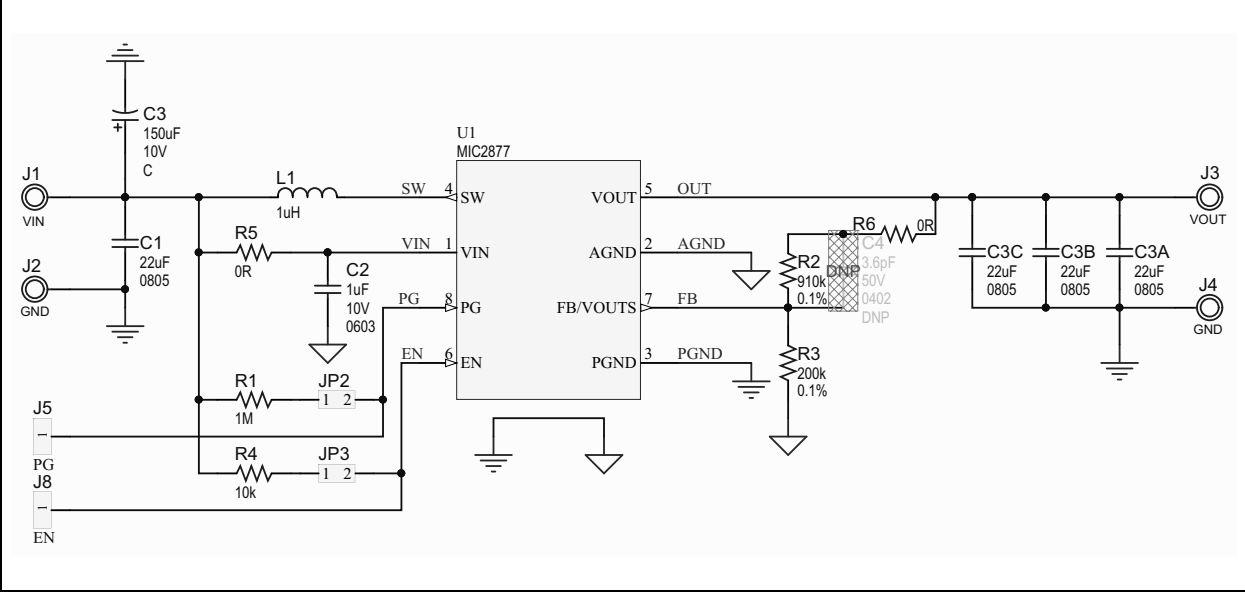
Appendix A. Schematic and Layouts

This appendix contains the following schematics and layouts for the MIC2877 Evaluation Board (ADM00831).

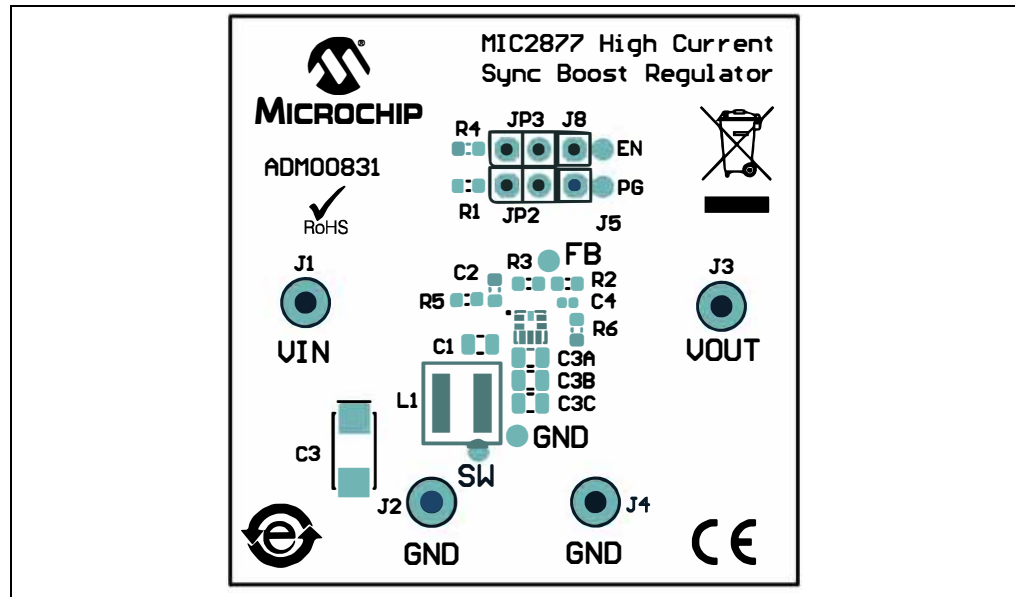
- Board - Schematic
- Board - Top Silk
- Board - Top Copper and Silk
- Board - Top Copper
- Board - Bottom Copper
- Board - Bottom Copper and Silk
- Board - Bottom Silk

MIC2877 High-Current Synchronous Boost Regulator Evaluation Board

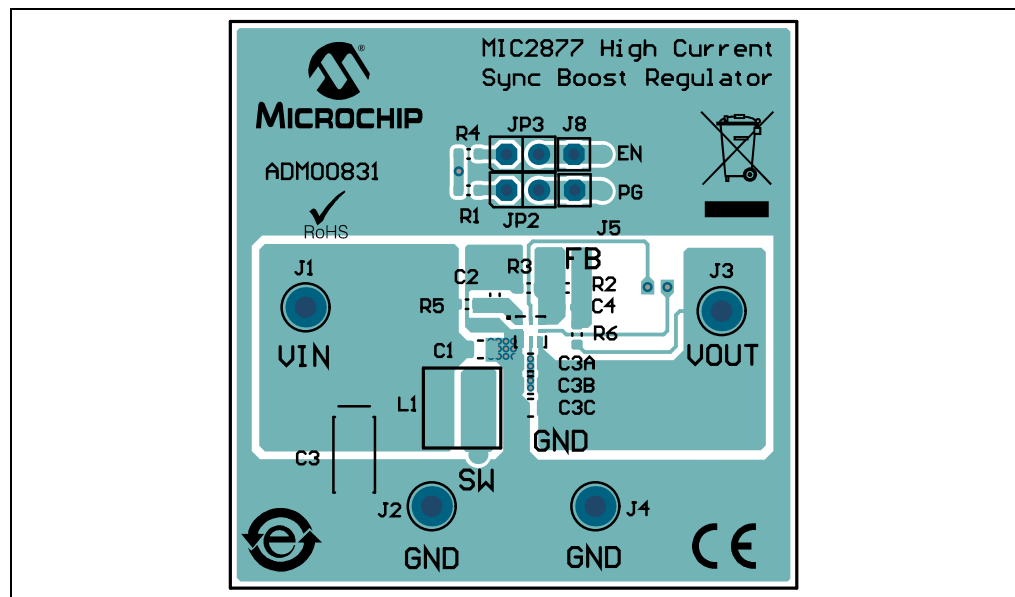
A.1 BOARD - SCHEMATIC



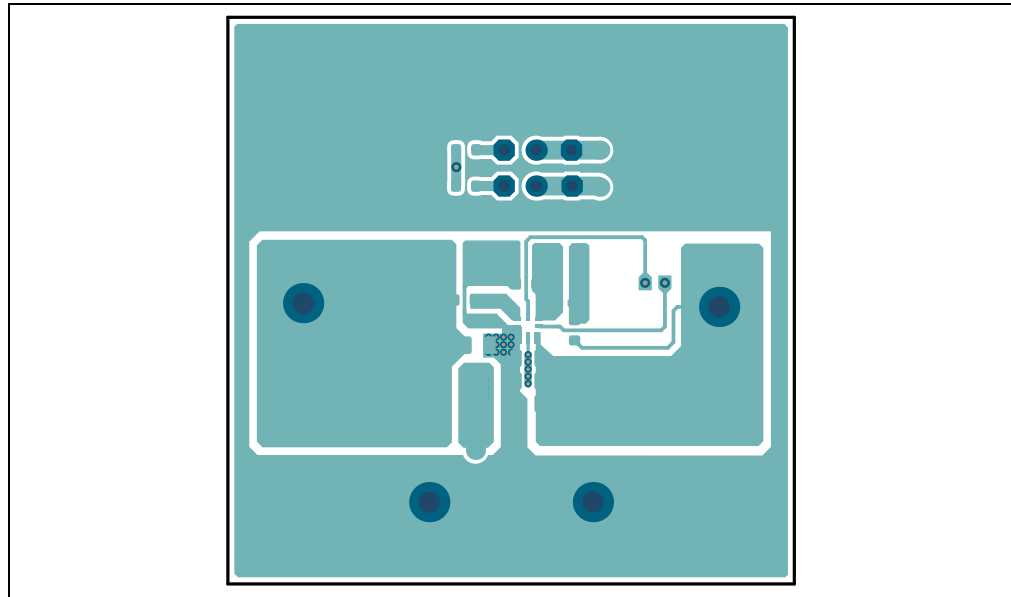
A.2 BOARD - TOP SILK



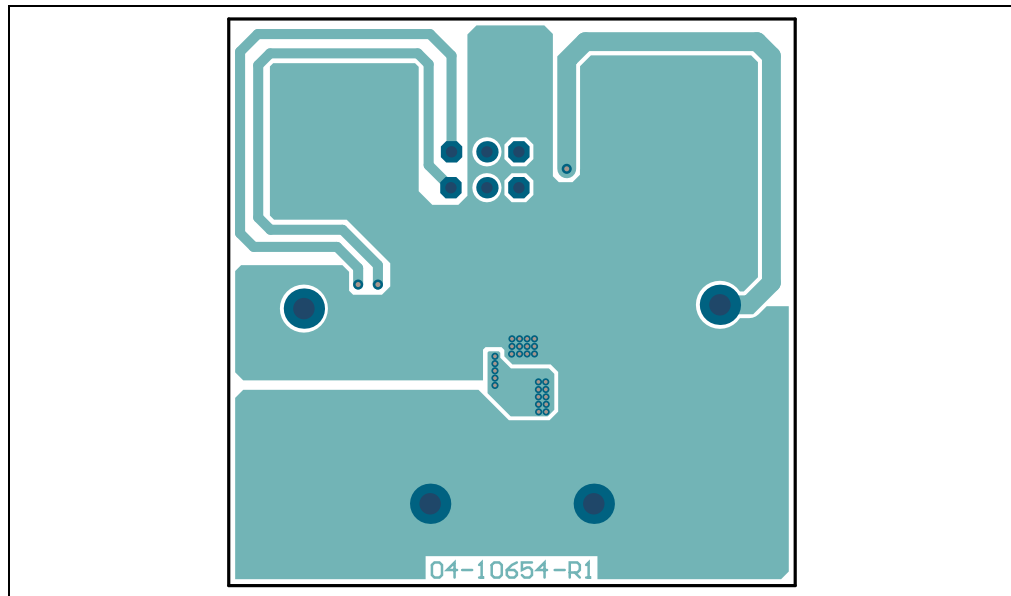
A.3 BOARD - TOP COPPER AND SILK



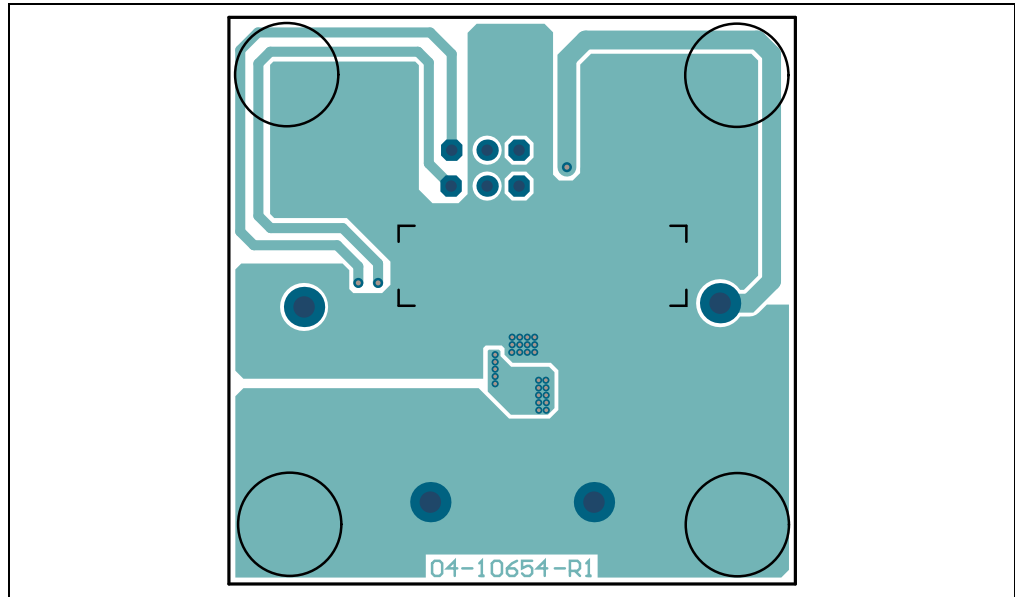
A.4 BOARD - TOP COPPER



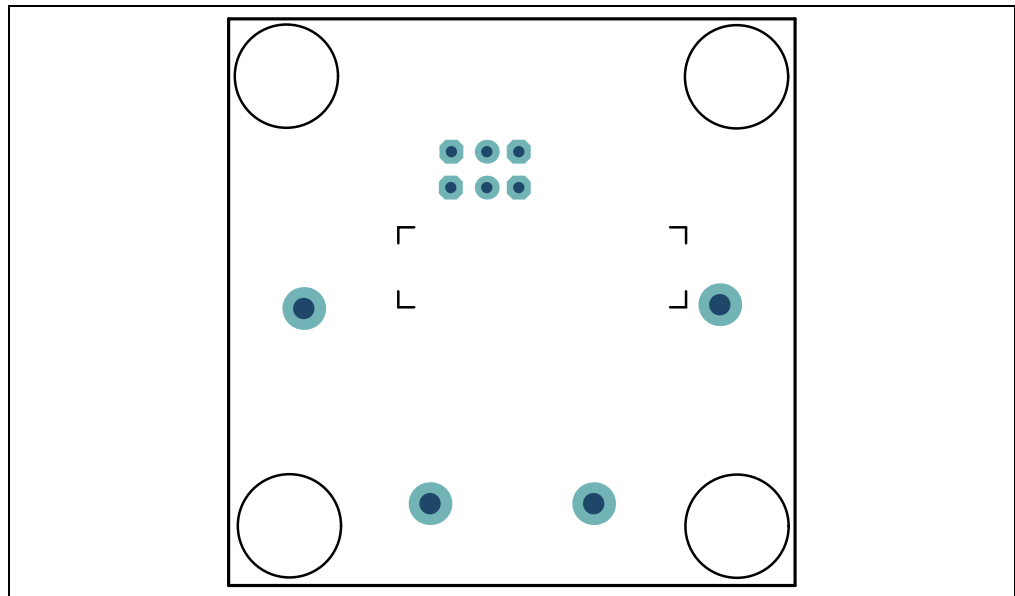
A.5 BOARD - BOTTOM COPPER



A.6 BOARD - BOTTOM COPPER AND SILK



A.7 BOARD - BOTTOM SILK



MIC2877 High-Current Synchronous Boost Regulator Evaluation Board

NOTES:

Appendix B. Bill of Materials (BOM)

TABLE B-1: MIC2877 HIGH-CURRENT SYNCHRONOUS BOOST REGULATOR EVALUATION BOARD - BILL OF MATERIALS (BOM)

Qty.	Reference	Description	Manufacturer	Part Number
4	C1, C3A, C3B, C3C	Capacitor Ceramic, 22 μ F, 10V, 20%, X5R, SMD, 0805	Taiyo Yuden Co., Ltd.	LMK212BJ226MG-T
1	C2	Capacitor Ceramic, 1 μ F, 10V, 10%, X5R, SMD, 0603	Murata Manufacturing Co., Ltd.	GRM188R61A105KA61D
1	C3	Capacitor Tantalum, 150 μ F, 20%, 10V, SMD, C	KEMET	T520C157M010ATE055
2	JP2, JP3	CON, HDR-2.54, Male, 1x2, Tin, 6.10 MH, TH, VERT	Molex [®]	0022284020
2	JP2, JP3	Mechanical HW Jumper, 2.54 mm, 1x2, Phosphor Bronze, with Handle	Jameco [®] Electronics	2012JH-R
1	L1	Inductor, 1 μ H, 11.1A, 20%, SMD, L5.28, W5.48, H3.1	Coilcraft	XAL5030-102MEC
1	LABEL1	Label, Assy W/Rev Level (Small Modules) Per MTS-0002	—	—
4	PAD1, PAD2, PAD3, PAD4	Mechanical HW Rubber Pad, Cylindrical, D7.9, H5.3, Black	3M	SJ61A11
1	PCB1	Printed Circuit Board - MIC2877 Evaluation Board	Microchip Technology Inc.	04-10654-R1
1	R1	Resistor TKF, 1M, 5%, 1/10W, SMD, 0603	Panasonic [®] - ECG	ERJ-3GEYJ105V
2	R5, R6	Resistor TKF, 0R, 1/10W, SMD, 0603	Panasonic [®] - ECG	ERJ-3GSY0R00V
1	R4	Resistor TKF, 10k, 5%, 1/10W, SMD, 0603	Panasonic [®] - ECG	ERJ-3GEYJ103V
1	R2	Resistor TF, 910k, 0.1%, 1/16W, SMD, 0603	TE Connectivity, Ltd.	CPF0603B910KE1
1	R3	Resistor TF, 200k, 0.1%, 1/10W, SMD, 0603	Panasonic [®] - ECG	ERA-3AEB204V
8	J1, J2, J3, J4	CON TP, Pin, Tin, TH	Harwin Plc.	H2121-01
1	U1	MCHP Analog Switcher Boost, 3V, to 5.5V, MIC2877AYFT, FTQFN-8	Microchip Technology Inc.	MIC2877AYFT
0	C4	Capacitor Ceramic, 10 pF, 25V, 10%, NP0, SMD, 0603	AVX Corporation	06033A100KAT2A

Note 1: The components listed in this Bill of Materials are representative of the PCB assembly. The released BOM used in manufacturing uses all RoHS-compliant components.

2: MIC2877 Evaluation Board is populated by default with the adjustable output voltage chip version (MIC2877-AYFT-TR). If one of the four fixed output voltage chip versions (MIC2877-4.75YFT-TR, MIC2877-5.0YFT-TR, MIC2877-5.25YFT-TR, MIC2877-5.5YFT-TR) is used, R5 must be replaced with a 0 Ω resistor, while R6 must be removed from the MIC2877 Evaluation Board.

MIC2877 High-Current Synchronous Boost Regulator Evaluation Board

TABLE B-2: DO NOT POPULATE

Qty.	Reference	Description	Manufacturer	Part Number
1	C4	Capacitor Ceramic, 10 pF, 25V, 10%, NPO, SMD, 0603	AVX Corporation	06033A100KAT2A

- Note 1:** The components listed in this Bill of Materials are representative of the PCB assembly. The released BOM used in manufacturing uses all RoHS-compliant components.
- 2:** MIC2877 Evaluation Board is populated by default with the adjustable output voltage chip version (MIC2877-AYFT-TR). If one of the four fixed output voltage chip versions (MIC2877-4.75YFT-TR, MIC2877-5.0YFT-TR, MIC2877-5.25YFT-TR, MIC2877-5.5YFT-TR) is used, R5 must be replaced with a 0 Ω resistor, while R6 must be removed from the MIC2877 Evaluation Board.



MICROCHIP

Worldwide Sales and Service

AMERICAS

Corporate Office
2355 West Chandler Blvd.
Chandler, AZ 85224-6199
Tel: 480-792-7200
Fax: 480-792-7277
Technical Support:
<http://www.microchip.com/support>
Web Address:
www.microchip.com

Atlanta

Duluth, GA
Tel: 678-957-9614
Fax: 678-957-1455

Austin, TX

Tel: 512-257-3370

Boston

Westborough, MA
Tel: 774-760-0087
Fax: 774-760-0088

Chicago

Itasca, IL
Tel: 630-285-0071
Fax: 630-285-0075

Dallas

Addison, TX
Tel: 972-818-7423
Fax: 972-818-2924

Detroit

Novi, MI
Tel: 248-848-4000

Houston, TX

Tel: 281-894-5983

Indianapolis

Noblesville, IN
Tel: 317-773-8323
Fax: 317-773-5453
Tel: 317-536-2380

Los Angeles

Mission Viejo, CA
Tel: 949-462-9523
Fax: 949-462-9608
Tel: 951-273-7800

Raleigh, NC

Tel: 919-844-7510

New York, NY

Tel: 631-435-6000

San Jose, CA

Tel: 408-735-9110
Tel: 408-436-4270

Canada - Toronto

Tel: 905-695-1980
Fax: 905-695-2078

ASIA/PACIFIC

Australia - Sydney
Tel: 61-2-9868-6733

China - Beijing
Tel: 86-10-8569-7000

China - Chengdu
Tel: 86-28-8665-5511

China - Chongqing
Tel: 86-23-8980-9588

China - Dongguan
Tel: 86-769-8702-9880

China - Guangzhou
Tel: 86-20-8755-8029

China - Hangzhou
Tel: 86-571-8792-8115

China - Hong Kong SAR
Tel: 852-2943-5100

China - Nanjing
Tel: 86-25-8473-2460

China - Qingdao
Tel: 86-532-8502-7355

China - Shanghai
Tel: 86-21-3326-8000

China - Shenyang
Tel: 86-24-2334-2829

China - Shenzhen
Tel: 86-755-8864-2200

China - Suzhou
Tel: 86-186-6233-1526

China - Wuhan
Tel: 86-27-5980-5300

China - Xian
Tel: 86-29-8833-7252

China - Xiamen
Tel: 86-592-2388138

China - Zhuhai
Tel: 86-756-3210040

ASIA/PACIFIC

India - Bangalore
Tel: 91-80-3090-4444

India - New Delhi
Tel: 91-11-4160-8631

India - Pune
Tel: 91-20-4121-0141

Japan - Osaka
Tel: 81-6-6152-7160

Japan - Tokyo
Tel: 81-3-6880-3770

Korea - Daegu
Tel: 82-53-744-4301

Korea - Seoul
Tel: 82-2-554-7200

Malaysia - Kuala Lumpur
Tel: 60-3-7651-7906

Malaysia - Penang
Tel: 60-4-227-8870

Philippines - Manila
Tel: 63-2-634-9065

Singapore
Tel: 65-6334-8870

Taiwan - Hsin Chu
Tel: 886-3-577-8366

Taiwan - Kaohsiung
Tel: 886-7-213-7830

Taiwan - Taipei
Tel: 886-2-2508-8600

Thailand - Bangkok
Tel: 66-2-694-1351

Vietnam - Ho Chi Minh
Tel: 84-28-5448-2100

EUROPE

Austria - Wels
Tel: 43-7242-2244-39
Fax: 43-7242-2244-393

Denmark - Copenhagen
Tel: 45-4450-2828
Fax: 45-4485-2829

Finland - Espoo
Tel: 358-9-4520-820

France - Paris
Tel: 33-1-69-53-63-20
Fax: 33-1-69-30-90-79

Germany - Garching
Tel: 49-8931-9700

Germany - Haan
Tel: 49-2129-3766400

Germany - Heilbronn
Tel: 49-7131-67-3636

Germany - Karlsruhe
Tel: 49-721-625370

Germany - Munich
Tel: 49-89-627-144-0
Fax: 49-89-627-144-44

Germany - Rosenheim
Tel: 49-8031-354-560

Israel - Ra'anana
Tel: 972-9-744-7705

Italy - Milan
Tel: 39-0331-742611
Fax: 39-0331-466781

Italy - Padova
Tel: 39-049-7625286

Netherlands - Drunen
Tel: 31-416-690399
Fax: 31-416-690340

Norway - Trondheim
Tel: 47-7289-7561

Poland - Warsaw
Tel: 48-22-3325737

Romania - Bucharest
Tel: 40-21-407-87-50

Spain - Madrid
Tel: 34-91-708-08-90
Fax: 34-91-708-08-91

Sweden - Gothenberg
Tel: 46-31-704-60-40

Sweden - Stockholm
Tel: 46-8-5090-4654

UK - Wokingham
Tel: 44-118-921-5800
Fax: 44-118-921-5820