



Chipsmall Limited consists of a professional team with an average of over 10 year of expertise in the distribution of electronic components. Based in Hongkong, we have already established firm and mutual-benefit business relationships with customers from,Europe,America and south Asia,supplying obsolete and hard-to-find components to meet their specific needs.

With the principle of "Quality Parts,Customers Priority,Honest Operation,and Considerate Service",our business mainly focus on the distribution of electronic components. Line cards we deal with include Microchip,ALPS,ROHM,Xilinx,Pulse,ON,Everlight and Freescale. Main products comprise IC,Modules,Potentiometer,IC Socket,Relay,Connector.Our parts cover such applications as commercial,industrial, and automotives areas.

We are looking forward to setting up business relationship with you and hope to provide you with the best service and solution. Let us make a better world for our industry!



Contact us

Tel: +86-755-8981 8866 Fax: +86-755-8427 6832

Email & Skype: info@chipsmall.com Web: www.chipsmall.com

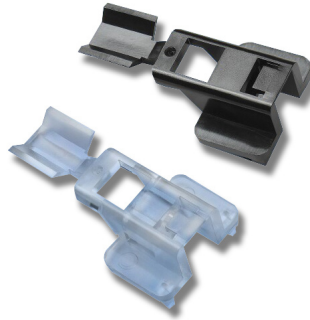
Address: A1208, Overseas Decoration Building, #122 Zhenhua RD., Futian, Shenzhen, China



ADNS-2220
Solid-State Optical Mouse
LED Assembly Clip



Data Sheet



Description

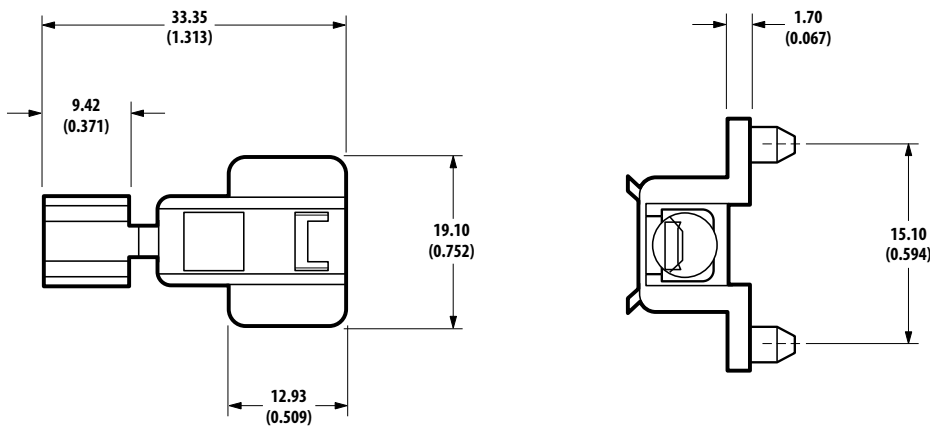
The ADNS-2220 and ADNS-2220-001 LED Assembly Clip is designed to provide optical and mechanical coupling of a standard T 1³/₄ (5 mm diameter) LED to the ADNS-2120/2120-001/3120-001 Solid State Optical Mouse Lens. This coupling is essential to achieve the proper illumination required for the sensor to operate on a wide variety of surfaces. The clip also provides a mechanical compression feature which locates over these lens options and is used to ensure that a light mechanical contact is always maintained between the sensor and the lens when assembled. The inner surface of the top case of the mouse housing should be designed to lightly compress this feature when the case is closed at final assembly.

Ordering Information

Specify Part Number as follows:

Color	Part Number	Material
Black	ADNS-2220	Polymer
Clear	ADNS-2220-001	Polymer

Package Dimensions



NOTE: DIMENSIONS IN MILLIMETERS (INCHES).

For product information and a complete list of distributors, please go to our website: www.avagotech.com

Avago, Avago Technologies, and the A logo are trademarks of Avago Technologies in the United States and other countries.

Data subject to change. Copyright © 2005-2008 Avago Technologies. All rights reserved. Obsoletes 5989-1239EN

AV02-1515EN - September 9, 2008